

## STANDARDS ASSOCIATION OF AUSTRALIA.

Headquarters :

Science House, Gloucester and Essex Streets, Sydney.

AUSTRALIAN STANDARD SPECIFICATION FOR AIRCRAFT MATERIAL  
(Emergency Series)COUNTERSUNK HEAD RIVETS  
(ALUMINIUM ALLOY)

*This standard forms one of a series prepared by the Standards Association of Australia at the request of Departments of the Commonwealth Government for use in relation to the supply of materials required for defence purposes. In appropriate cases these specifications will be reviewed for inclusion in the normal series of Australian standards.*

(The order shall state the Part Number of the Rivets required.)

1. **Material.** All rivets shall be made from bars or wires complying with the requirements of British Air Ministry Material Specification No. D.T.D.327\*.
2. **Freedom from Defects.**
  - (a) All rivets shall be free from defects.
  - (b) Any rivets may be rejected for faults in manufacture or incorrectness of dimensions, notwithstanding that the bars or wires from which they were manufactured have been passed previously as conforming with Clause 1 of this specification.
3. **Dimensions and Tolerances.** All rivets shall be in accordance with the dimensions and tolerances given in Table I.
4. **Heat-Treatment.** All rivets shall be supplied in the finally heat-treated condition.
5. **Identification.** All aluminium alloy rivets to this specification shall have an identification dimple, as shown in Fig. 1, stamped in the head.
6. **Marking.** Rivets of the same size, passed by the inspector, shall be made into parcels which shall bear a tag stamped with the mark of the inspector, the number of this specification and the part number as given in Table II.

\*No. D.T.D.327 has been endorsed without amendment as A.S. No. (E)D.634.

*For the purposes of this specification as an Australian standard the term "Inspector" shall be interpreted in the manner directed by the Australian Airworthiness Authority concerned.*

This specification, prepared by the Special Committee on Aircraft Materials and Components, was approved on behalf of the Council of the Association on 4th December, 1941.

## NOTE.

In order to keep abreast of progress in the industries concerned, Australian standards are subject to periodical review. Suggestions for improvement, addressed to the Headquarters of the Association, will be welcomed.

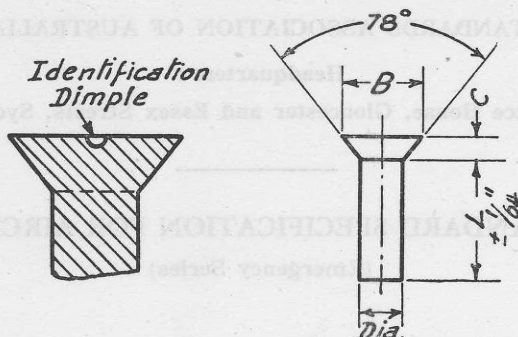


FIG. 1.

TABLE I.

Diameter in.	$\frac{1}{16}$	$\frac{3}{32}$	$\frac{1}{8}$	$\frac{5}{32}$	$\frac{3}{16}$	$\frac{7}{32}$	$\frac{1}{4}$
Tolerance on Dia. in.	$\pm .0035$	$+ .004$ $- .003$	$+ .005$ $- .004$	$+ .005$ $- .004$	$+ .006$ $- .005$	$+ .006$ $- .005$	$+ .008$ $- .006$
B in.	.113 $\pm .010$	.170 $\pm .010$	.226 $\pm .010$	.282 $\pm .010$	.340 $\pm .010$	.395 $\pm .010$	.452 $\pm .010$
C in.	.031	.047	.062	.078	.094	.109	.125

TABLE II.

Part Numbers.

Length in.	Diameter (in.)						
	$\frac{1}{16}$	$\frac{3}{32}$	$\frac{1}{8}$	$\frac{5}{32}$	$\frac{3}{16}$	$\frac{7}{32}$	$\frac{1}{4}$
$\frac{1}{8}$	B2-2						
$\frac{3}{16}$	B2-3	B3-3					
$\frac{1}{4}$	B2-4	B3-4	B4-4	B5-4			
$\frac{5}{16}$	B2-5	B3-5	B4-5	B5-5			
$\frac{3}{8}$	B2-6	B3-6	B4-6	B5-6	B6-6		
$\frac{7}{16}$	B2-7	B3-7	B4-7	B5-7	B6-7	B7-7	
$\frac{1}{2}$	B2-8	B3-8	B4-8	B5-8	B6-8	B7-8	B8-8
$\frac{9}{16}$	B2-9	B3-9	B4-9	B5-9	B6-9	B7-9	B8-9
$\frac{5}{8}$	B2-10	B3-10	B4-10	B5-10	B6-10	B7-10	B8-10
$\frac{11}{16}$	B2-11	B3-11	B4-11	B5-11	B6-11	B7-11	B8-11
$\frac{3}{4}$	B2-12	B3-12	B4-12	B5-12	B6-12	B7-12	B8-12
$\frac{13}{16}$	B2-13	B3-13	B4-13	B5-13	B6-13	B7-13	B8-13
$\frac{7}{8}$	B2-14	B3-14	B4-14	B5-14	B6-14	B7-14	B8-14
$\frac{15}{16}$	B2-15	B3-15	B4-15	B5-15	B6-15	B7-15	B8-15
1	B2-16	B3-16	B4-16	B5-16	B6-16	B7-16	B8-16
$1\frac{1}{8}$		B3-18	B4-18	B5-18	B6-18	B7-18	B8-18
$1\frac{1}{4}$		B3-20	B4-20	B5-20	B6-20	B7-20	B8-20
$1\frac{3}{8}$		B3-22	B4-22	B5-22	B6-22	B7-22	B8-22
$1\frac{1}{2}$		B3-24	B4-24	B5-24	B6-24	B7-24	B8-24
$1\frac{3}{4}$						B7-28	B8-28
2							B8-32

NOTE : The first number of the part number denotes the diameter in 32nds of an inch. The second number of the part number denotes the length in 16ths of an inch.