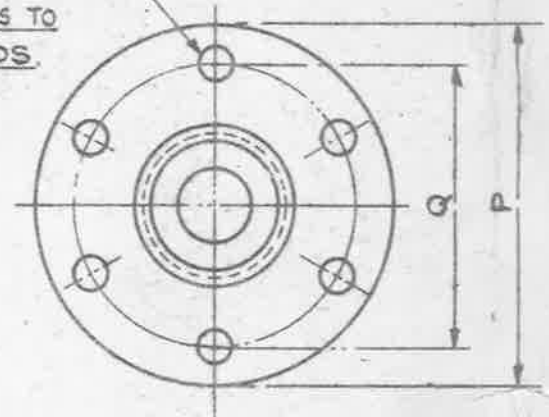
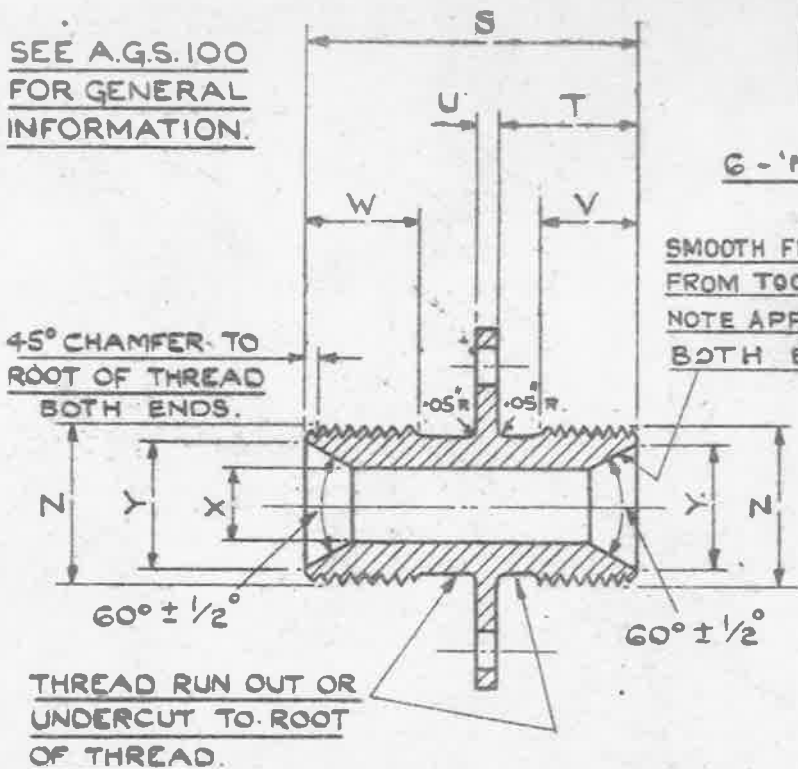


SEE A.G.S. 100 FOR GENERAL INFORMATION.



MARK	DIA OF PIPE	Z	Y	X	FULL W THREAD	FULL V THREAD	U	T	S	Q	P	N
		B.S.P. THREAD	±.005"	DIA. DRILL	±.01"	±.01"	+ .01" - 0	+ .01" - 0	±.01"	±.005"	±.01"	DIA. DRILL
A	3/16"	1/8"	.295"	3/32"	.35"	.33"	.06"	.47"	1.35"	.80"	1.10"	5/32"
B	1/4"	1/4"	.41"	5/32"	.40"	.35"	.08"	.52"	1.45"	1.00"	1.30"	5/32"
BB	5/16"	15 T.P.I. WHIT FORM 60% O/O	.48"	1/16"	.45"	.40"	.08"	.57"	1.51"	1.20"	1.50"	5/32"
C	3/8"	3/8"	.55"	1/4"	.45"	.40"	.08"	.59"	1.62"	1.30"	1.65"	13/64"
CC	7/16"	14 T.P.I. WHIT FORM 75% O/O	.60"	5/16"	.50"	.45"	.10"	.67"	1.84"	1.40"	1.75"	13/64"
D	1/2"	1/2"	.69"	3/8"	.55"	.53"	.10"	.75"	1.94"	1.50"	1.85"	13/64"
E	5/8"	5/8"	.76"	1/2"	.60"	.55"	.12"	.78"	2.02"	1.60"	1.95"	13/64"
F	3/4"	3/4"	.90"	5/8"	.60"	.55"	.12"	.78"	2.04"	1.70"	2.05"	13/64"
G	7/8"	7/8"	1.04"	3/4"	.70"	.65"	.15"	.88"	2.27"	1.85"	2.20"	13/64"
H	1"	1"	1.13"	7/8"	.75"	.70"	.15"	.98"	2.40"	2.05"	2.40"	13/64"
J	1 1/4"	1 1/4"	1.45"	1 1/8"	.75"	.70"	.20"	.98"	2.48"	2.30"	2.65"	13/64"
K	1 1/2"	1 1/2"	1.68"	1 3/8"	.75"	.70"	.20"	.98"	2.48"	2.55"	2.90"	13/64"

THE MATERIAL TO BE LIGHT ALLOY TO D.T.D. 423. (LATEST ISSUE).

NOTES :- SCREW THREADS TO B.S. SPEC. N° 84 - 1940, MEDIUM FIT, & MEDIUM TRUNCATED THREADS TO AMENDMENT N° 3 - 1945.

FINISH :- TO BE ANODISED TO SPEC D.T.D. 910 (LATEST ISSUE).

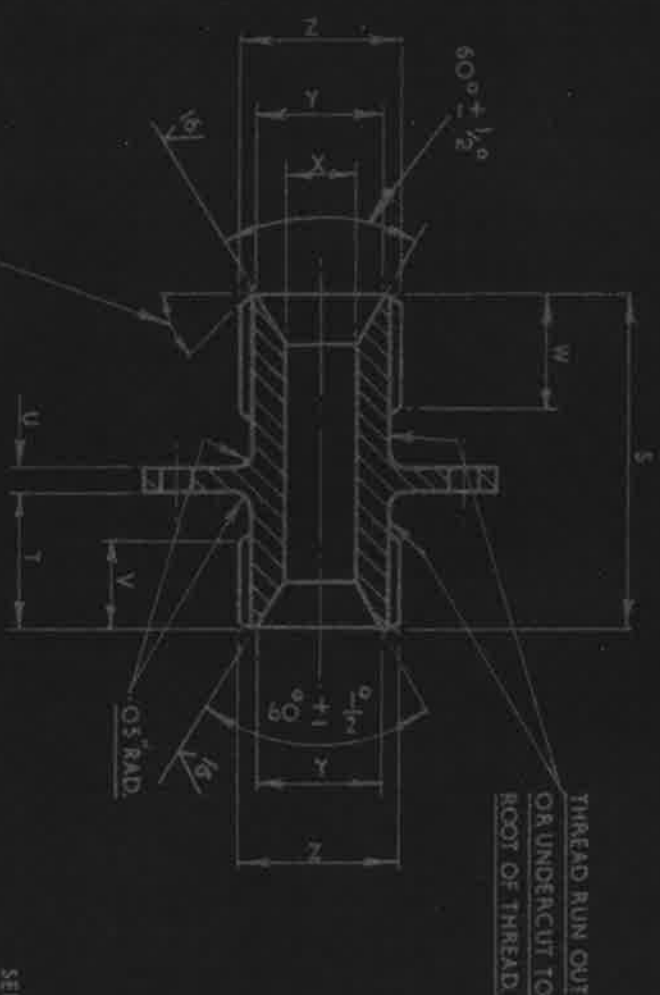
WORKING PRESSURES :- 3,000 LB/SQ. IN. FOR SIZES UP TO 1/2" B.S.P.

500 LB/SQ. IN FOR SIZES 5/8" TO 1" B.S.P.

200 LB/SQ. IN. FOR SIZES 1 1/4" & 1 1/2" B.S.P.

WITH MARK	A	B	BB	C	CC	D	E	F	G	H	J	K
WASHER PLATE USE A.G.S. N° 1115	MARK 1	MARK 2	MARK 3	MARK 4	MARK 5	MARK 6	MARK 7	MARK 8	MARK 9	MARK 10	MARK 12	MARK 13
ISSUED BY ROYAL AIRCRAFT ESTABLISHMENT	TITLE:- PIPE COUPLINGS, (LIGHT ALLOY), FLANGED BULKHEAD UNION BODY. 3/8" to 1 1/2"						DRAWN C.T. Reynolds			TRACED H.W. 20-10-41		
	ISSUE N°	1	2	3	4	4			CHECKED	APPROVED		
	ALTER N°	MOD 1	A.S. N° 186/449	AS/AGS 417	AS/AGS 663	AS/AGS 988	SM 856					

ISSUE	ALT. No.
6	F. 2.
7	E. 46
8	F. 96
9	F. 101
10	E. 125



SEE A.G.S. J100 FOR GENERAL INFORMATION.  
 B.S.P.F. THREADS TO B.S. SPEC. 3779 MEDIUM FIT TRUNCATED.  
 WORKING PRESSURES: 5000 L.B./SQ. IN. FOR SIZES UP TO 1" B.S.P.F.  
 3000 L.B./SQ. IN. FOR SIZES 1 1/8" TO 1 3/4" B.S.P.F.  
 1000 L.B./SQ. IN. FOR SIZES 1 7/8" TO 2" B.S.P.F.  
 FOR GENERAL ARRANGEMENT SEE A.G.S. N2.1110.

USED ON	DRAWN	TRACED	CHECKED	APPROVED FOR	DATE
	F.A.C.	F.A.C.	F.A.C.	<i>S.B.A.</i>	27.1.58

ISSUED BY THE SOCIETY OF BRITISH AEROSPACE COMPANIES LTD.,  
 29, KING STREET, ST. JAMES'S, LONDON, S.W.1.

REF.	DRAWING OR PART No.	DESCRIPTION	LIMITS NOT SHOWN	MATERIAL - REMARKS
		ALUMM. ALLOY		L.85.

HT	PT	R.S.I.I.6 NO. PAINT	SCALE	LIMITS NOT SHOWN	THIRD ANGLE PROJECTION

SM2027

AGS. III2 - SHEET 2.

MARK	O/DIA OF PIPE	N DRILL DIA	P	Q	S	T	U	V FULL THREAD	W FULL THREAD	X DRILL DIA	Y	Z B.S.P.F. THREAD	WASHER PLATE AGS. III5 MARK
A	3/16	5/32	1.110"	.805"	1.360"	.480"	.070"	.340"	.560"	3/32	.500"	1/8	1
B	1/4	5/32	1.310"	.795"	1.340"	.470"	.060"	.320"	.540"	3/32	.290"	1/8	1
BB	5/16	5/32	1.290"	.995"	1.440"	.520"	.080"	.340"	.390"	5/32	.415"	1/4	2
C	3/8	1/2	1.510"	1.205"	1.520"	.580"	.090"	.410"	.460"	1/2	.485"	1/2	3
CC	7/16	1/2	1.660"	1.295"	1.610"	.600"	.090"	.390"	.440"	1/2	.475"	1/2	3
D	1/2	1/2	1.760"	1.405"	1.850"	.680"	.110"	.460"	.510"	1/2	.605"	1/2	4
E	5/8	1/2	1.860"	1.495"	1.930"	.760"	.100"	.440"	.490"	1/2	.595"	1/2	5
F	3/4	1/2	1.960"	1.605"	2.030"	.790"	.130"	.540"	.600"	1/2	.695"	1/2	6
G	7/8	1/2	2.060"	1.705"	2.050"	.790"	.120"	.560"	.610"	1/2	.765"	1/2	7
H	1"	1/2	2.040"	1.695"	2.030"	.780"	.120"	.540"	.590"	1/2	.755"	1/2	8
I	1 1/8	1/2	2.210"	1.855"	2.280"	.890"	.150"	.660"	.710"	1/2	.905"	1/2	9
J	1 1/4	1/2	2.410"	2.035"	2.410"	.990"	.160"	.710"	.760"	1/2	1.135"	1"	10
K	1 1/2	1/2	2.660"	2.305"	2.490"	.990"	.210"	.710"	.760"	1/2	1.455"	1 1/4	12
			2.640"	2.295"	2.470"	.980"	.200"	.690"	.740"	1/2	1.445"	1 1/4	12
			2.910"	2.555"	2.490"	.990"	.210"	.710"	.760"	1/2	1.685"	1 1/2	13
			2.890"	2.545"	2.470"	.980"	.200"	.690"	.740"	1/2	1.675"	1 1/2	13

DESIGNED BY: [ ] DRAWN BY: [ ] CHECKED BY: [ ]

DATE: [ ]

SCALE: [ ]

DESCRIPTION: PIPE COUPLINGS (ALUMINUM ALLOY) FLANGED BURKHEAD UNION BODY 3/8" TO 1 1/2"

MATERIAL - REMARKS:

AGS. III2 - SHEET 2.