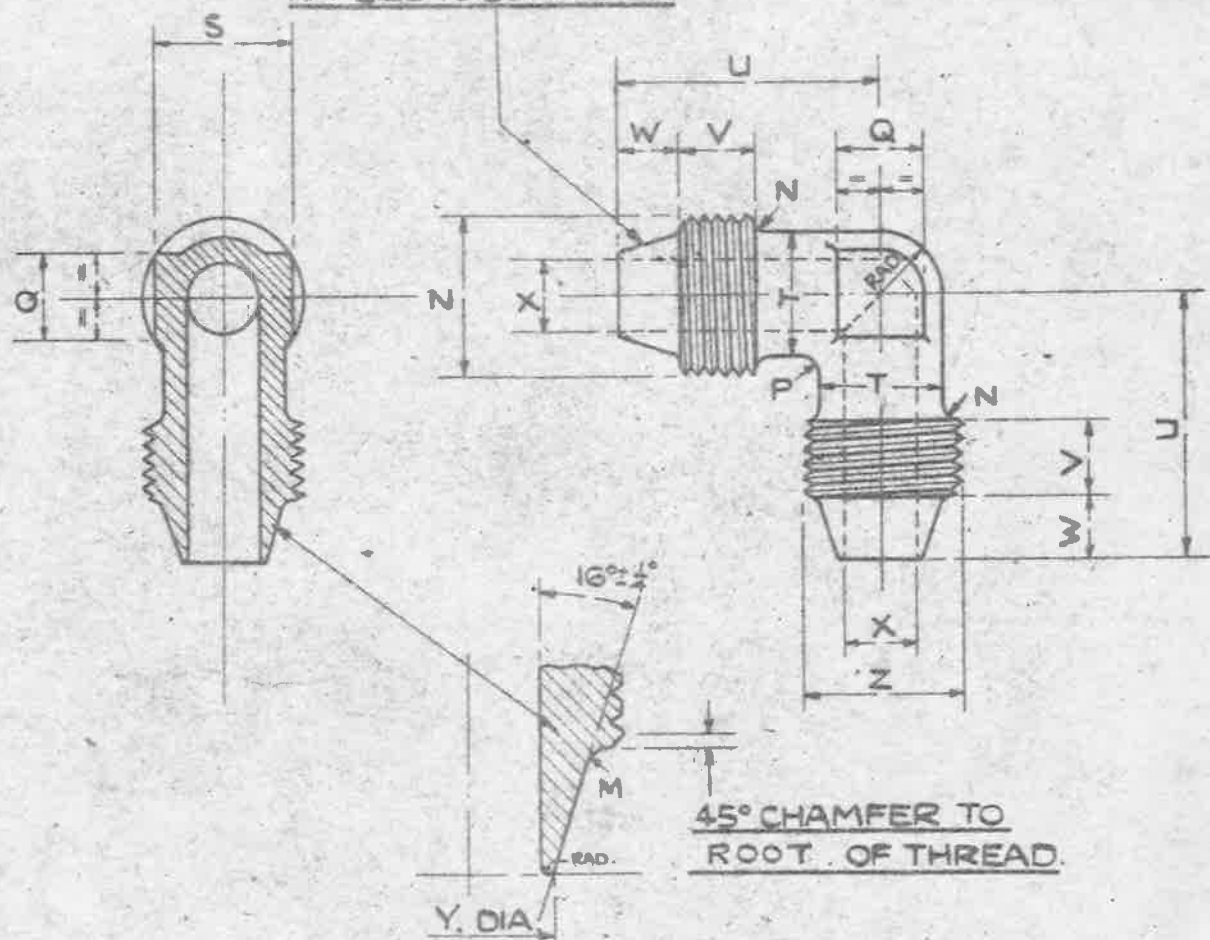


SEE A.G.S. 100
FOR GENERAL
INFORMATION.

SMOOTH FINISH
FREE FROM TOOL
MARKS. NOTE
APPLIES TO BOTH ENDS.

MINISTRY OF
SUPPLY AGS No. 1116
SHEET No. 1 No. OF SHEETS 1



ENLARGED VIEW OF ENDS.

MARK	% OF PIPE	Z	Y	X	W	V	U	T	S	Q	P RAD.	N RAD.	M RAD.
		B.S.P THREAD	+0.010 -0	DIA. DRILL	+0.01' -0	±0.01'	±0.01'	+0.04' -0.01'	MIN. MAX.	±0.01"			
A	3/16"	1/8"	.160'	3/32"	.22'	.30'	.90'	.28'	.321" .324"	.20"	.06'	.04'	.03'
B	1/4"	1/4"	.224'	5/32"	.28'	.30'	1.05'	.37'	.410" .413"	.25"	.06'	.05'	.04'
BB	5/16"	18 T.P.I. WHIT FORM .60%	.267'	3/16"	.32'	.34'	1.15'	.40"	.440" .445"	.27"	.10'	.06'	.04'
C	3/8"	3/8"	.333'	1/4"	.32'	.37'	1.25'	.48"	.520" .525"	.30"	.10'	.06'	.04'
CC	7/16"	14 T.P.I. WHIT FORM .75%	.377'	5/16"	.32'	.39'	1.32'	.56"	.595" .600"	.40"	.10'	.06'	.06'
D	1/2"	1/2"	.438'	3/8"	.32'	.40'	1.37'	.65"	.705" .710"	.45"	.10'	.08'	.06"

THE MATERIAL TO BE LIGHT ALLOY TO D.T.D. 423 (LATEST ISSUE).

FINISH :- TO BE ANODISED TO SPEC. D.T.D. 910 (LATEST ISSUE).

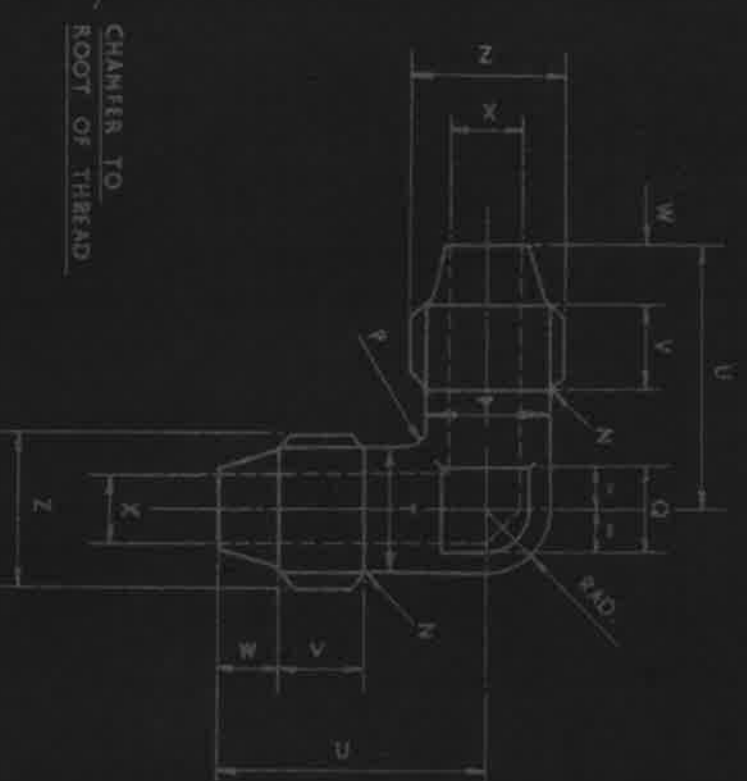
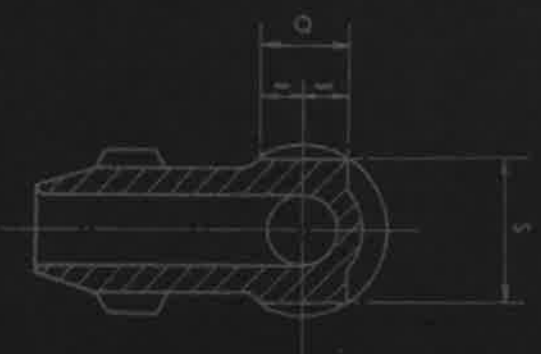
NOTES :- SCREW THREADS TO B.S. SPEC. NO. 84-1940

MEDIUM FIT, TRUNCATED THREADS TO AMENDMENT NO. 3-1945

WORKING PRESSURE :- 3,000 LB/SQ IN FOR SIZES UP TO 1/2" B.S.P.

FOR ARRANGEMENT OF PIPE JOINTS, SEE A.G.S. NO. 1101.

ISSUED BY ROYAL AIRCRAFT ESTABLISHMENT	TITLE:- PIPE COUPLINGS, (LIGHT ALLOY) CONE ELBOW 3/16" TO 1/2"					DRAWN CT. Remolds.	TRACED P.L.N 3-10-41
	ISSUE NO	1	2	3	4	CHECKED	APPROVED
	ALTER ^N NO	MOD 100/449	AS/AGS 663	AS/AGS 877	AS/AGS 988	SM 856	



ENLARGED VIEW OF CONE ENDS.

SEE A.G.S. 1100 FOR GENERAL INFORMATION.
 B.S.P.F. THREADS TO B.S. SPEC. 2779 MEDIUM FIT TRUNCATED.
 WORKING PRESSURE - 3000 LB/SQ. IN.
 FOR ARRANGEMENT OF PIPE JOINTS SEE A.G.S. 1101.

ISSUE NO.	ALT. NO.
6	E.2
7	F.46
8	F.96
9	F.101
10	E.123

SM2026

USED ON	REF.	DRAWING OR PART NO.	DESCRIPTION	MATERIAL - REMARKS
			ALUMM ALLOY	L.85.

DESIGNED	DRAWN	TRACED	CHECKED	APPROVED FOR	DATE
	F.A.C.	F.A.C.	F.A.C.	S.B.A.C. H.S. Adams	27.1.58

ISSUED BY THE SOCIETY OF BRITISH AEROSPACE COMPANIES LTD.,
 29, KING STREET, ST. JAMES'S, LONDON, S.W.1.

HT	PT	R.S. 1116 NO. PAINT	SCALE	LIMITS NOT SHOWN	THIRD ANGLE PROJECTION

PIPE COUPLINGS (ALUMM ALLOY)
 CONE ELBOW 3/16" TO 1/2".
 A.G.S. 1116-SHEET.1.

ST/17 10/5/58

SIZE A3-A5-13