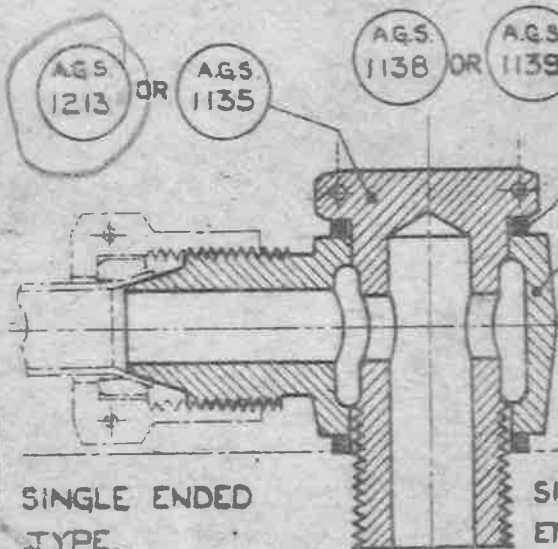
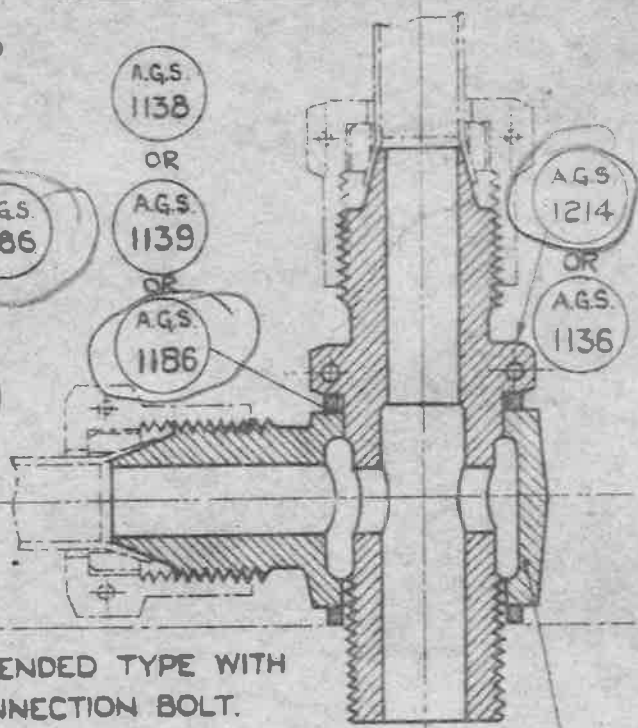


ISSUED BY DRAWING OFFICE DIRECTORATE OF TECHNICAL DEVELOPMENT MINISTRY OF AIRCRAFT PRODUCTION	TITLE:- PIPE COUPLINGS. ARRANGEMENTS OF CONE BANJO'S.					DRAWN.	TRACED. E.KNEALE 2-8-46
	ISSUE N°	1	2	3	4		
	ALTER N°	MOD.		MOD. N°			

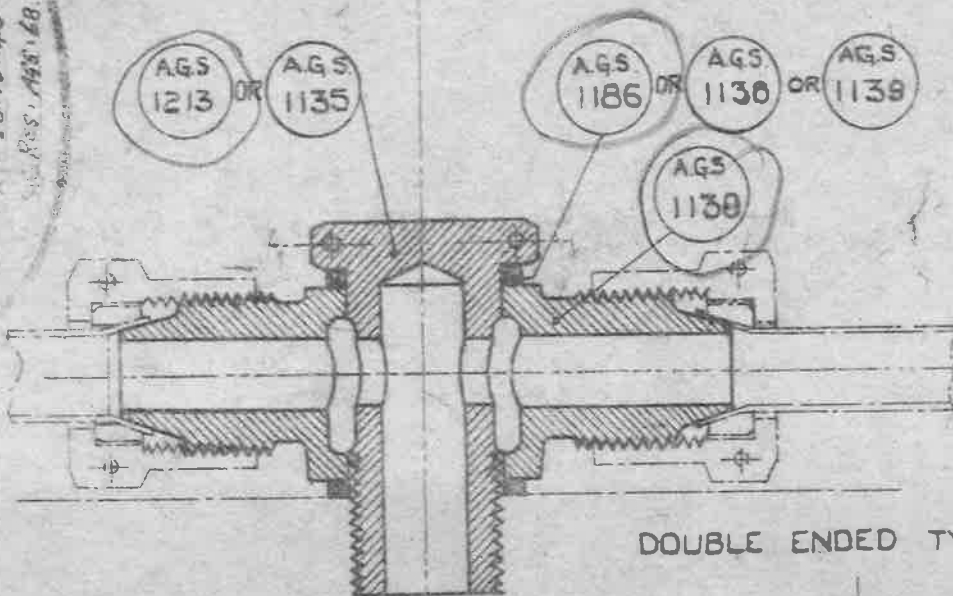
LIGHT ALLOY BANJO BOLTS, A.G.S. 1213, 1214 AND 1215, ARE NOT APPLICABLE TO ENGINE INSTALLATIONS FOR BANJO BOLT WITH HOLE FOR BLEEDER SCREW, SEE A.G.S. 1173 (STEEL) AND A.G.S. 1220 (LIGHT ALLOY)



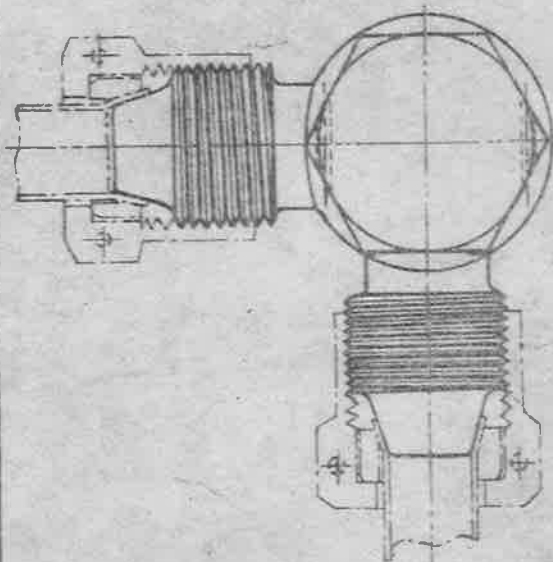
SINGLE ENDED TYPE.



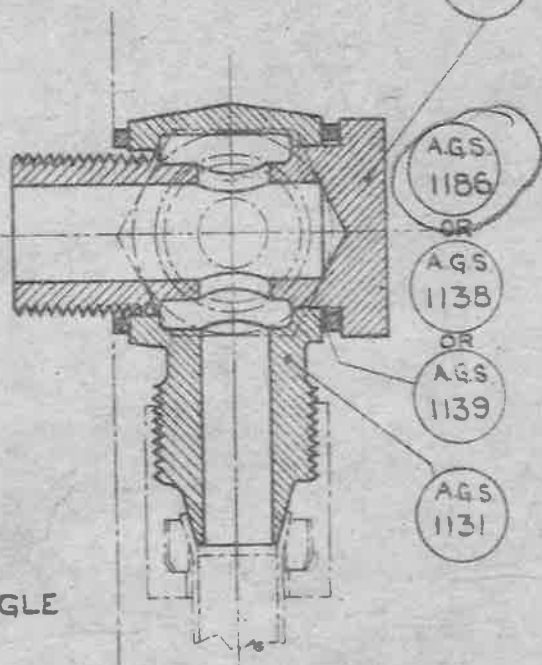
SINGLE ENDED TYPE WITH END CONNECTION BOLT.



DOUBLE ENDED TYPE.

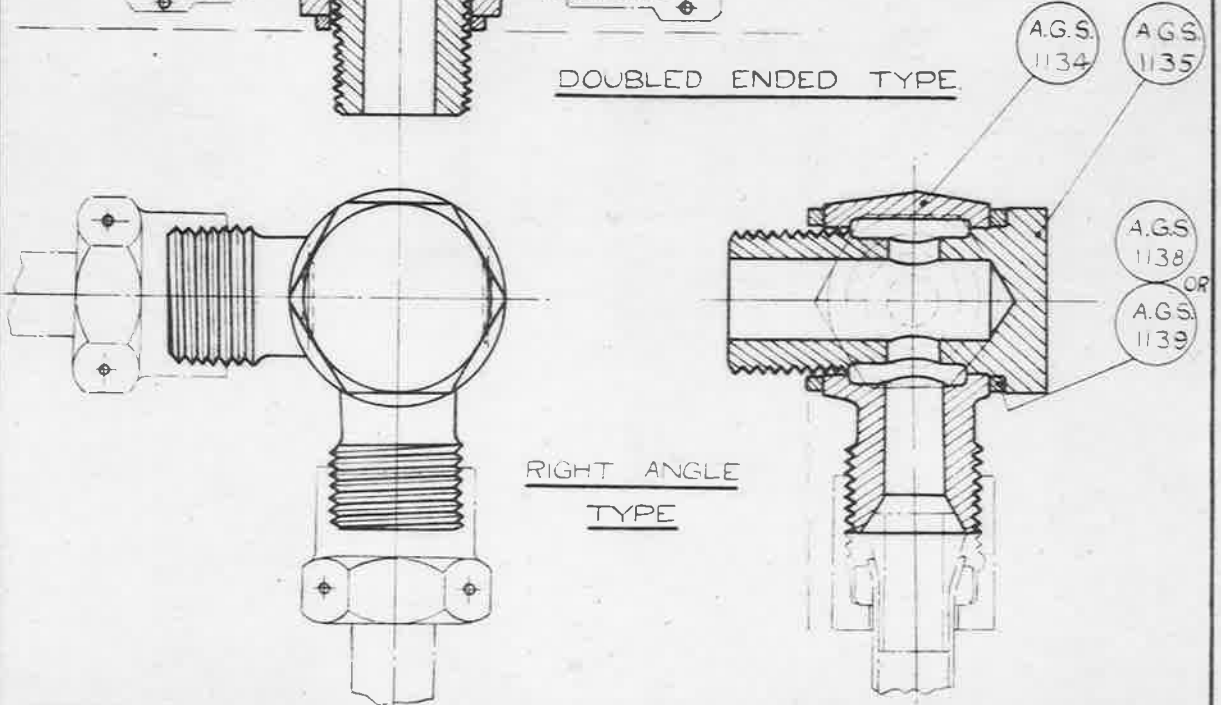
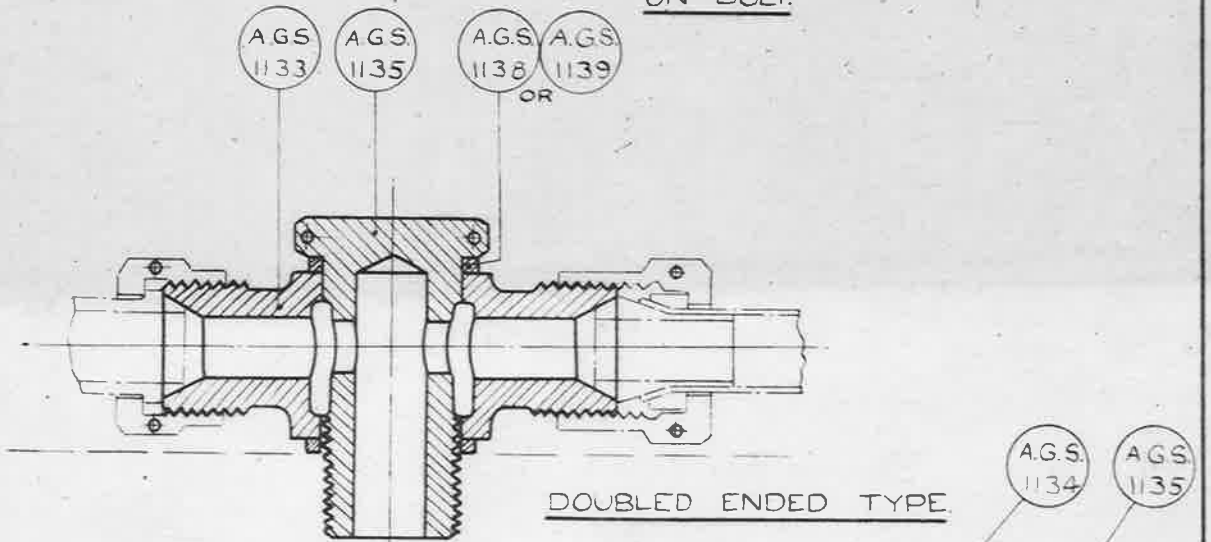
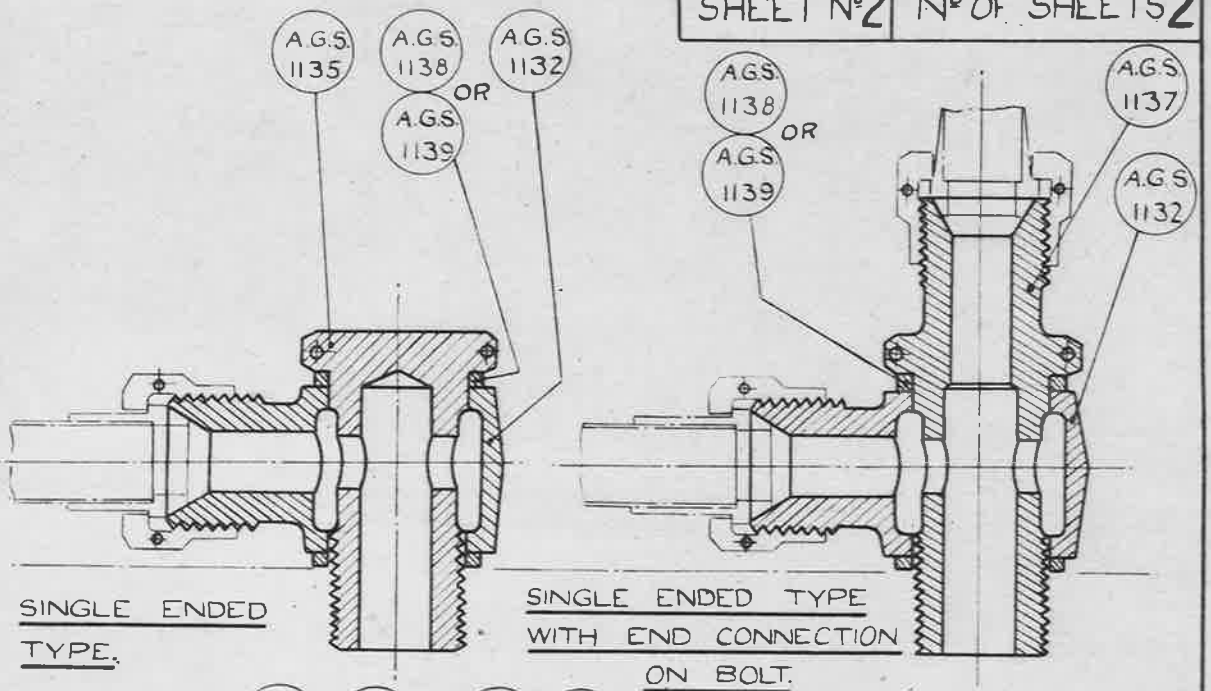


RIGHT ANGLE TYPE.



26.10.46
S. Res. 448/48.

ISSUED BY THE ROYAL AIRCRAFT ESTABLISHMENT.	TITLE:- PIPE COUPLINGS, ARRANGEMENTS OF CONE BANJO'S.			DRAWN	RETRACED
	ISSUE No.	6		G.T. Reynolds	57 5th NOV 48
	ALTERN. No.	MOD. No. A.G.S. 633		CHECKED	APPROVED
				J. H. Brasher	G.R.W. 13 11 48



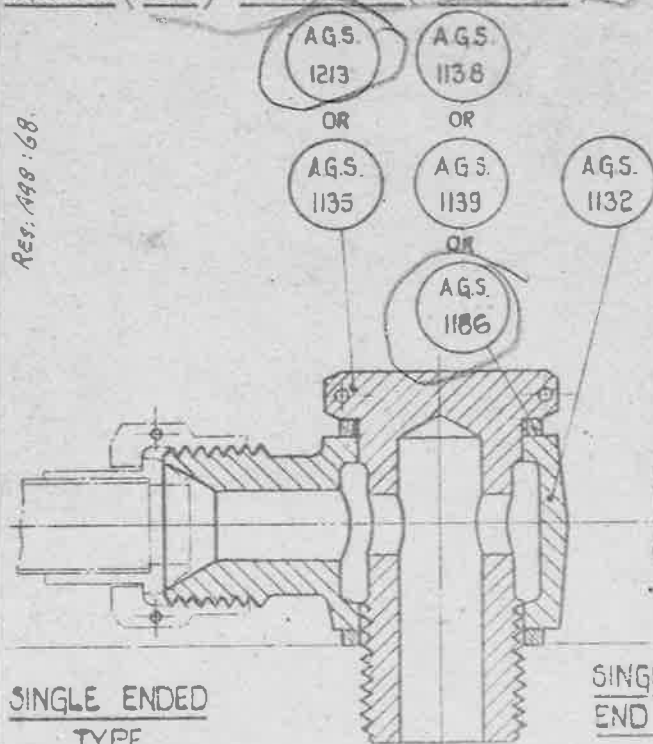
ISSUED BY DRAWING OFFICE DIRECTORATE OF TECHNICAL DEVELOPMENT MINISTRY OF AIRCRAFT PRODUCTION.	TITLE :- <u>PIPE COUPLINGS.</u> ARRANGEMENTS OF UNION BANJO'S				DRAWN	TRACED E.KNEALE 29.7.46
	ISSUE N°	1	2	3	CHECKED <i>[Signature]</i>	APPROVED
	ALTER N°	MDD AGS/449	AS AGS/282	MDD N° AGS/609		

LIGHT ALLOY BANJO BOLTS, AGS. 1213, 1214 & 1215, ARE NOT APPLICABLE TO ENGINE INSTALLATIONS.
 FOR BANJO BOLT WITH HOLE FOR BLEEDER SCREW, SEE AGS. 1173 (STEEL) & AGS. 1220 (LIGHT ALLOY).

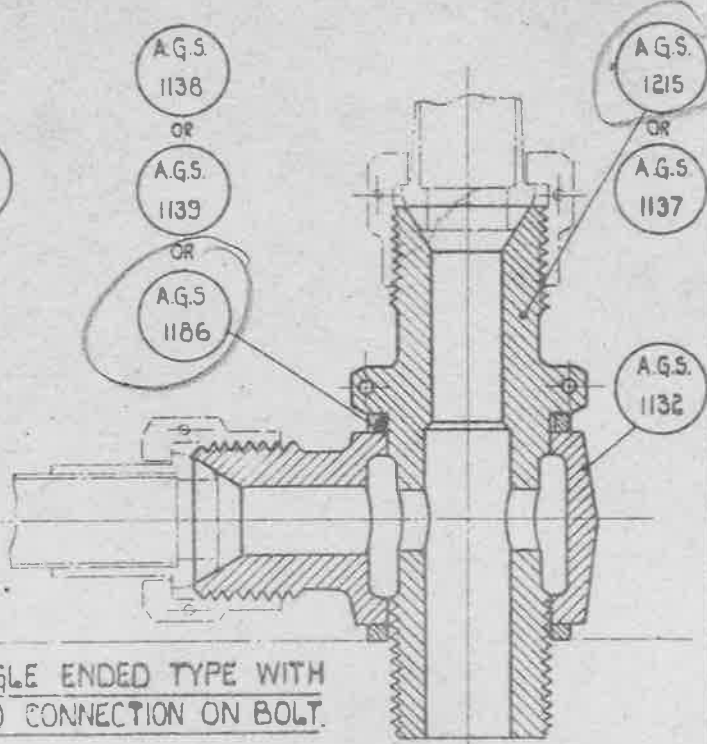
MINISTRY OF SUPPLY **AGS. No 1128.**

SHEET No 2. No OF SHEETS 2.

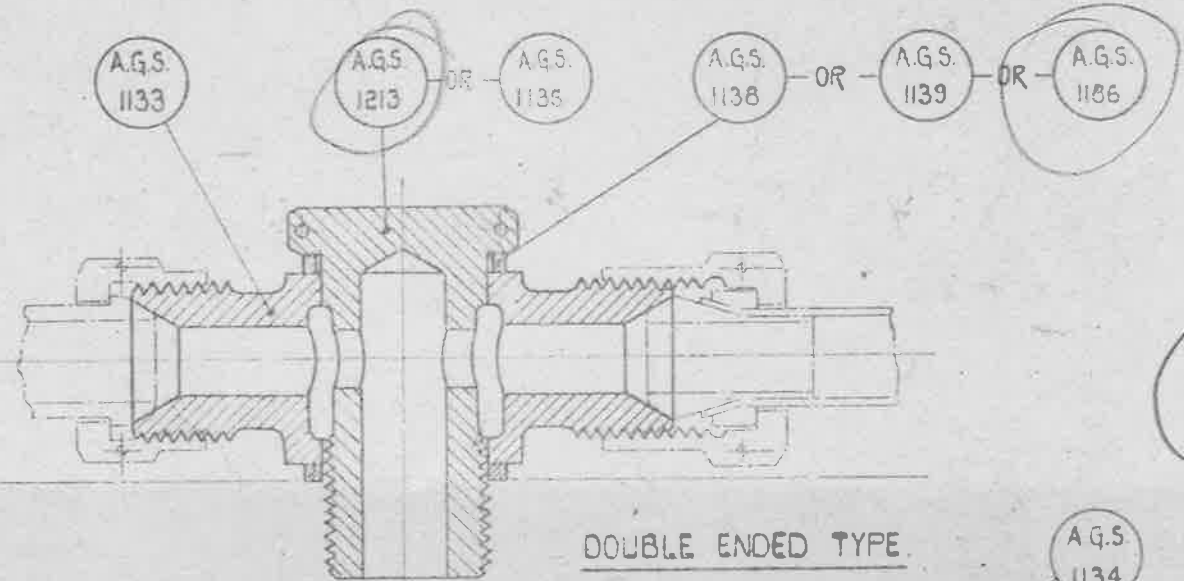
26.10.46
 Ref. AGS. 168.



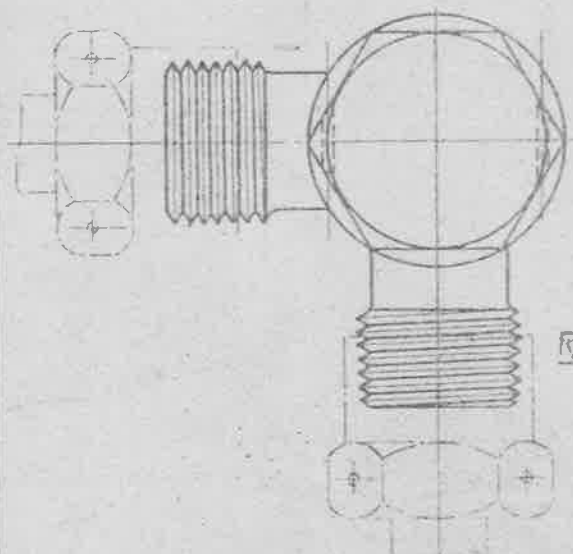
SINGLE ENDED TYPE



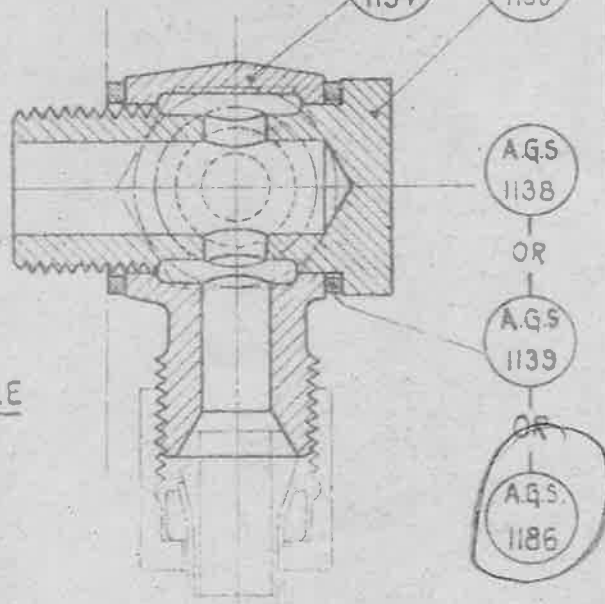
SINGLE ENDED TYPE WITH END CONNECTION ON BOLT.



DOUBLE ENDED TYPE.



RIGHT ANGLE TYPE



ISSUED BY THE ROYAL AIRCRAFT ESTABLISHMENT	TITLE:- PIPE COUPLINGS. ARRANGEMENTS OF UNION BANJO'S.				DRAWN C.T. Reynolds	RETRACED G. S. H. 4.11.46
	ISSUE No	6			CHECKED J.H. Brasher	APPROVED G. S. H.
	ALTER No	MOD No AGS. 1633				