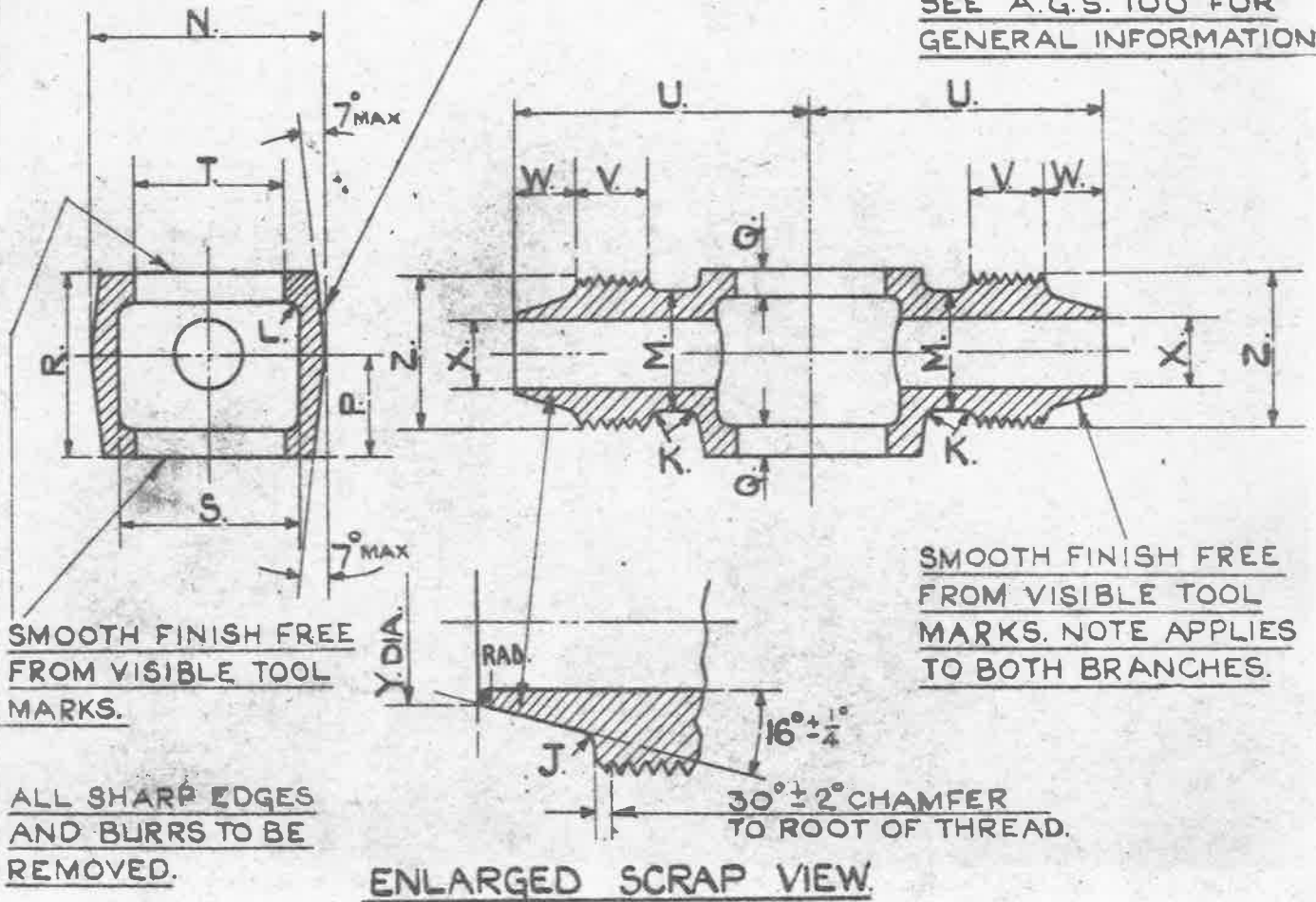


A.G.S. 1130 - * TO BE LEGIBLY AND DURABLY MARKED IN POSITION SHOWN. (* MARK).

SEE A.G.S. 100 FOR GENERAL INFORMATION.



MARK	O.D. OF PIPE	Z.	Y.	X.	W.	V.	U.	T.	S.	R.	Q.	P.	N.	M.	L.	K.	J.
		B.S.P. THREAD.	+0.10 -0	DRILL	+0.01 -0	±0.01	±0.01	+0.005 +0.002	±0.01	±0.01	+0.01 -0	+0.01 -0	+0.04 -0.01	+0.04 -0.01			
A.	3/16	1/8	.160	3/32	.22	.30	1.05	.383	.50	.50	.10	.29	.75	.28	.06	.06	.03
B.	1/4	1/4	.224	5/32	.28	.30	1.22	.518	.65	.60	.10	.35	.90	.37	.06	.06	.04
B.B.	5/16	19 T.P.I. 60° O/DIA	.267	3/16	.32	.34	1.35	.600	.75	.70	.12	.44	1.00	.40	.06	.06	.04
C.	3/8	3/8	.333	1/4	.32	.37	1.43	.656	.80	.80	.12	.47	1.10	.48	.06	.06	.04
C.C.	7/16	14 T.P.I. 75° O/DIA	.377	5/16	.32	.39	1.56	.750	.90	.90	.15	.52	1.20	.56	.06	.06	.06
D.	1/2	1/2	.438	3/8	.32	.40	1.62	.825	1.00	1.00	.15	.56	1.30	.65	.06	.06	.06

THE MATERIAL TO BE LIGHT ALLOY TO D.T.D. 423 (LATEST ISSUE).

NOTES:- SCREW THREADS TO B.S. SPEC. 84 (LATEST ISSUE) MEDIUM FIT, TRUNCATED. FOR DIAMETERS, TOLERANCES AND TRUNCATED DIMENSIONS OF MARKS BB & CC SEE A.G.S. 100 SHEET 5.

FOR GENERAL ARRANGEMENT, SEE A.G.S. N° 1128 (SHEET 1).

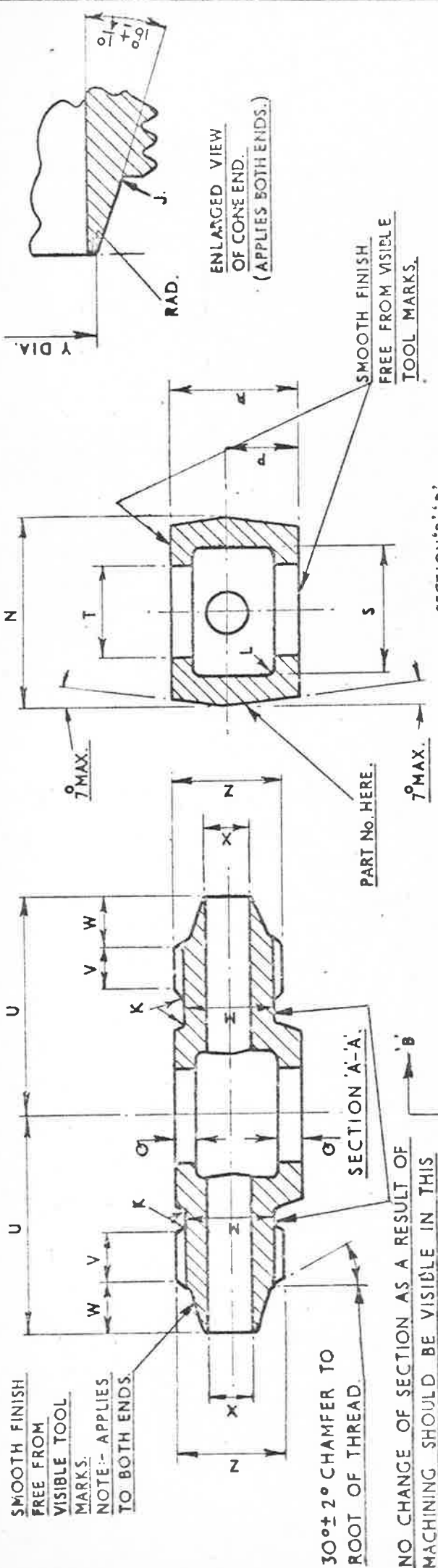
WORKING PRESSURE:- 3,000 LB/SQ. IN. FOR SIZES UP TO 1/2 B.S.P.

FINISH :- TO BE ANODISED TO SPEC. D.T.D. 910. (LATEST ISSUE).

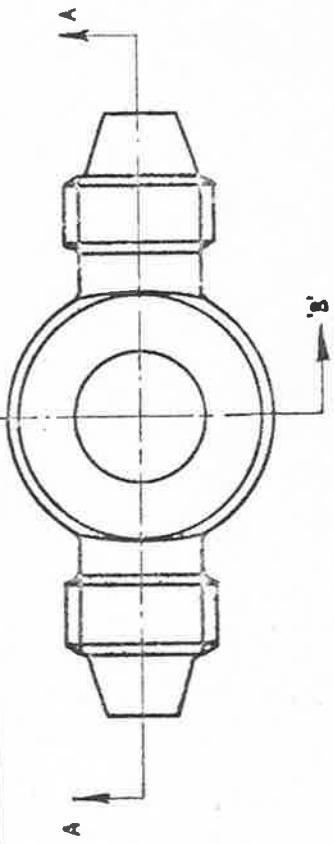
ISSUED BY ROYAL AIRCRAFT ESTABLISHMENT	TITLE:- PIPE COUPLINGS. (LIGHT ALLOY) DOUBLE END CONE BANJO BODY (3/16 TO 1/2)				DRAWN G.T. Reynolds.	TRACED L.L.S. 4.10.41.
	ISSUE N°	8	7	8		
	ALTER ^N N°	AS/ACS 877	AS/ACS 969	AS/ACS 988	SM 858	<i>[Signature]</i> 13.11.41

16/SMT/48

ISSUE	ALT. No.
10	F.2.
11	F.46.
12	F.96.
13	F101.
14	F123
15	F130
16	F156



THESE FITTINGS SHOULD NOT BE USED IN AREAS OF HIGH PRESSURE IMPULSES.
SEE A.G.S. 100 FOR GENERAL INFORMATION.
B.S.P.F. THREADS TO B.S. SPEC. 2779 MEDIUM FIT TRUNCATED.
WORKING PRESSURE: 3000LB/50 IN.
FOR GENERAL ARRANGEMENT SEE A.G.S. 1128 SHEET 2.



USED ON	DRAWING OR PART No.		ALUMINUM ALLOY		AS DRAWN	UNIT QTY	MATERIAL - REMARKS
DESIGNED	HT	PT	R.S.116 NO PAINT	SCALE	LIMITS NOT SHOWN	±.010	THIRD ANGLE PROJECTION
ISSUED BY THE SOCIETY OF BRITISH AEROSPACE COMPANIES LTD., 29, KING STREET, ST. JAMES'S, LONDON, S.W.1.							
APPROVED FOR S.B.A.C.	DATE	PIPE COUPLINGS (ALUMINUM ALLOY) DOUBLE END CONE BANJO BODY 3/16 TO 1/2.					
<i>H. J. Parker</i>	12.2.58	A.G.S. 1130 SHEET 1.					
CHECKED	F.A.C.	L.85.					
TRACED	F.A.C.	MATERIAL - REMARKS					
DRAWN	F.A.C.	L.85.					

ISSUE	ALT. No.
10	F 2.
11	F46
12	F96
13	F101
14	F123



SEE A.G.S. 100 FOR GENERAL INFORMATION.
 B.S.P. THREADS TO B.S. SPEC. 2779 MEDIUM FIT TRUNCATED.
 WORKING PRESSURE: 3000 LB./SQ. IN.
 FOR GENERAL ARRANGEMENT SEE A.G.S. 1123 SHEET 2.

DESIGNED	DRAWN	TRACED	CHECKED	APPROVED FOR	DATE
F.A.C.	F.A.C.	F.A.C.	F.A.C.	<i>[Signature]</i>	19. 7. 53
ISSUED BY THE SOCIETY OF BRITISH AEROSPACE COMPANIES LTD., 29, KING STREET, ST. JAMES'S, LONDON, S.W.1					
USED ON	REF	DRAWING OR PART No.	DESCRIPTION	ST. PARTS UNIT CITY	MATERIAL REMARKS
			ALUMINUM ALLOY		L. 85.
	HIT	PT	R 5/16 NO PAINT	SCALE	THIRD ANGLE PROJECTION
				LIMITS NOT SHOWN	
					A.G.S. 1130 SHEET 1

SIZE 8 1/2 x 11 1/2

MARK	O/D OF PIPE	J	K	L	M	N	P	Q	R	S	T	U	V	W	X	Y	Z	
		RAD.	RAD.	RAD.	DIA.	DIA.	DIA.	DIA.	DIA.	DIA.	DIA.	DIA.	DIA.	DIA.	DIA.	DRILL	DIA.	DIA.
A	3/16	.030	.060	.060	.320	.790	.500	.110	.510	.510	.388	1-060	.310	.230	3/32	.170	1"	
B	1/4	.040	.060	.060	.410	.940	.360	.110	.610	.660	.523	1-230	.310	.290	5/32	.234	1"	
B-B	5/16	.040	.060	.060	.440	1-040	.450	.130	.710	.760	.605	1-360	.350	.330	3/16	.277	19 T.P.I., 60 O/D WHIT. (S.S. 84)	
C	3/8	.040	.060	.060	.520	1-140	.480	.130	.810	.810	.661	1-440	.380	.330	1"	.343	3"	
C-C	7/16	.060	.060	.060	.600	1-240	.530	.150	.910	.910	.755	1-570	.400	.350	5/16	.387	14 T.P.I., 78 O/D WHIT. (S.S. 84)	
D	1"	.060	.060	.060	.690	1-340	.570	.150	1-010	1-010	.830	1-630	.410	.330	3"	.448	1"	
					.840	1-290	.560	.150	.990	.990	.827	1-610	.390	.320	6"	.438	2"	

ISSUE
1
2
13

ALT. No.
F57
F101

SM
2027

S.S.P.F.
THREAD

DESIGNED	DRAWN	TRACED	CHECKED	APPROVED FOR	DATE	HT	PT	SCALE	LIMITS NOT SHOWN	DESCRIPTION	DRAWING OR PART No.	REF.	MATERIAL - REMARKS
F.A.C.	F.A.C.	F.A.C.	F.A.C.	<i>H.P. Parker</i>	K.S. 57					PIPE COUPLINGS. (ALUMM ALLOY) DOUBLE END CONE BANJO BODY 3/16" TO 1/2"			A.G.S.-1130 SHEET 2.

ISSUED BY THE SOCIETY OF BRITISH AIRCRAFT CONSTRUCTORS LTD,
29, KING STREET, ST. JAMES'S, LONDON, S.W.1.

EXC 107 1484 6/58

SIZE 11.5" x 17.5"