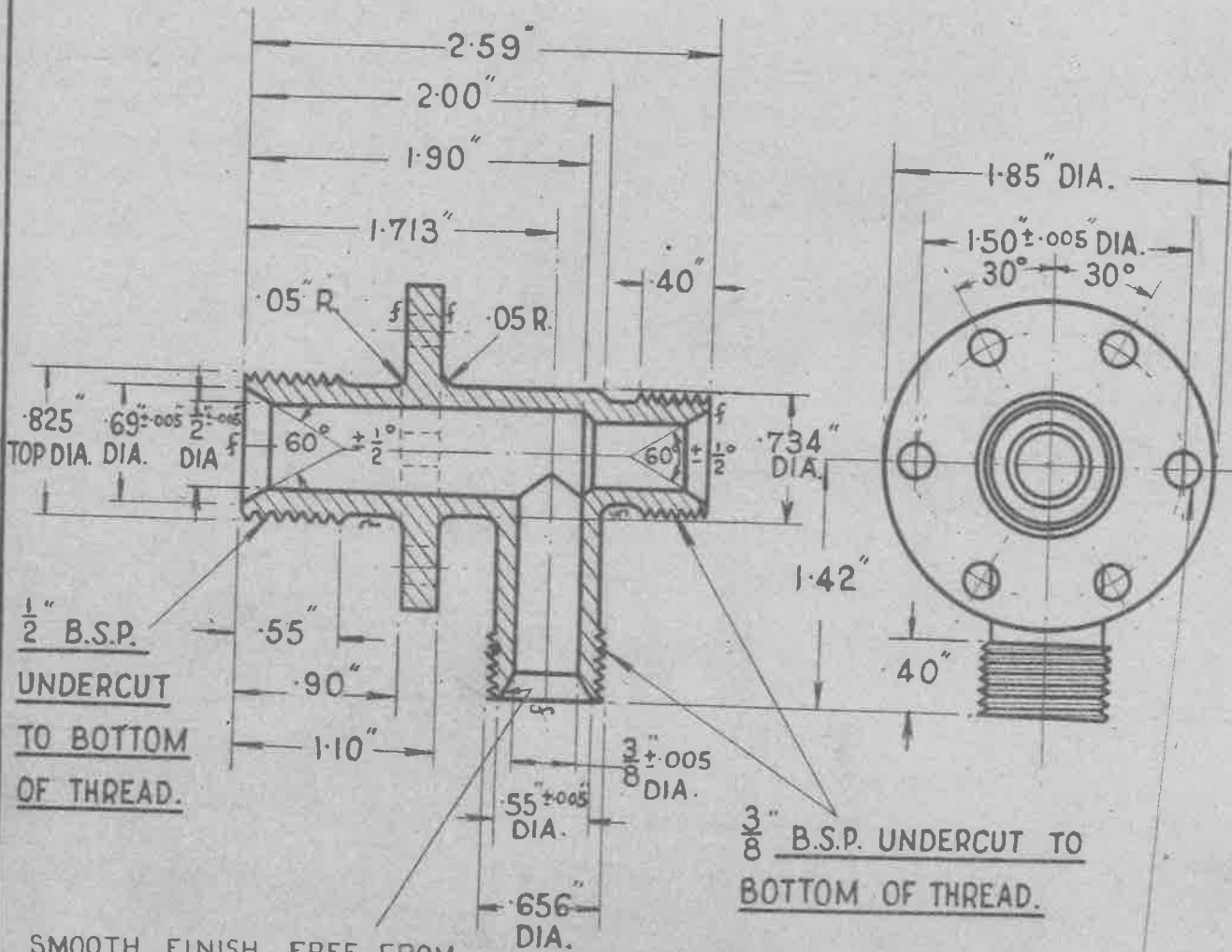


CHAMFER TO ROOT OF THREADS.



SMOOTH FINISH FREE FROM TOOL MARKS. NOTE APPLIES TO ALL BRANCHES.

6 HOLES DRILL 13/64" DIA.

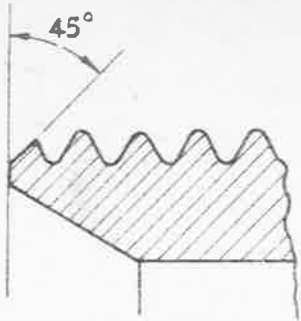
MATERIAL :- ALUMINIUM ALLOY CASTING TO SPEC. D.T.D. 424 OR 428 (LATEST ISSUE)  
FINISH: ANODISED TO SPEC. D.T.D. 910 (LATEST ISSUE)  
SCREW THREADS TO BE TO B.S. SPEC. Nº 84 1940 (MEDIUM FIT) TRUNCATED THREADS TO AMENDMENT Nº 3-1945

MACHINE AT f  
UNLIMITED DIMENSIONS TO BE ±.01"

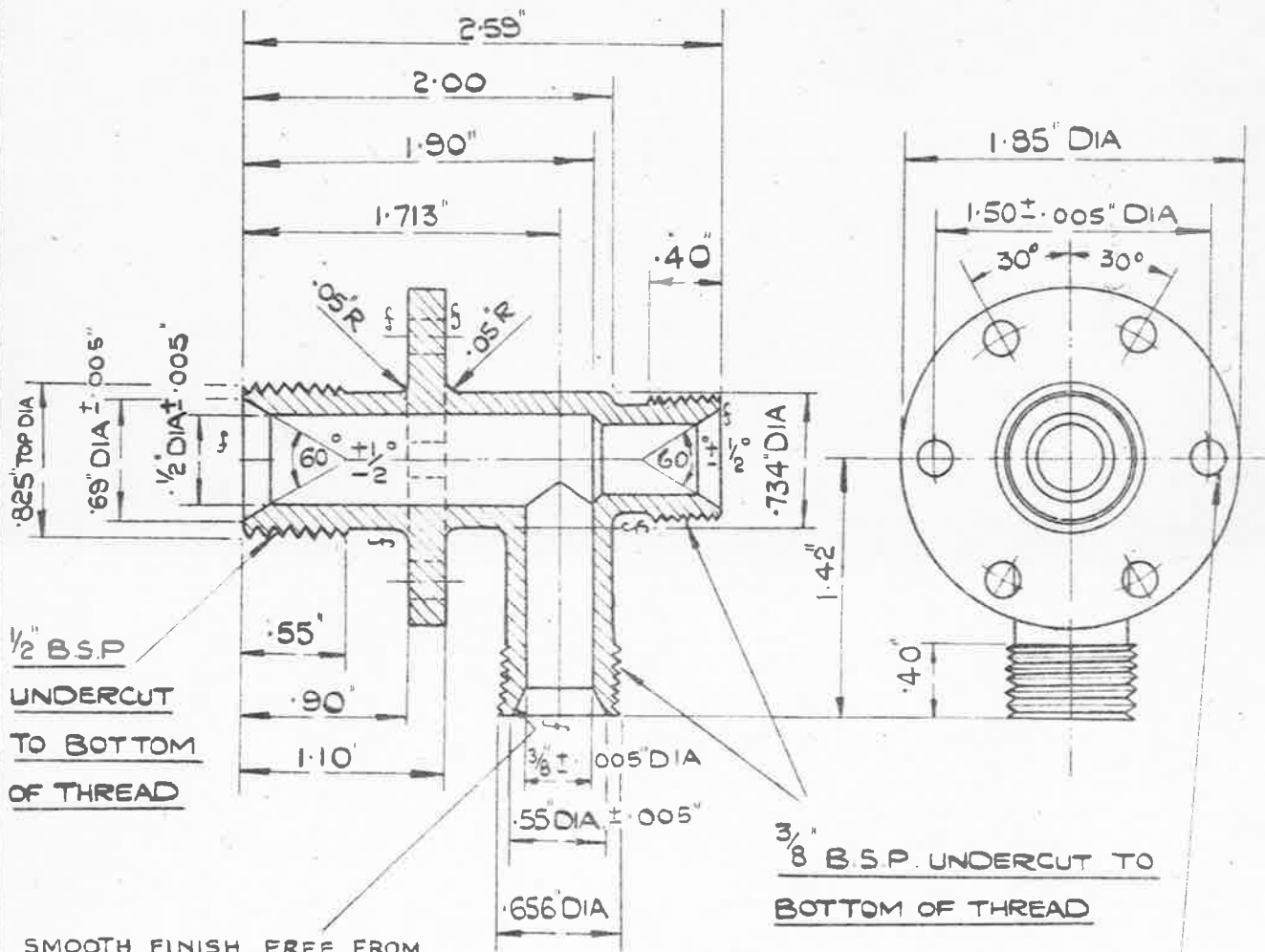
BASED ON MESSERS THE GRAVINER MFG. CO LTD DRG Nº 990/E

ISSUED BY DRAWING OFFICE ISSUED BY ROYAL AIRCRAFT ESTABLISHMENT	TITLE :- "T" ADAPTOR (FOR FUEL TANK FIRE EXTINGUISHER)			DRAWN	TRACED J. HANNAN 3-11-45	
	ISSUE Nº	1	2	3	CHECKED	APPROVED
	ALTERN Nº	MOD AGS 574	AGS Nº AS 417	AGS Nº AS 663		

SEE A.G.S. 100 FOR GENERAL INFORMATION.



CHAMFER TO ROOT OF THREADS



1/2 B.S.P.  
UNDERCUT  
TO BOTTOM  
OF THREAD

3/8 B.S.P. UNDERCUT TO  
BOTTOM OF THREAD

SMOOTH FINISH FREE FROM  
TOOL MARKS. NOTE APPLIES  
TO ALL BRANCHES.

6 HOLES DRILL 13/64 DIA

MATERIAL :- ALUMINIUM ALLOY CASTING TO SPEC D.T.O. 424 OR 428 (LATEST ISSUE)

FINISH :- ANODISED TO SPEC DTD 910 (LATEST ISSUE)

SCREW THREADS TO BE TO B.S. SPEC. No 84. 1940 (MEDIUM FIT) TRUNCATED  
THREADS TO AMENDMENT No 3-1945.

MACHINE AT f

UNLIMITED DIMENSIONS TO BE ± .01

BASED ON MESSRS THE GRAVINER MFG CO LTD DRG No 990/E

ISSUED BY ROYAL AIRCRAFT ESTABLISHMENT	TITLE:- "T" ADAPTOR (FOR FUEL TANK FIRE EXTINGUISHER)				DRAWN. <i>Shibby</i>	TRACED O KELLY 7.0.44	
	ISSUE No	1	2	3	4	CHECKED	APPROVED.
	ALTER No					<i>W.P. Snell</i>	