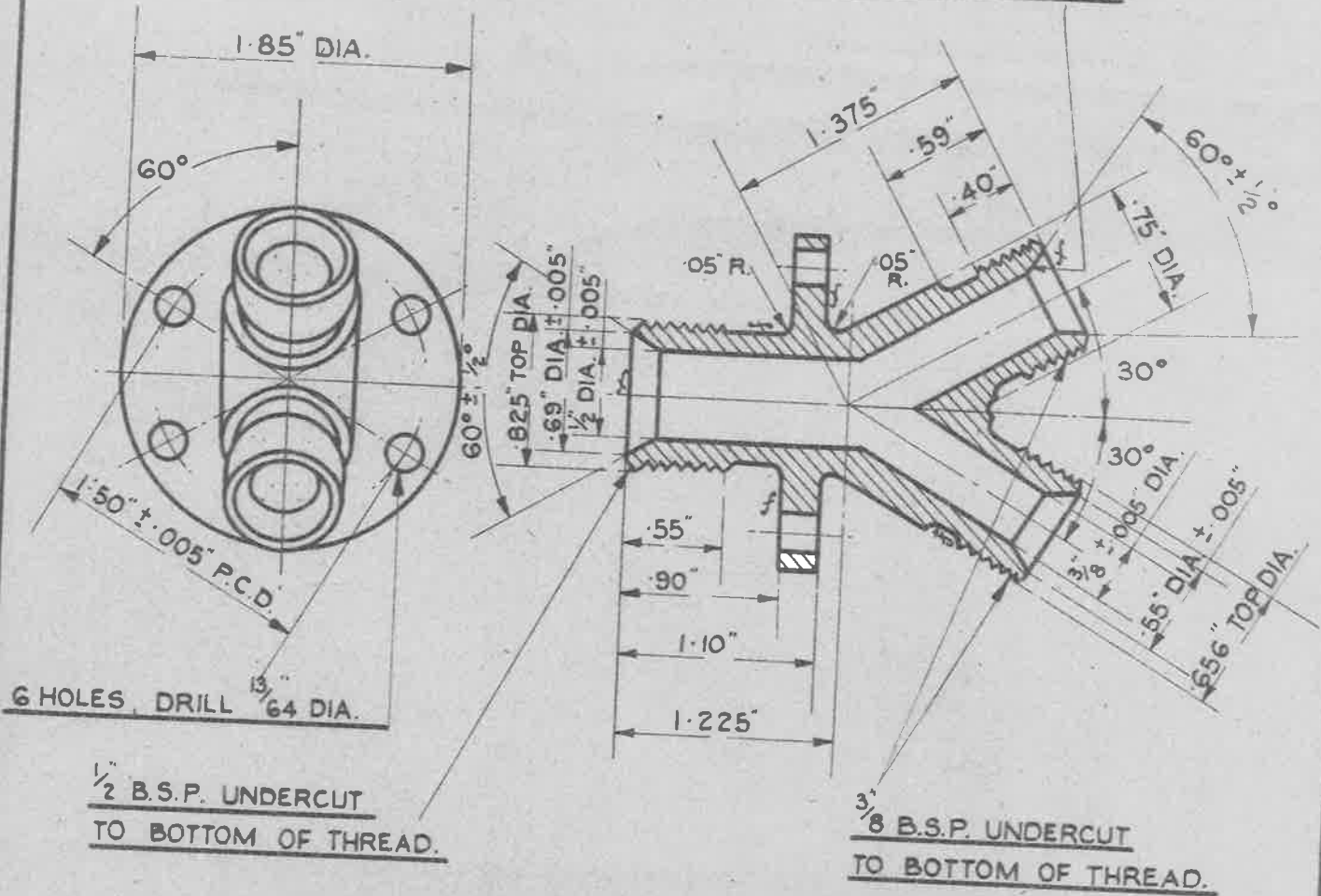


CHAMFER TO ROOT OF THREADS.

SMOOTH FINISH FREE FROM TOOL MARKS. NOTE APPLIES TO ALL BRANCHES



MATERIAL:- ALUMINIUM ALLOY CASTING TO SPEC. D.T.D. 424 OR 428 (LATEST ISSUE)  
FINISH:- ANODISED TO SPEC. D.T.D. 910 (LATEST ISSUE)  
SCREW THREADS TO B.S. SPEC. N° 84, 1940 (MEDIUM FIT) TRUNCATED  
THREADS TO AMENDMENT N° 3-1945  
MACHINE AT f.  
UNLIMITED DIMENSIONS TO BE ± .01".

BASED ON MESSRS. THE GRAVINER MFC. CO LTD. DRG. N° 852/E/1.

ISSUED BY THE ROYAL AIRCRAFT ESTABLISHMENT

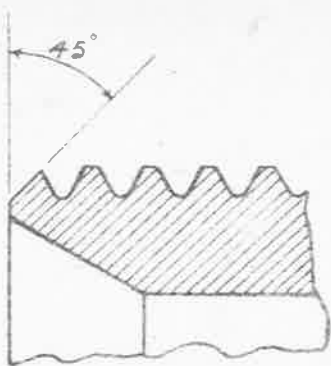
TITLE:- "Y" ADAPTOR (FOR FUEL TANK FIRE EXTINGUISHER.)

DRAWN. J HANSFORD  
 TRACED 14.11.45

ISSUE N°	1	2	3
ALTERN N°	MOD.	AS No.	AS No.

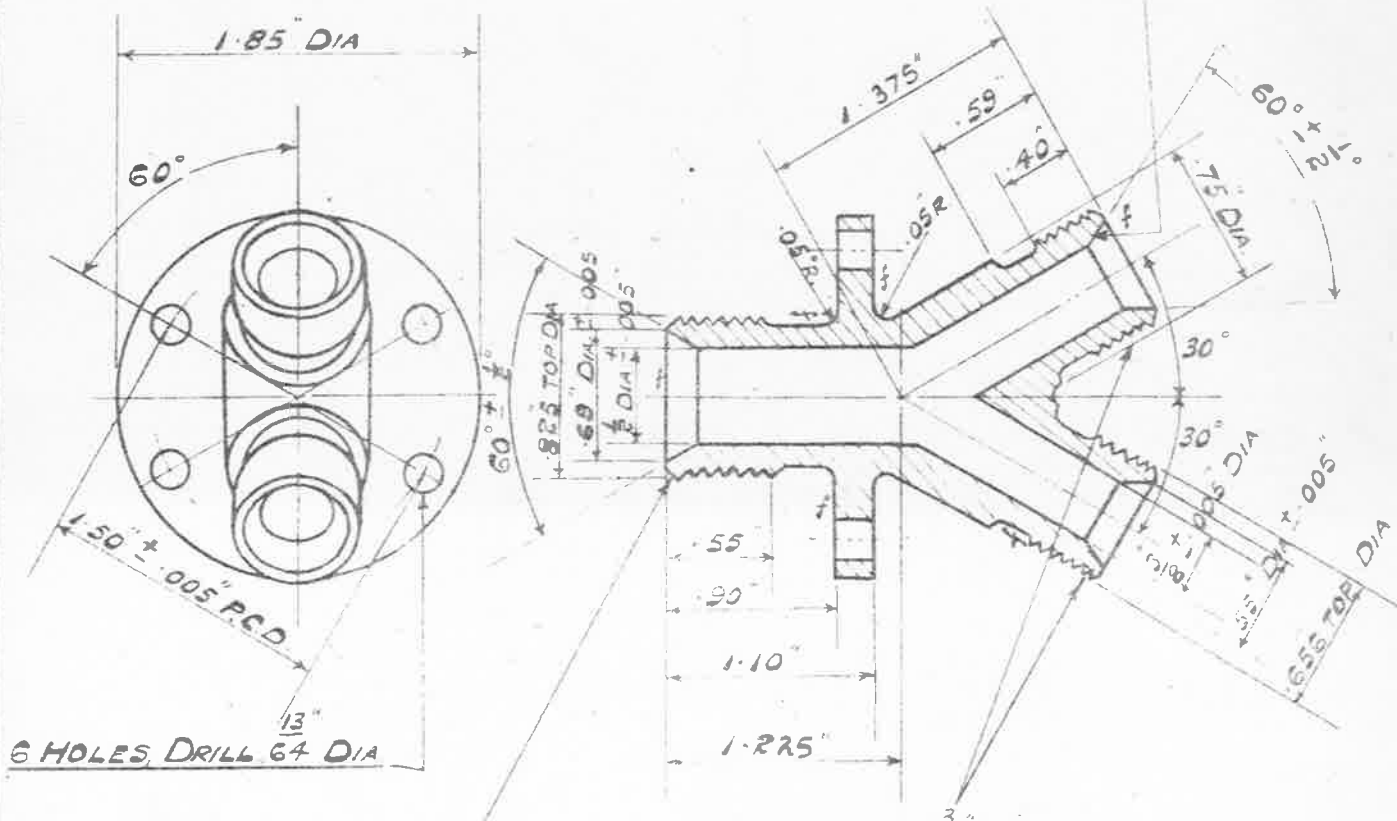
CHECKED APPROVED.

SEE A.G.S. 100 FOR GENERAL INFORMATION.



CHAMFER TO ROOT OF THREADS.

SMOOTH FINISH FREE FROM TOOL MARKS. NOTE APPLIES TO ALL BRANCHES.



1/8 B.S.P. UNDERCUT TO BOTTOM OF THREAD.

1/8 B.S.P. UNDERCUT TO BOTTOM OF THREAD.

MATERIAL:- ALUMINIUM ALLOY CASTING TO SPEC.DTD 424 OR 428 (LATEST ISSUE)

FINISH:- ANODISED TO SPEC.DTD 910 (LATEST ISSUE)

SCREW THREADS TO B.S.SPEC. No 84. 1940 (MEDIUM FIT) TRUNCATED THREADS TO AMENDMENT No 3 - 1945.

MACHINE AT f.

UNLIMITED DIMENSIONS TO BE +/- .01"

BASED ON MESSRS. THE GRAVIMER MFG CO. LTD. DRG No 852/E/1.

ISSUED BY THE ROYAL AIRCRAFT ESTABLISHMENT	TITLE:- "Y" ADAPTOR (FOR FUEL TANK FIRE EXTINGUISHER)					DRAWN. <i>Subrey</i>	TRACED R.G.
	ISSUE No	1	2	3	4	CHECKED <i>Imoor</i>	31-10-44 APPROVED <i>Stew</i>
	ALTERN No	400 45 574 8	45 15 157 AS/ACS	663	988	3M 856	14-44