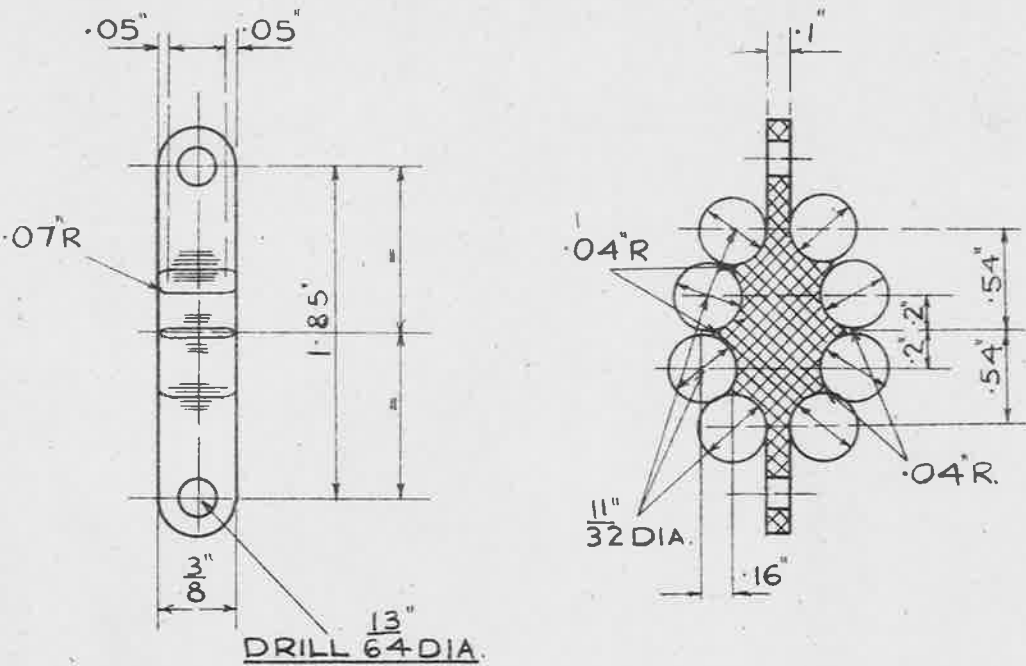


Class 3 Casting see drg  
 No AD. 15528-3. (Latest Issue)

AIR MINISTRY A.G.S. No. 1503

SHEET No. 1 | No. of SHEETS 1



BAR OR DIE CAST

ALUMINUM SPEC: L.I.L. 3, L. 33.

D.T.D. 423 OR

TOLERANCE ON ALL

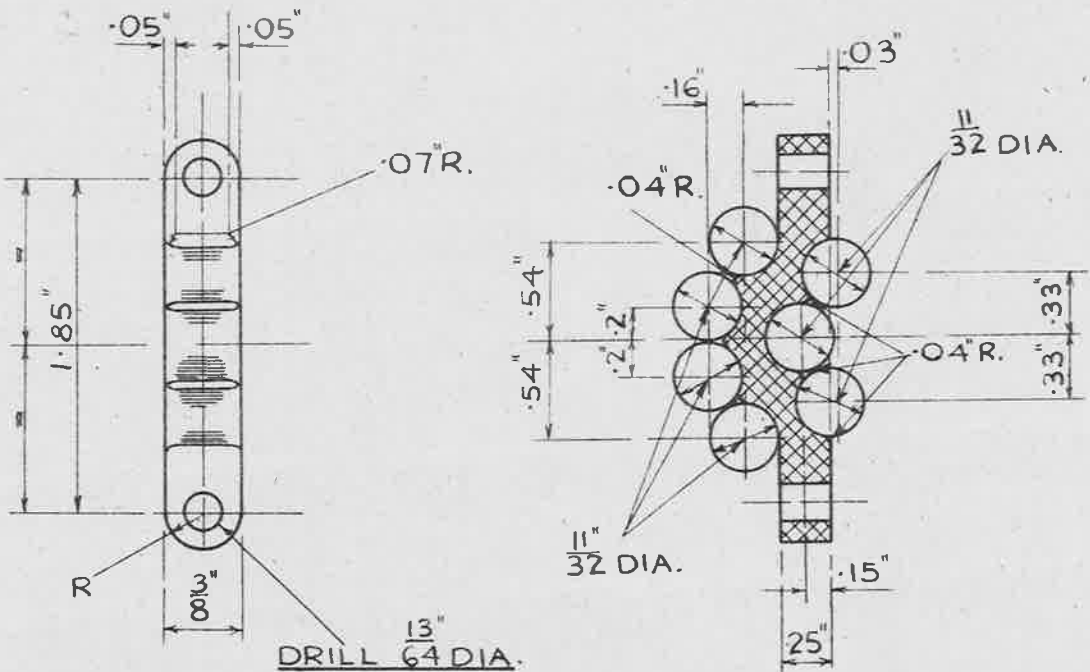
DIMENSIONS  $\pm .005$

ANODICALLY TREATED.

D.T.D. 428 (LATEST ISSUE)

PART A.

Class 3 Casting see drg  
 No AD. 15528-3 (Latest Issue)



BAR OR DIE CAST.

ALUMINUM SPEC: L.I.L. 3, L. 33, D.T.D. 423,  
 OR D.T.D. 428 (LATEST ISSUES)

TOLERANCE ON ALL

DIMENSIONS  $\pm .005$

ANODICALLY TREATED

PART B.

ISSUED BY DRAWING OFFICE DIRECTORATE OF TECHNICAL DEVELOPMENT AIR MINISTRY	TITLE— CABLE CLAMP							RETRACED FOR A.P.C. R.A. Colson	DRAWN F.E. SWAIN	TRACED J.M. STALLARD
	ISSUE No.	1	2	3	4	5	6	7	CHECKED W.S. SMALLEY 5-1-25 RECH. C.F. Reynolds	APPROVED G.E. BAIRSTO 9-2-25
	ALTERATION	AGS 69	AGS.	W.S. ALT	AGS.	AS	AS NO AGS/215	AS NO AGS 224		