

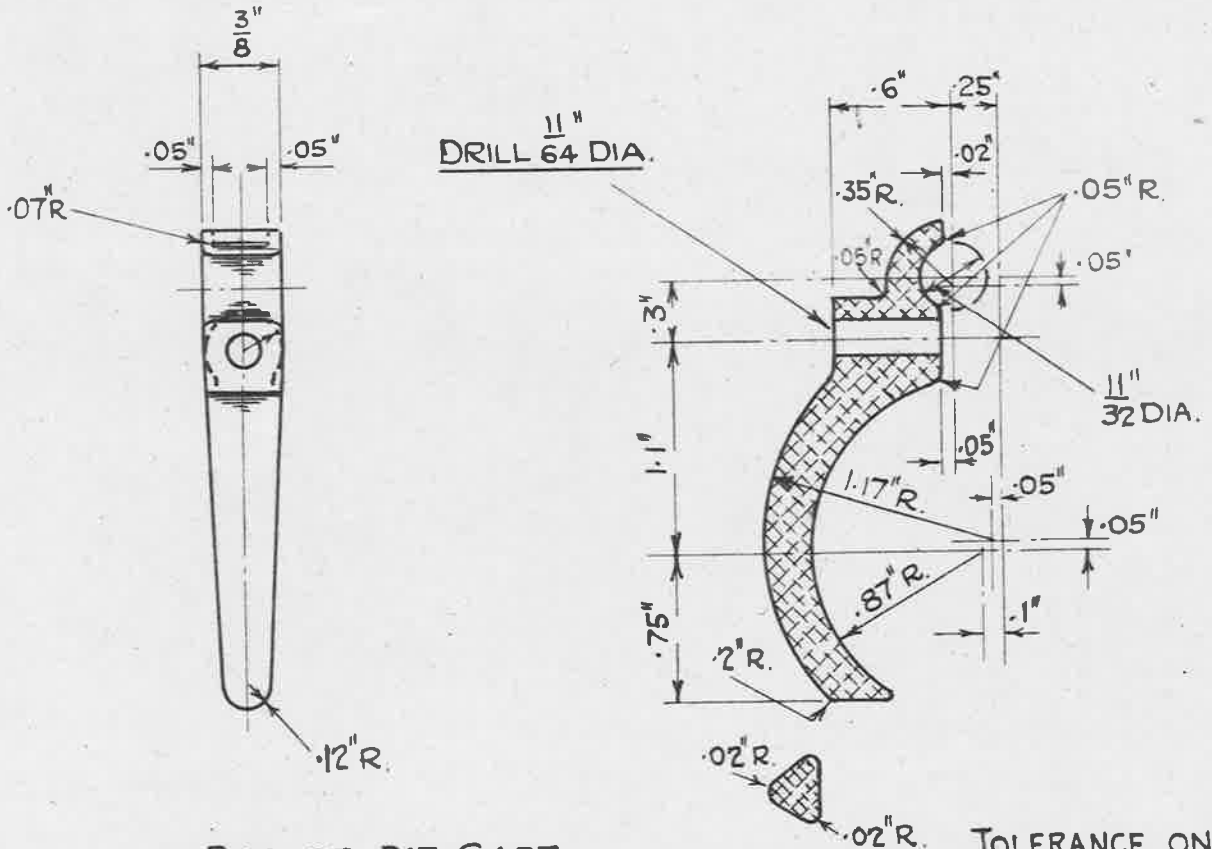
Class 3. Castings
See Drq. No AD. 15528-3 (Latest issue.)

AIR MINISTRY A.G.S. No. 1504

SHEET No. 1

No. of SHEETS 1

24. 3 25
A.E. PENN

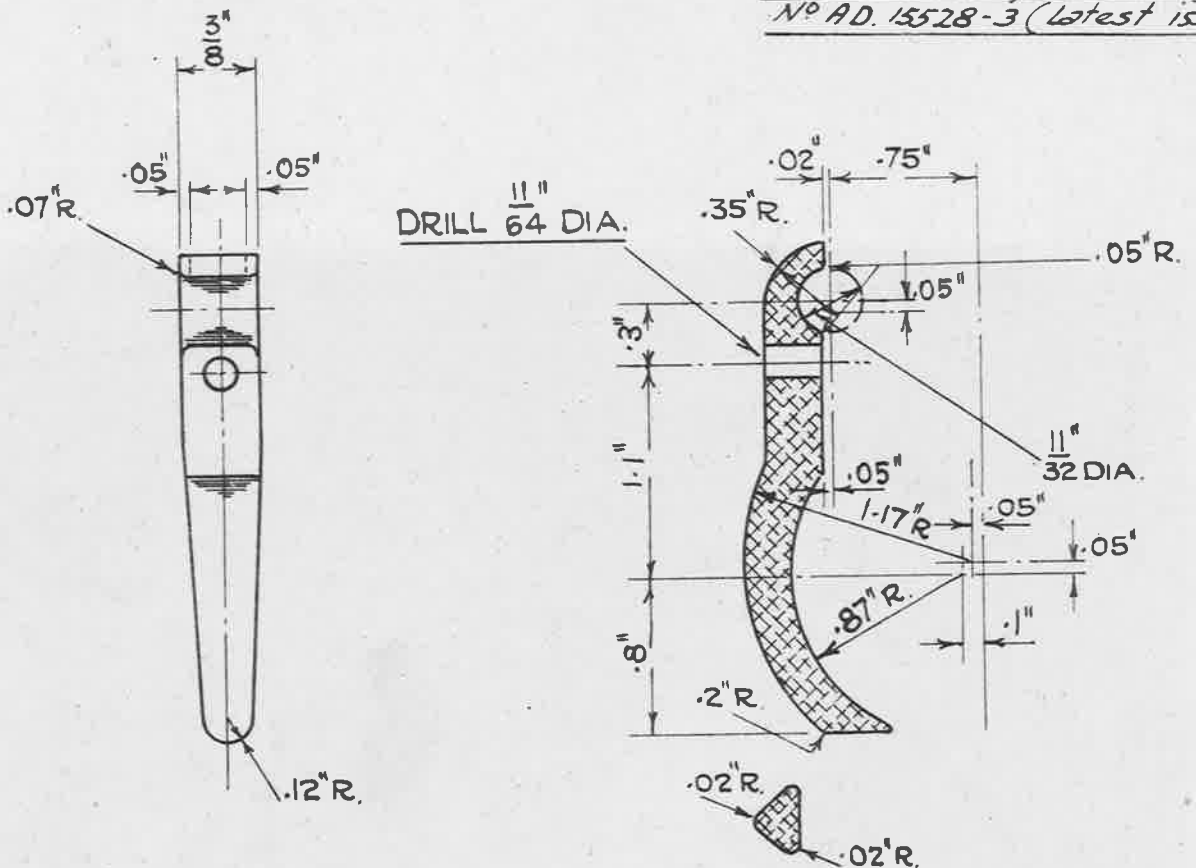


PART A.

BAR OR DIE CAST
ALUM^N SPEC: L1, L3, L33, D.T.D. 423 OR
ANODICALLY TREATED. D.T.D. 428 (LATEST ISSUES)

TOLERANCE ON ALL
DIMENSIONS $\pm .005$ "

Class 3. Castings. See Drq
No AD. 15528-3 (Latest issue.)



PART B.

BAR OR DIE CAST
ALUM^N SPEC: L1, L3, L33, D.T.D. 423 OR
ANODICALLY TREATED. D.T.D. 428 (LATEST ISSUES)

TOLERANCE ON ALL
DIMENSIONS $\pm .005$ "

ISSUED BY DRAWING OFFICE DIRECTORATE OF TECHNICAL DEVELOPMENT AIR MINISTRY	TITLE— CABLE BONDING CLAMPS							RETRACTED FOR A.P.C. S.C.O.	DRAWN F.E. SWAIN	TRACED G.M.H. 13-1-39
	ISSUE No.	X	Z	B	A	B	6	7	CHECKED W. SMALLEY 5-1-25	APPROVED G.E. BAIRSTO 3-2-25
	ALTERATION	AGS/69	AGS/85	DCS/AGS/26	AGS/257	AS/AGS/93	AS. NO. AGS/215	AS. NO. AGS/224	RE/CH: R.B. BASTABLE 11-3-39	

13-540 87.42
C.T.K. 87.42