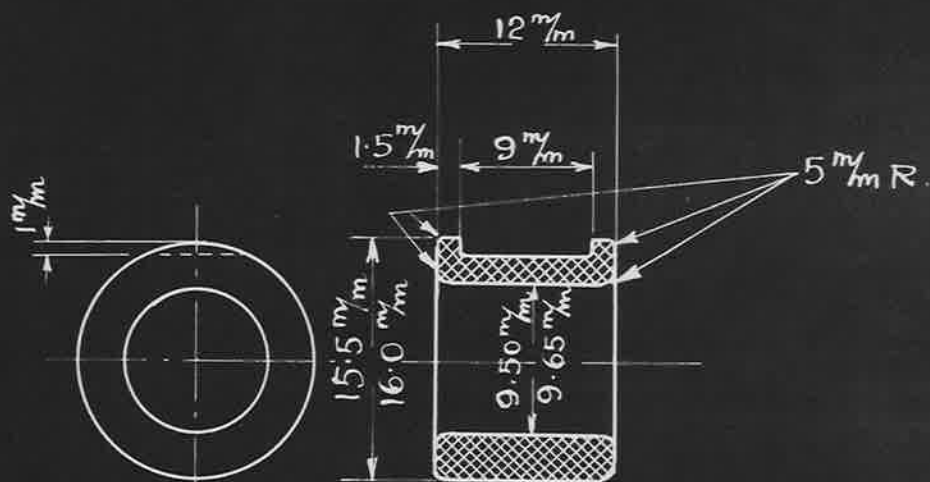


FULL SIZE VIEW OF IDENTIFICATION SLEEVE



SCALE :- 2/1

SPECIFICATION:-

THE SLEEVES ARE TO BE MOULDED TO THE DIMENSIONS SHOWN IN "SYNTHETIC RESIN COMPOUND" OF AN APPROVED GRADE & MUST BE FREE FROM CRACKS OR FLAWS.

ISSUED BY DRAWING OFFICE DIRECTORATE OF TECHNICAL DEVELOPMENT AIR MINISTRY	TITLE— IDENTIFICATION SLEEVE. H.T.						RETRACED FOR A.P.C. CHKD M.R.W. K. 16.9.41	DRAWN NICHOLS	TRACED Y. MAWER 29.12.38.
	ISSUE No.	1	3	4	5	6	CHECKED CH 1-2-30 RE CHECKED CT RAYNOLTS/241	APPROVED G.E. BAIRSTO 1.2.30	
	ALTERATION	AGS/59	AGS/12G	AGS/14G	AGS/44	AGS/402			

23-10-30
ELM. ENTRAGE.

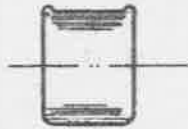
OBSOLESCE - NOT TO BE USED
IN NEW DESIGN WORK. SEE S.D.M. 267.

MINISTRY OF
SUPPLY

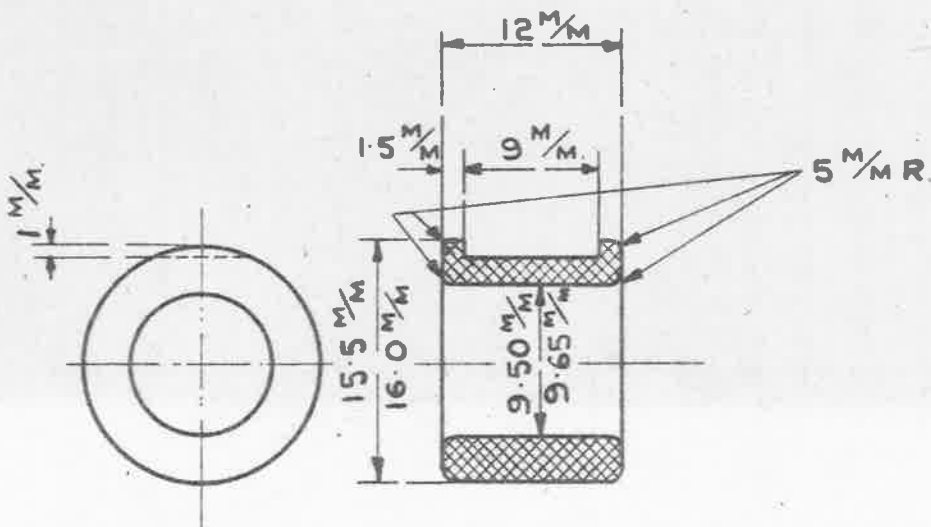
AGS.No. 1514

SHEET No 1

No of SHEETS 1



FULL SIZE VIEW OF IDENTIFICATION SLEEVE.



SCALE :- 2/1.

SPECIFICATION :-

THE SLEEVES ARE TO BE MOULDED TO THE DIMENSIONS SHOWN IN "SYNTHETIC RESIN COMPOUND" OF AN APPROVED GRADE & MUST BE FREE FROM CRACKS OR FLAWS.

ISSUED BY
ROYAL
AIRCRAFT
ESTABLISHMENT

TITLE:- SLEEVES, IDENTIFICATION,
CABLE, H.T. BLACK AND RED.

DRAWN
NICHOLS

RE-TRACED
Y. MAWER
23-12-38

ISSUE No 7 8

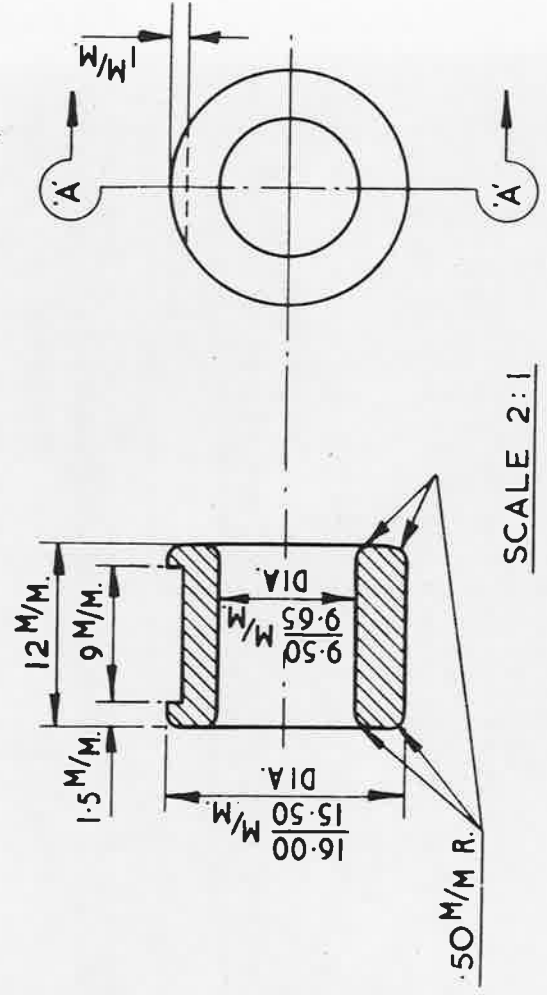
CHECKED
CH 1-2-30
AS - CHECKED
C.T. Reynolds 1937

APPROVED
G.E. BAIRSTON
1-2-30

ALTERATION No 853 1974
SM458 SM780

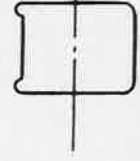
ISSUE	ALT. No.
9	F106

SM 1097



SCALE 2:1
SECTION 'A-A'

SPECIFICATION: -
THE SLEEVES ARE TO BE MOULDED TO
 THE DIMENSIONS SHOWN IN "SYNTHETIC
 RESIN COMPOUND" OF AN APPROVED GRADE
 & MUST BE FREE FROM CRACKS OR FLAWS.



FULL SIZE VIEW OF IDENTIFICATION SLEEVE

USED ON	AS ABOVE.					
DESIGNED	DRAWN	TRACED	CHECKED	APPROVED FOR S.B.A.C.	DATE	HT PT SLEEVES, IDENTIFICATION CABLE, H.T. BLACK AND RED.
F.A.L.	F.A.L.	F.A.L.	F.A.L.	<i>S. Malhotra</i>	7.5.63	
ISSUED BY THE SOCIETY OF BRITISH AIRCRAFT CONSTRUCTORS LTD., 29, KING STREET, ST. JAMES'S, LONDON, S.W.1.						
REF. DRAWING OR PART No.				DESCRIPTION	AS NOTED.	LIMITS NOT SHOWN
					SCALE	
					HT	
AS ABOVE.				THIRD ANGLE PROJECTION		
						A.G.S. 1514
				AS DRAWN	UNIT QTY	MATERIAL - REMARKS

SIZE B 3-8"x13"