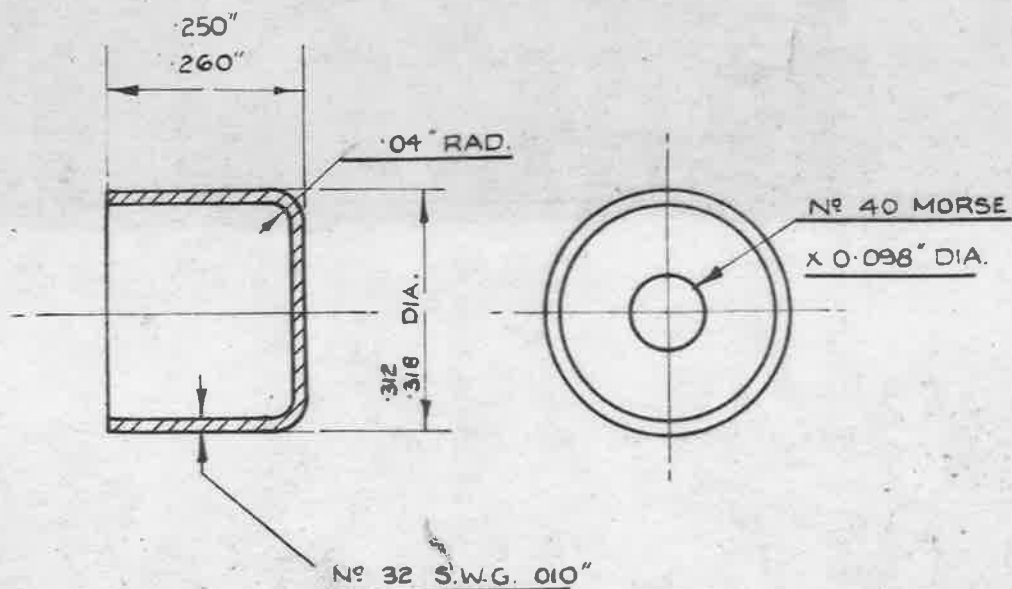




FULL SIZE.



SCALE 4/1.

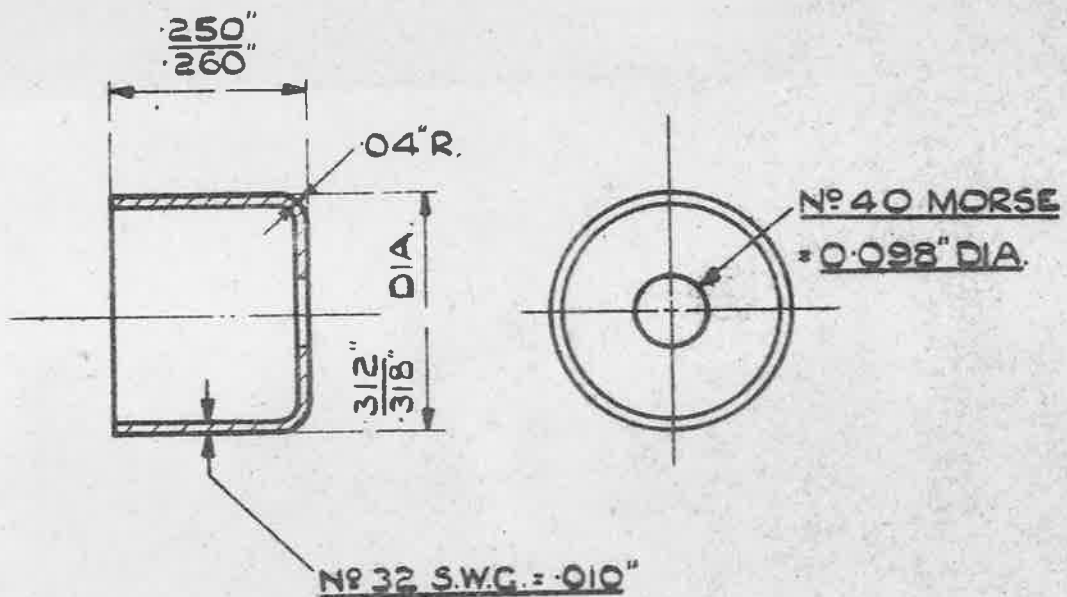
MATERIAL :- B.S. SPEC. 265 (LATEST ISSUE)

FINISH :- ELECTRO-TINNED, THICKNESS NOT LESS THAN .0002.

ISSUED BY DRAWING OFFICE DIRECTORATE OF TECHNICAL DEVELOPMENT. AIR MINISTRY.	TITLE :- THIMBLE FOR H.T. CABLES.					DRAWN	TRACED Bm. 4-9-45
	ISSUE N°	1	2	3	4	5	CHECKED
	ALTERATION N°	AGS / 69	AGS / 86	AS N° AGS 270	AS N° AGS 300	AS N° AGS 310	

D

FULL SIZE.



SCALE:- 4/1

MATERIAL:- BRASS, B.S. SPEC: 265. (LATEST ISSUE)

FINISH:- ELECTRO - TIN TO SPEC: D.T.D. 924. (LATEST ISSUE).

ISSUED BY ROYAL AIRCRAFT ESTABLISHMENT.	TITLE - THIMBLE FOR H.T. CABLES.		DRAWN FROM AB.5973.	RE-TRACED FHEWETT 28.12.38
	ISSUE No	6	CHECKED G. K. 2-12-5	APPROVED G.E. BARRIST 1-1-25.
	ALTERATION No	176	RE-TRACED G.E. BARRIST	

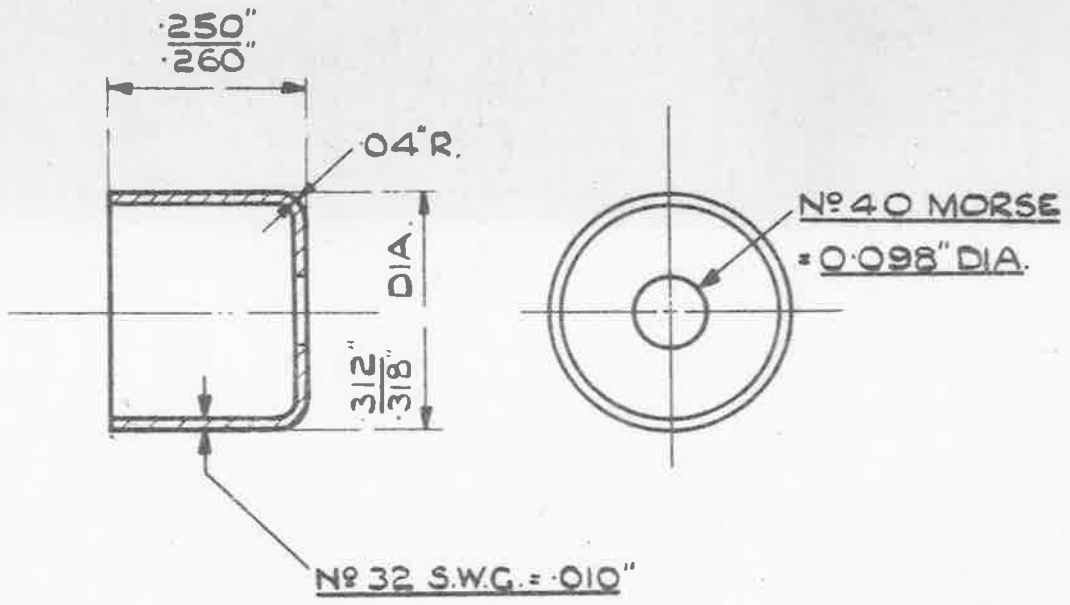
SM.508

OBSOLESCE - NOT TO BE USED
IN NEW DESIGN WORK. SEE S.D.M. 267.

MINISTRY OF SUPPLY AGS. No. 1518
SHEET No. 1 No. OF SHEETS 1

D

FULL SIZE



SCALE: - 4/1

MATERIAL: - BRASS, B.S. SPEC: 265. (LATEST ISSUE)

FINISH: - ELECTRO - TIN TO SPEC: D.T.D. 924, (LATEST ISSUE)

ISSUED BY ROYAL AIRCRAFT ESTABLISHMENT.	TITLE: - THIMBLE FOR H.T. CABLES.	DRAWN FROM A.B. 5973.	RE-TRACED FHEWETT 28-12-38
	ISSUE No 6 7	CHECKED G.H.S. 2-12-5	APPROVED G.E. BAIRSTO 14-1-25
	ALTERATION No 876 974	RE: CH T Reynolds	
	SM 589 SM 780		