

ALL EDGES TO BE ROUNDED TO SEMI-CIRCLE

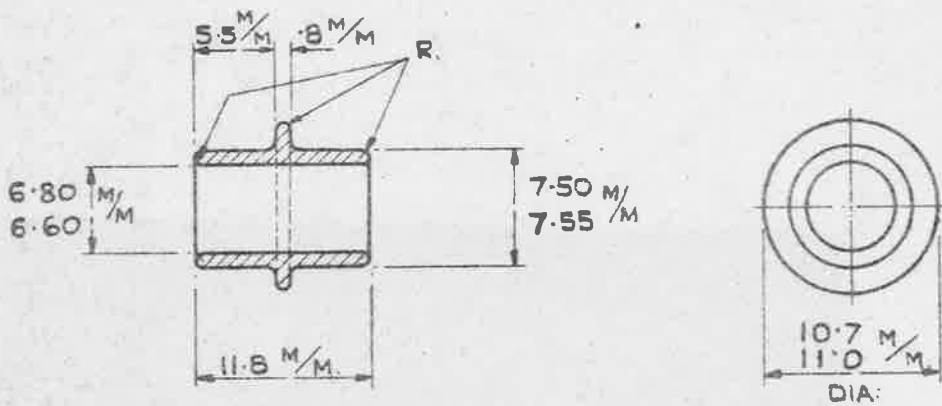
SCALE: - TWICE FULL SIZE

MATERIAL: - BRASS TUBE

FINISH ELECTRO-TINNED THICKNESS NOT LESS THAN .0002"

7.35
6.70
1.65

ISSUED BY: DRAWING OFFICE SUBMITTED BY: AIR MINISTRY AIR MINISTRY	TITLE: SLEEVE INNER FOR UNISHEATHMET 7 CABLE (LT)					DRAWN BY:	CHECKED BY:
	ISSUE NO: 2	3	4	5	6	LABELLED:	APPROVED:
	OPERATOR:					DATE:	SIGNATURE:



ALL EDGES TO BE ROUNDED TO SEMI-CIRCLE.

SCALE:- TWICE FULL SIZE.

MATERIAL:- BRASS TUBE.

FINISH:- ELECTRO-TINNED, THICKNESS NOT LESS THAN .0002"

ISSUED BY ROYAL AIRCRAFT ESTABLISHMENT	TITLE:- SLEEVES, BONDING, METAL BRAIDED CABLE, LT. INNER, TYPE A.				DRAWN G.H. ORMSTON	RE-TRACED D.D. 25-1-39.
	ISSUE Nº	7			CHECKED G.H. RE'CH: R.B. BASTABLE	APPROVED G.W. 20-5-37.
	ALTERATION Nº	AS/AL'S OR SM468				