

SCALE - TWICE FULL SIZE.

MATERIAL - BRASS TUBE

FINISH :- ELECTRO-TINNED, THICKNESS NOT LESS THAN 0002"

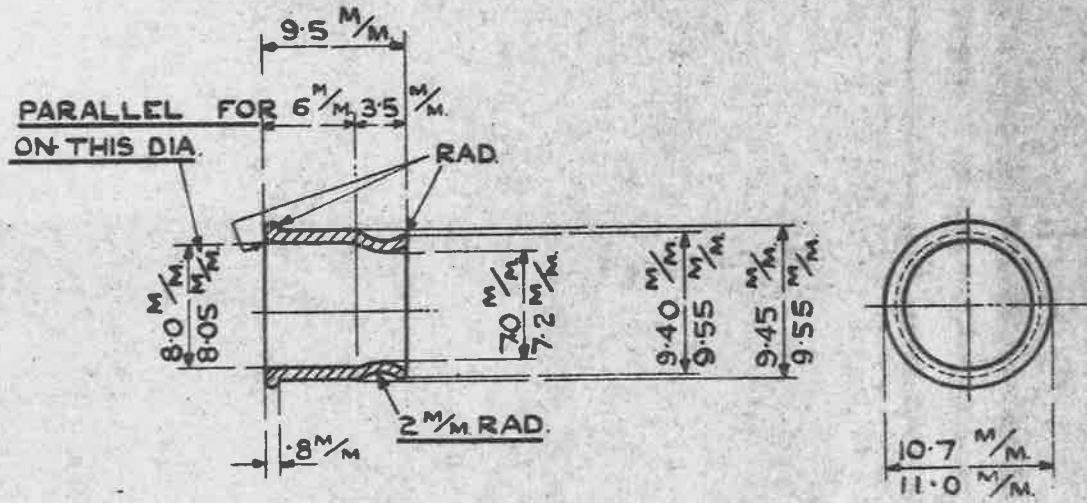
CSC

7	8
AS NR.	AS NO.
14 5278	155 393
12.2.43	

ISSUED BY DRAWING OFFICE		TITLE :- SLEEVE (OUTER) FOR UNISHEATHMET 7 CABLE (LT)				DRAWN	RE-TRACED
DIRECTORATE OF TECHNICAL DEVELOPMENT		ISSUE No.	4	4	5	CHECKED	CHECKED BY
AIR MINISTRY		ALTERATION No.					TRACING

MOD. 11P  
A. G. 1493  
18.12.40  
J.M.

FIG. A.E. PENN



ALL EDGES TO BE ROUNDED OFF.

SCALE :- TWICE FULL SIZE.

MATERIAL :- BRASS TUBE.

FINISH:- ELECTRO-TINNED THICKNESS NOT LESS THAN .0002

ISSUED BY ROYAL AIRCRAFT ESTABLISHMENT	TITLE :- SLEEVES, BONDING, METAL BRAIDED CABLE, L.T. OUTER, TYPE A.			DRAWN G.H. ORMSTON	RE-TRACED F.R. GRUBER.
	ISSUE No	9		CHECKED G.H. RE-CHECKED R.BASTABLE	APPROVED G.B. IRSTO 3-2-25
	ALTERATION No	B53			