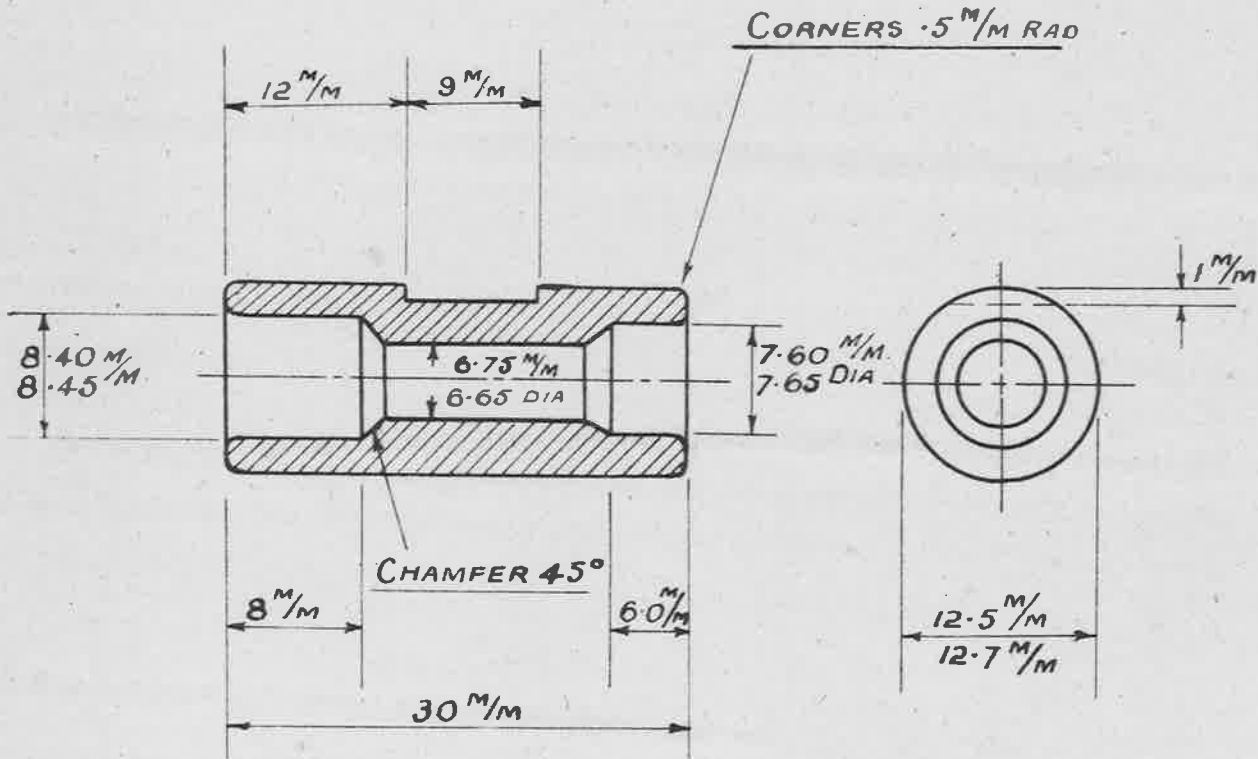


925  
RE PENN



SCALE :- TWICE FULL SIZE.

SPECIFICATION:- THE SLEEVES ARE TO BE MOULDED TO THE DIMENSIONS SHOWN IN "SYNTHETIC RESIN COMPOUND" OF AN APPROVED GRADE & MUST BE FREE FROM CRACKS OR FLAWS

ISSUED BY DRAWING OFFICE DIRECTORATE OF TECHNICAL DEVELOPMENT AIR MINISTRY	TITLE— <b>L.T. INSULATING SLEEVE</b>				RETRACED FOR A.P.C. CHKD M.A.W. 19 4.	DRAWN	TRACED R.G. 20-1-25
	ISSUE No.	1	2			CHECKED	APPROVED
	ALTERATION	A.G.S./69	A.G.S./118				

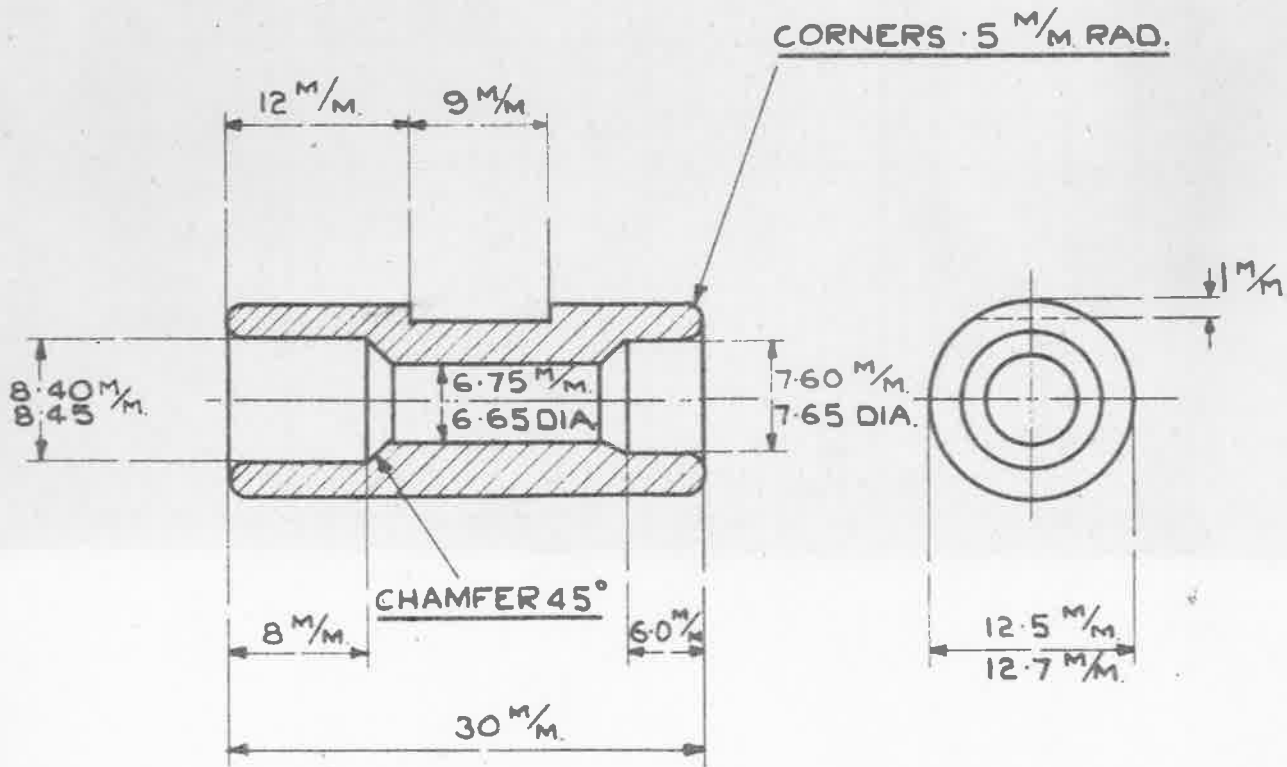
**OBSOLESCE** - NOT TO BE USED  
IN NEW DESIGN WORK. SEE S.D.M. 267

MINISTRY OF  
SUPPLY

AGS.No. 1522

SHEET No. 1

No of SHEETS. 1



SCALE:- TWICE FULL SIZE.

SPECIFICATION:- THE SLEEVES ARE TO BE MOULDED TO THE DIMENSIONS SHOWN IN "SYNTHETIC RESIN COMPOUND" OF AN APPROVED GRADE, & MUST BE FREE FROM CRACKS OR FLAWS.

ISSUED BY  
ROYAL  
AIRCRAFT  
ESTABLISHMENT

TITLE:- SLEEVES, INSULATING, CABLE,  
L.T. BLACK AND RED.

DRAWN  
ORMSTON.

RE-TRACED  
Y. MAWER.  
11-1-39.

ISSUE No	2	3	4
ALTERATION No	A.G.E.	A.S./A.C.S. 100/A.C.S.	853 974
	U.B.		

CHECKED  
G.A.  
RE-CHECKED  
R.B. BASTABLEY 17/1/39

APPROVED  
G.W. 1-7-37

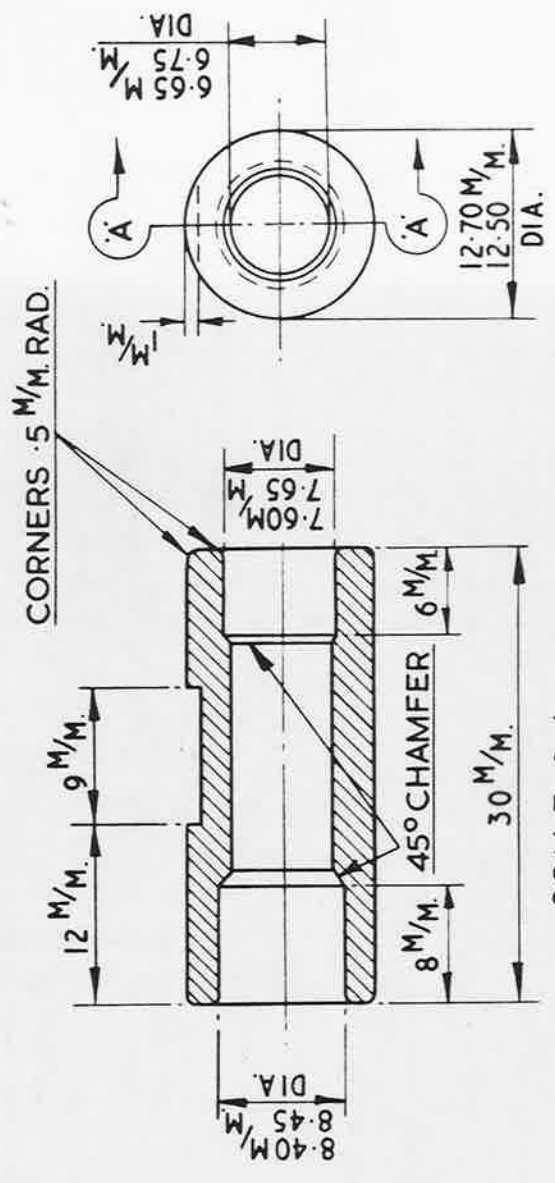
S1458 SMT80

ISSUE	ALT. No.
5	F106

SM 1097



FULL SIZE VIEW OF INSULATING SLEEVE



SCALE 2:1

SECTION 'A-A'

SPECIFICATION:-  
THE SLEEVES ARE TO BE MOULDED TO  
THE DIMENSIONS SHOWN IN 'SYNTHETIC  
RESIN COMPOUND' OF AN APPROVED  
GRADE & MUST BE FREE FROM CRACKS  
OR FLAWS.

USED	REF.	DRAWING OR PART No.	AS ABOVE	DESCRIPTION	AS DRAWN	OPP. HAND	MATERIAL - REMARKS
ON							
DESIGNED	HT	PT	SCALE	AS NOTED	LIMITS NOT SHOWN		THIRD ANGLE PROJECTION.
ISSUED BY THE SOCIETY OF BRITISH AIRCRAFT CONSTRUCTORS LTD., 29, KING STREET, ST. JAMES'S, LONDON, S.W.1.		SLEEVES, INSULATING, CABLE, L.T. BLACK AND RED.		A.G.S. 1522.			

10/11/63 1498-6/63

SIZE A5-B-13