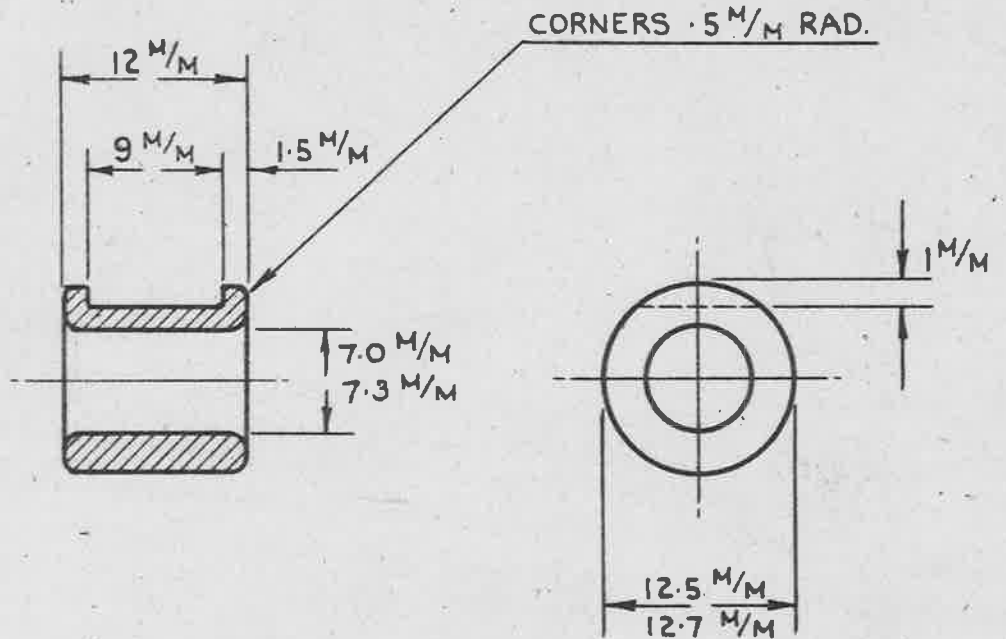


24-3-25
R.E. PENN

AIR MINISTRY A.G.S. No^T 1523

SHEET No 1 | No OF SHEETS 1



SCALE: TWICE FULL SIZE.

SPECIFICATION: THE SLEEVES ARE TO BE MOULDED TO THE DIMENSIONS SHOWN, IN "SYNTHETIC RESIN COMPOUND" OF AN APPROVED GRADE, & MUST BE FREE FROM CRACKS OR FLAWS.

ISSUED BY DRAWING OFFICE DIRECTORATE OF TECHNICAL DEVELOPMENT. AIR MINISTRY	TITLE:- IDENTIFICATION SLEEVE. L.T.					DRAWN ORMSTON	RE-TRACED L.E.B. 17-1-39
	ISSUE No	4	5			CHECKED V.P. G.H.	APPROVED G.W. 1-7-37.
	ALTERATION No	A.G.S. 146	mod. No. A.G.S./402			RE-CHECKED W.L. K B BASTABLE 2-2-39	

19-8-27 14-12-40

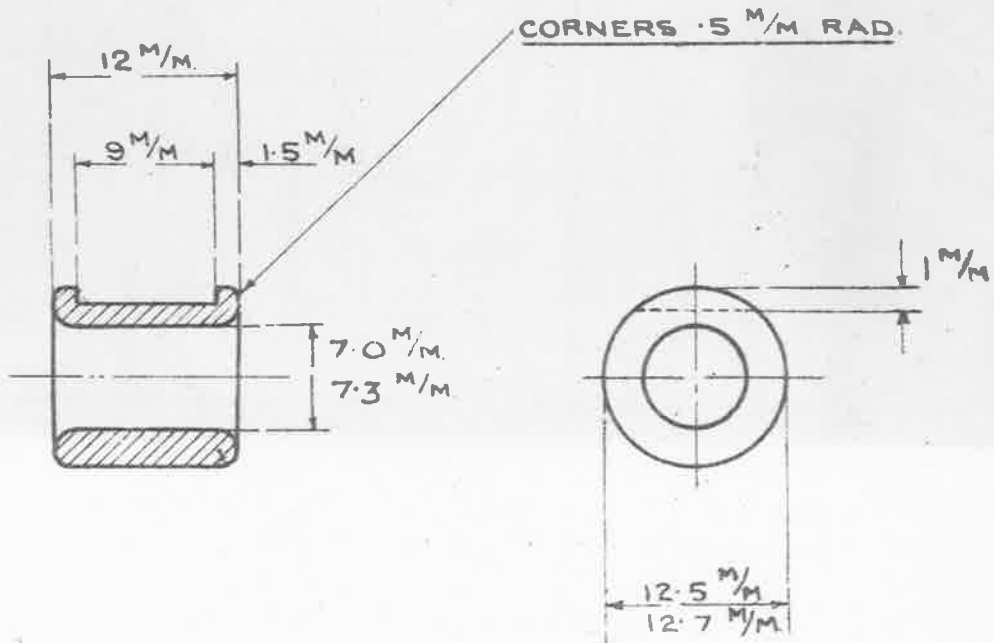
OBSOLESCE - NOT TO BE USED
IN NEW DESIGN WORK. SEE S.O.M. 267

MINISTRY OF
SUPPLY.

AGS. No 1523

SHEET No. 1

No OF SHEETS 1

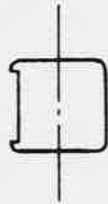


SCALE:- TWICE FULL SIZE.

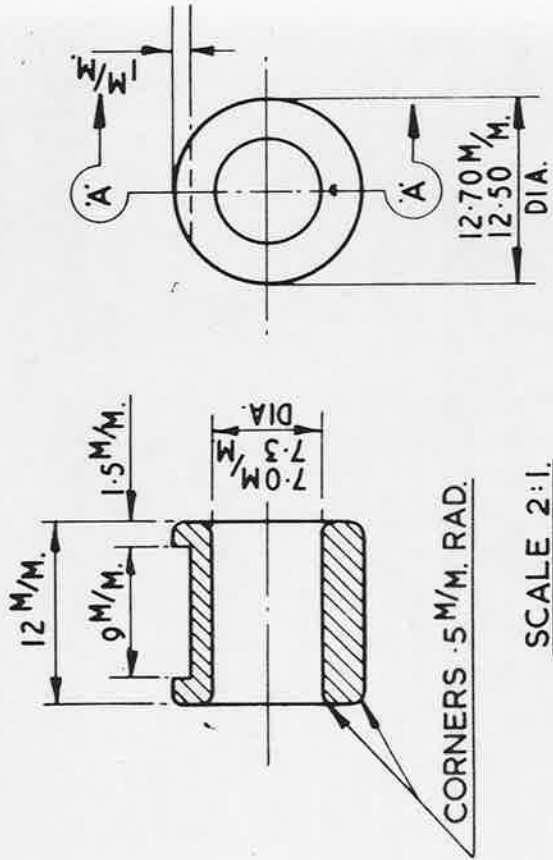
SPECIFICATION:- THE SLEEVES ARE TO BE MOULDED TO THE DIMENSIONS SHOWN, IN "SYNTHETIC RESIN COMPOUND" OF AN APPROVED GRADE & MUST BE FREE FROM CRACKS OR FLAWS.

ISSUED BY ROYAL AIRCRAFT ESTABLISHMENT	TITLE - SLEEVES, IDENTIFICATION, CABLE L.T. BLACK AND RED.					DRAWN ORMSTON.	RE-TRACED L.E. 8.17-1-39
	ISSUE No	A	8	8	7	CHECKED G.H. RE-CHECKED R.B. BASTABLE	APPROVED G.W. 1-7-37
ALTERATION No	146	Mod. No	AGS/402	853	974	2.2.39	

SM458 SM180



FULL SIZE VIEW OF IDENTIFICATION SLEEVE



CORNERS .5 M/M. RAD.

SCALE 2:1.

SECTION 'A-A'

SPECIFICATION :-
THE SLEEVES ARE TO BE MOULDED TO THE
DIMENSIONS SHOWN IN "SYNTHETIC RESIN
COMPOUND" OF AN APPROVED GRADE &
MUST BE FREE FROM CRACKS OR FLAWS.

SM 1097.

ISSUE
8

ALT. No.
FM06

USED ON	DESIGNED	DRAWN	TRACED	CHECKED	APPROVED FOR	DATE	HT	PT	DESCRIPTION	AS ABOVE	AS DRAWN UNIT QTY	MATERIAL - REMARKS
	F. A. L.	F. A. L.	F. A. L.	F. A. L.	S. B. A. C. <i>Mitchell</i>	7.5.63						
ISSUED BY THE SOCIETY OF BRITISH AIRCRAFT CONSTRUCTORS LTD., 29, KING STREET, ST. JAMES'S, LONDON, S.W.1.							SLEEVES, IDENTIFICATION, CABLE, L.T. BLACK AND RED.					
							A.G.S. 1523.					