

MATERIAL - BRASS TUBE TO B.S. SPEC 886

FINISH - ELECTRO-TINNED ALL OVER THICKNESS NOT LESS THAN 0002

ISSUED BY ROYAL AIRCRAFT	TITLE - CABLE LUG						
	4	5	6	7			
ALTERED BY							

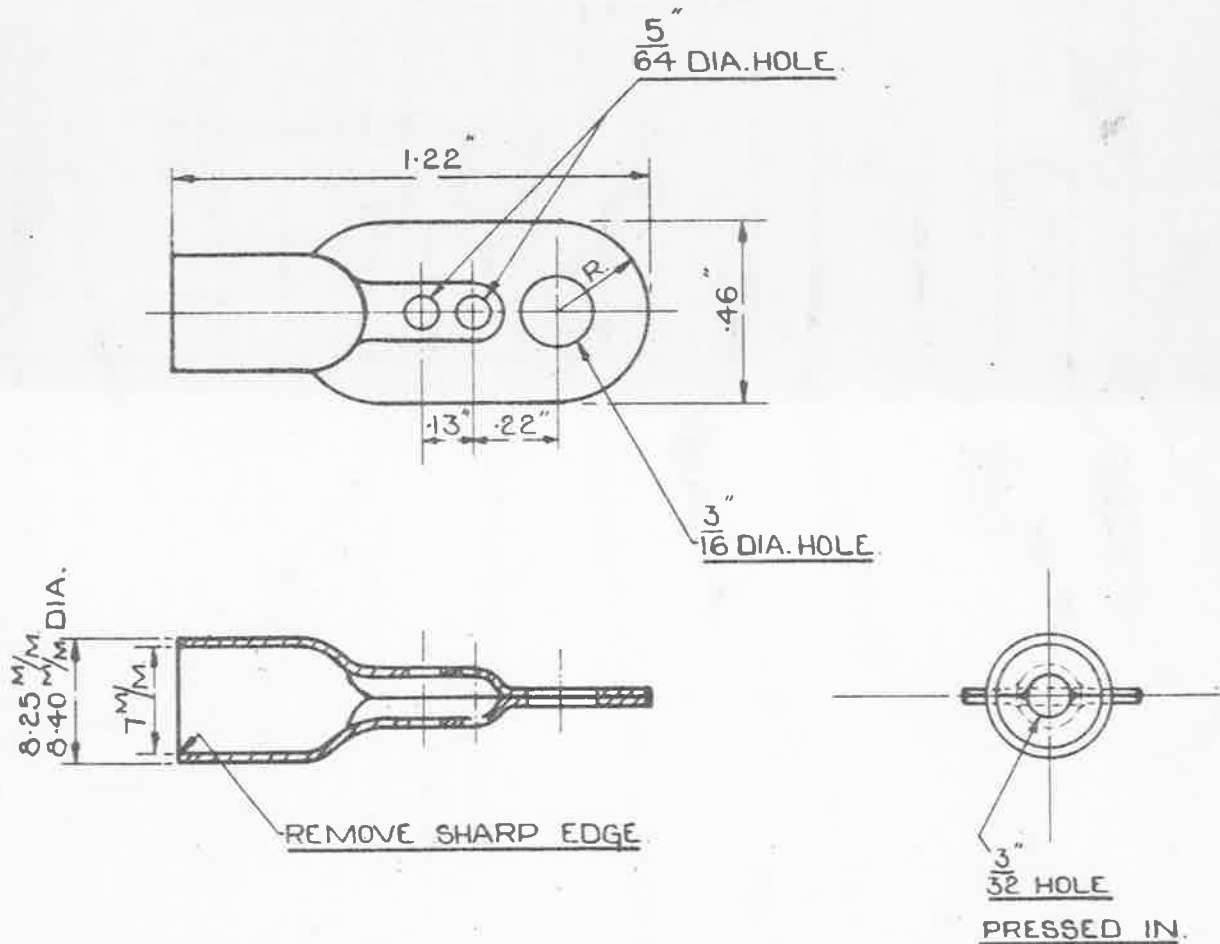
OBSOLESCE - NOT TO BE USED
IN NEW DESIGN WORK. SEE S.D.M. 256.

MINISTRY OF
AIRCRAFT PRODUCTION

AGS No. 1524.

SHEET No. 1

No. OF SHEETS 1



MATERIAL:- BRASS TUBE TO B.S. SPEC. 886.

FINISH:- ELECTRO-TINNED ALL OVER, THICKNESS NOT LESS THAN .0002"

ISSUED BY ROYAL AIRCRAFT ESTABLISHMENT.	TITLE:- 7 M/M CABLE LUGS.					SM 779	DRAWN C. G. HALL.	TRACED-RE. H. JOHNSON. 1-1-46.
	ISSUE NO	4	5	6	7	8	CHECKED H. T. HOAR	APPROVED
	ALTER ^N NO	DCS AAS/26	MOD/ACG AAS/402	AS. NO. AGS/270	AS. NO. AGS/395	MOD/ACG 973	RE-CHECKED. H. J. SHIPP	S. W. 1-7-37
	16-8-27 A.A.M.	14-12-40 J.M.	26-9-42 H.T.H.	4-1-36 H.J.S.		4-1-46		