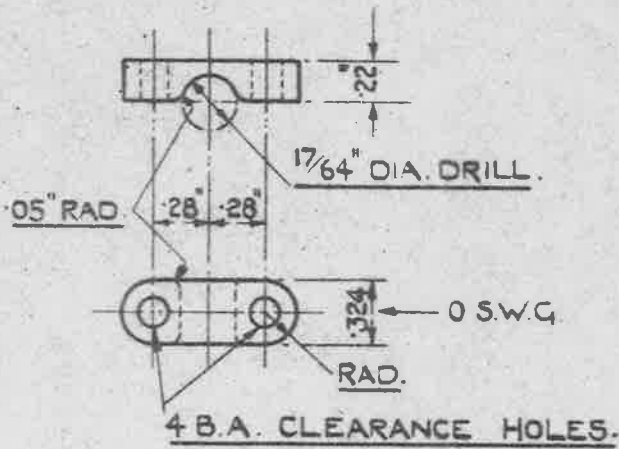
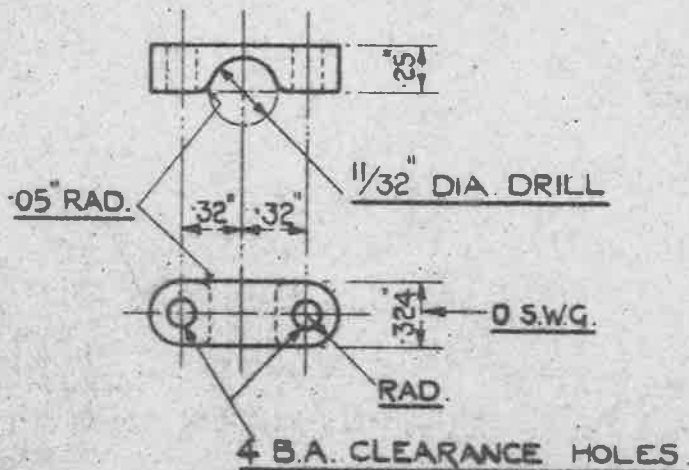


27.6.46  
REF. AGS:161.



PART A

FOR L.T. METAL BRAIDED CABLES.



PART B

FOR H.T. METAL BRAIDED CABLES.

**OBSOLESCENT**  
AVAILABLE AS REPLACEMENTS  
FOR EXISTING DESIGNS ONLY

DIE CASTING.

MATL:- ALUM ALLOY L.33. (LATEST ISSUE).

FINISH:- NATURAL

CLASS 3 CASTING, SEE DRG. NO. A.D. 15528-3 (LATEST ISSUE).

TOLERANCE ON ALL  
DIMENSIONS ± .005"

MINISTRY OF SUPPLY  
APPLICATIONS FOR A.G.S.  
SHEETS TO A.T.P. 4,  
CHESSINGTON, SURREY.  
GENERAL ENQUIRIES TO  
R.D./S.A.E., ST GILES COURT  
1-13 ST GILES HIGH STREET  
LONDON, W.C.2.

TITLE:- CABLE CLAMPS FOR SINGLE  
METAL BRAIDED H.T. & L.T. CABLES.

RE-DRAWN  
C.T. Reynolds.

RE-TRACED  
16-3-46

ISSUE NO. 9  
ALTER. NO. 10  
MOD. NO. AGS/615  
MOD. AGS. 931

CHECKED  
*[Signature]*

APPROVED  
*[Signature]*