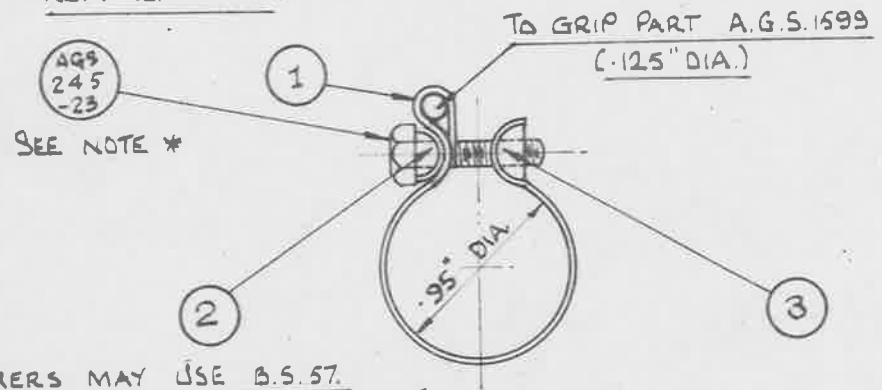


MARK A.  
 (FOR GENERATOR 12 VOLTS 500 WATT.)  
 REF. NO. 5C/307.

MARK B.

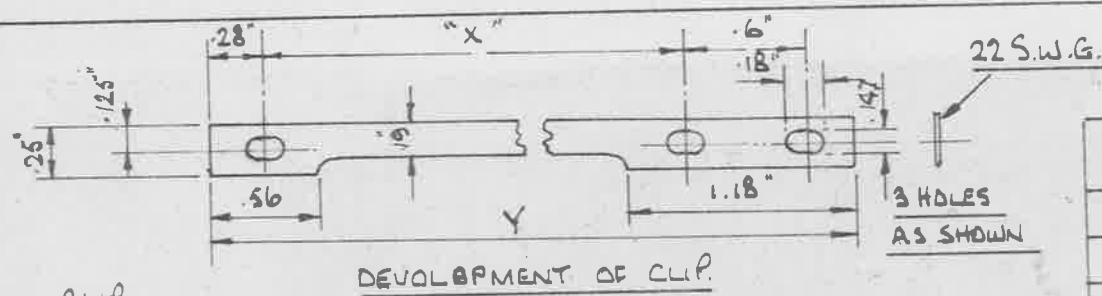


MARK C.  
 (FOR BONDED SPARKING PLUGS.)

\* MANUFACTURERS MAY USE B.S. 57.  
 4 B.A. SCREW, STEEL, ROUND HEAD, LENGTH  $\frac{5}{8}$ "  
 CADMIUM PLATED.

ASSEMBLY OF CLIPS

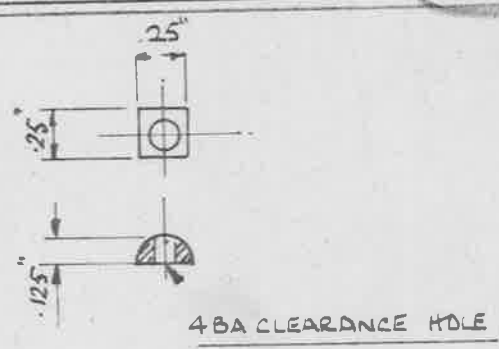
SCALE: FULL SIZE.



MARK	DIMENSIONS	
	"X"	"Y"
A	2.20"	3.33"
B	3.15"	4.28"
C	3.1"	4.23"

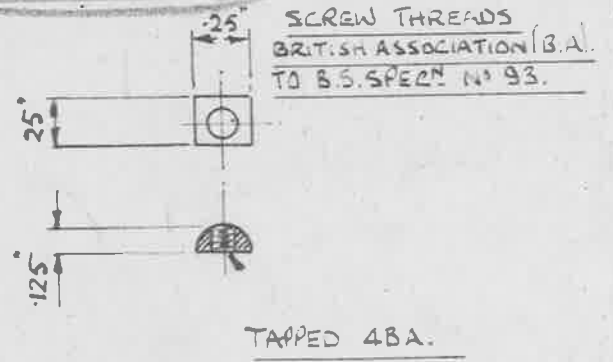
1 CLIP  
 MATERIAL: - STEEL  
 B.S. SPEC: - S3 (LATEST ISSUE)

FINISH:  
 TO BE CADMIUM PLATED TO  
 SPEC D.T.D. 904 (LATEST ISSUE).



2 WASHER  
 MATERIAL: - STEEL  
 B.S. SPEC: - S3 (LATEST ISSUE)

FINISH:  
 TO BE CADMIUM  
 PLATED TO SPEC:  
 D.T.D. 904 (LATEST  
 ISSUE)



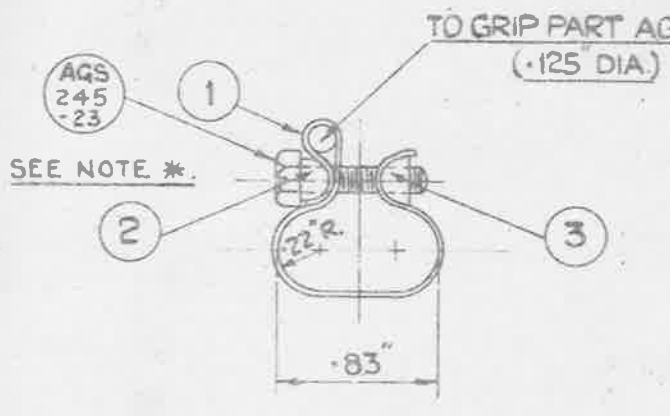
3 NUT  
 MATERIAL: - STEEL  
 B.S. SPEC: - S3 (LATEST ISSUE)

FINISH:  
 TO BE CADMIUM PLATED  
 TO SPEC. D.T.D. 904  
 (LATEST ISSUE).

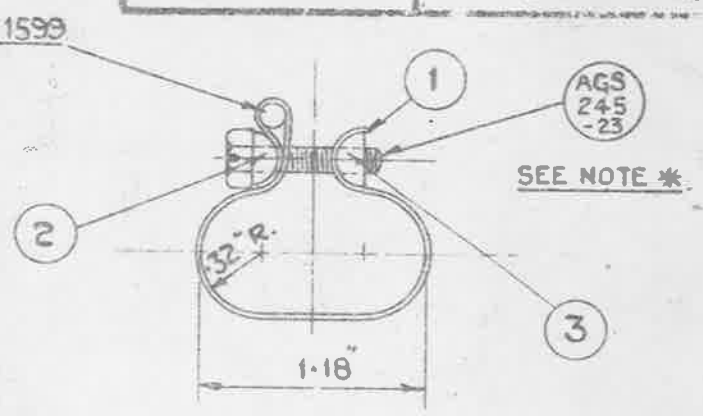
ISSUED BY ROYAL AIRCRAFT ESTABLISHMENT	TITLE: BONDING CLIPS (FOR SPARKING PLUGS & GENERATORS).				DRAWN J.H. MILLS.	RETRACTED D.A.P. G.A.F. 1.2.50
	ISSUE NO	12	4			
	ALTERATION NO	663				

**OBSOLESCE** - NOT TO BE USED  
IN NEW DESIGN WORK. SEE S.D.M. 265.

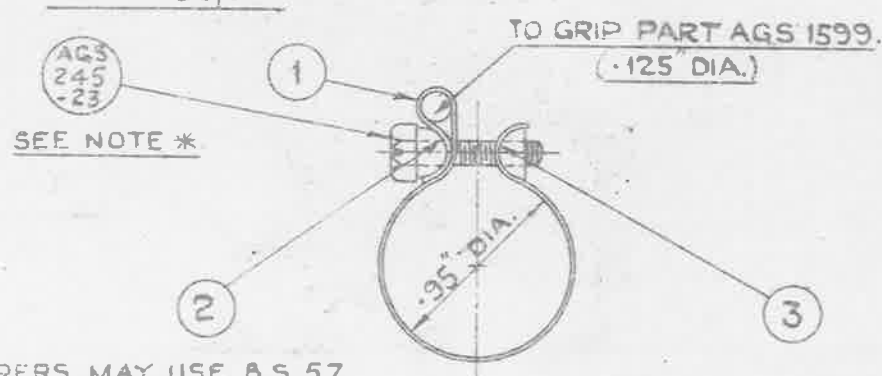
MINISTRY OF SUPPLY **AGS No 1534**  
**SHEET No. 1. No of SHEETS 1.**



**MARK A.**  
(FOR GENERATOR, 12 VOLTS, 500 WATT.)  
REF. NO SC/307.



**MARK B.**

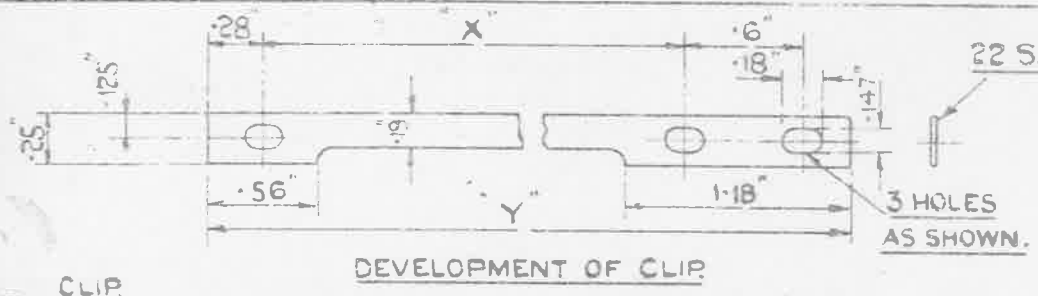


**MARK C.**  
(FOR BONDED SPARKING PLUGS.)

\* MANUFACTURERS MAY USE B.S. 57.  
4 B.A. SCREW, STEEL, ROUND HEAD, LENGTH 5/8".  
CADMIUM PLATED.

ASSEMBLY OF CLIPS.

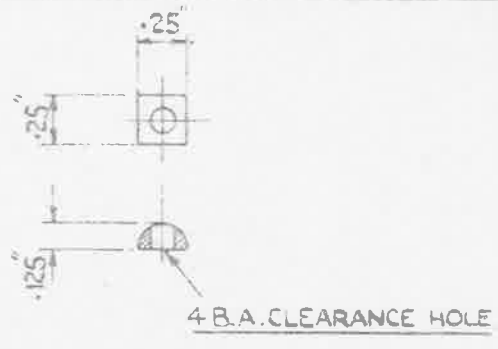
SCALE:-FULL SIZE.



MARK	DIMENSION	
	X"	Y"
A	2.20"	3.33"
B	3.15"	4.28"
C	3.1"	4.23"

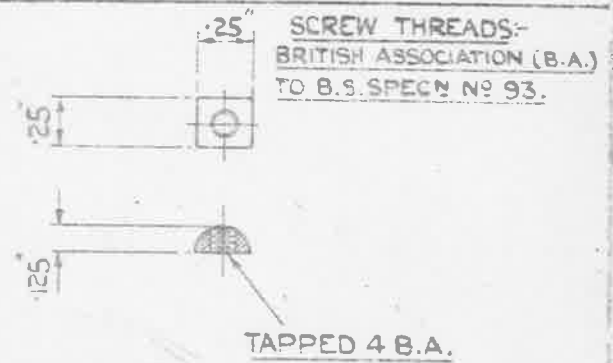
**1** CLIP  
MATERIAL:- STEEL.  
B.S. SPEC:- S3. (LATEST ISSUE)

FINISH:-  
TO BE CADMIUM PLATED TO  
SPEC: D.T.D. 904 (LATEST ISSUE).



**2** WASHER.  
MATERIAL:- STEEL.  
B.S. SPEC:- S3. (LATEST ISSUE)

FINISH:-  
TO BE CADMIUM  
PLATED TO SPEC:  
D.T.D. 904 (LATEST  
ISSUE).



**3** NUT.  
MATERIAL:- STEEL.  
B.S. SPEC:- S3. (LATEST ISSUE)

FINISH:-  
TO BE CADMIUM PLATED  
TO SPEC: D.T.D. 904,  
(LATEST ISSUE).

SCREW THREADS:-  
BRITISH ASSOCIATION (B.A.)  
TO B.S. SPECN NO 93.

ISSUED BY  
ROYAL  
AIRCRAFT  
ESTABLISHMENT

TITLE - BONDING CLIPS.  
(FOR SPARKING PLUGS & GENERATORS.)

DR. W.A. T.H. MILLS.  
RET. P.T.C. DW. 10-1-39  
CHECKED: G. BAIRSTO 8-3-32  
APPROVED: G. BAIRSTO 8-3-32

ISSUE No	12	13		
ALTERATION No	AS/MS/663	MOD/AGS/975		