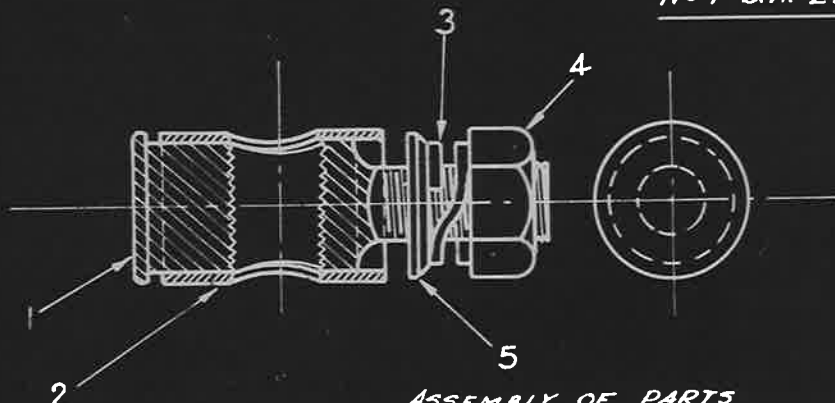


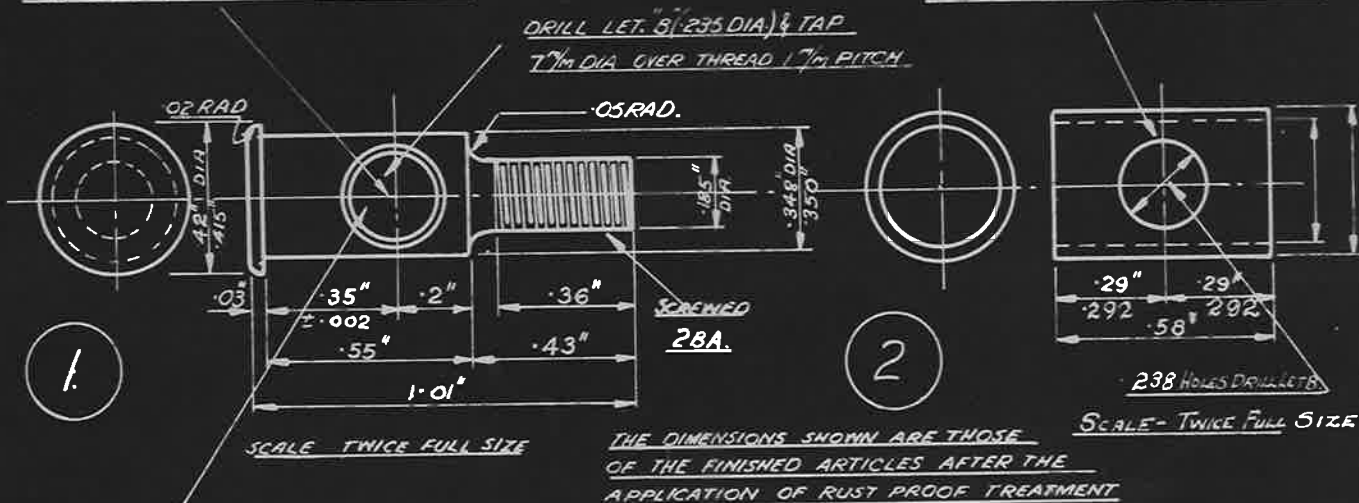
NOTE: THIS ADAPTOR IS SUITABLE FOR PLUGS WITH No. 0BA & No 1 B.A. ELECTRODE ONLY



ASSEMBLY OF PARTS  
SCALE: TWICE FULL SIZE

THE CENTRE OF THIS HOLE MUST NOT BE MORE THAN 0.001" OFF HORIZONTAL AXIS OF BARREL

THE CENTRE OF THIS HOLE MUST NOT BE MORE THAN .001 OFF HORIZONTAL AXIS OF SLEEVE



SCALE TWICE FULL SIZE

SCALE - TWICE FULL SIZE

NOTE THIS HOLE IS UNIMPORTANT AS REGARDS THREAD FORM. TAPPED ONLY FOR THE PURPOSE OF AFFORDING A GOOD GRIP ON THE PLUG ELECTRODE

DIMENSIONS ARE IN INCHES

SCREW THREADS - BRITISH ASSOCIATION (BA) TO B.S SPEC. No 93

ONE COMPLETE ADAPTOR CONSISTS OF THE FOLLOWING PARTS					
PART NO	DRG. NO	DESCRIPTION	NO OFF	MATS	B.S.S. SPEC (LAT. 193)
1	AGS 1535-1	BARREL	1	STEEL	52
2	AGS 1535-2	SLEEVE	1	STEEL	52
3	AGS 163-C	SPRING WASHER	1		
4	C.P.	2BA NUT (ORDINARY)	1		A1-S1
5	AGS 160-C	BRIGHT CHAMFERED WASHER	1		

PARTS 1 & 2 ONLY FINISH-COZZLETIZED OR OTHER RUST PROOF TREATMENT

ISSUE NO. 7  
ALTA NO 145769  
100 186  
AGS 1535-1  
AGS 1535-2  
AGS 163-C  
AGS 160-C  
AGS 163-C  
AGS 1535-1

ISSUED BY DRAWING OFFICE DIRECTORATE OF TECHNICAL DEVELOPMENT AIR MINISTRY	TITLE - TERMINAL ADAPTOR FOR SPARKING PLUGS.		RETRACED FOR A.P.C.	DRAWN	TRACED
	ISSUE No.	9 10		CHECKED	APPROVED
	ALTERATION	AGS 1300 145 128			