

22 GAUGE BRASS

MARK	"A"	"B"	"C"
A	28"	37"	0.5"
B	3"	43"	0.5"

MATERIAL TO BE OF BRASS TO BRITISH STANDARD SPEC<sup>N</sup> 265

(LATEST 3ND)

FINISH:- TO BE ELECTRO-TINNED. THICKNESS NOT LESS THAN .0002

ISSUED BY DRAWING OFFICE DIRECTORATE OF TECHNICAL DEVELOPMENT AIR MINISTRY	TITLE— <b>BONDING CLIPS</b>				RETRACED FOR A.P.C. 1 HD 29 341 S.C.C.	DRAWN G.A. HARGRAVE	TRIAL P.G. B-25
	NO. 1	2	3	4 #		CHECKED [Signature]	APP. [Signature]
ALTERATION	A.G.S. 53	A.G.S. 21	A.G.S. 26	A.S. NO. A.G.S. 663			

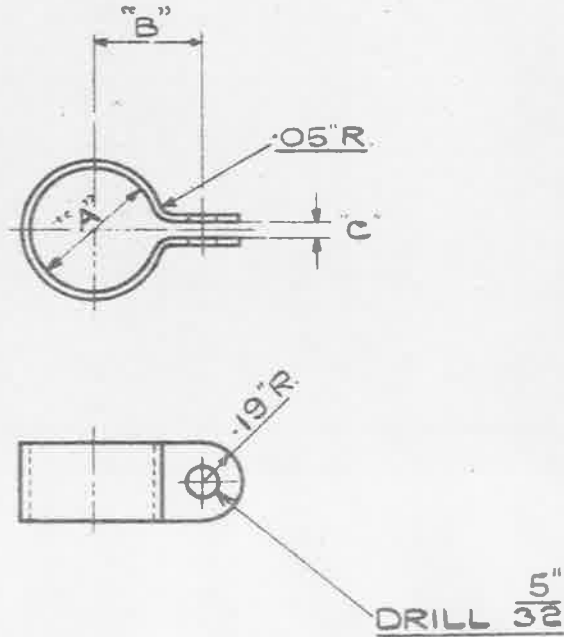
OBSOLESCENT - NOT TO BE USED  
IN NEW DESIGN WORK. SEE S.D.M. 265.

MINISTRY OF  
SUPPLY.

AGS. No. 1536.

SHEET No. 1.

No. OF SHEETS. 1.



22 GAUGE BRASS.

MARK	"A"	"B"	"C"
A	.28"	.37"	.05"
B	.37"	.43"	.05"

MATERIAL TO BE OF BRASS TO BRITISH STANDARD SPECN 265 (LATEST ISSUE)

FINISH : TO BE ELECTRO-TINNED, THICKNESS NOT LESS THAN .0002"

ISSUED BY  
ROYAL  
AIRCRAFT  
ESTABLISHMENT.

TITLE  
BONDING CLIPS.

SM781

DRAWN  
G.A. HARGRAVE

RETRACED  
PO. B. 11. 1. 39.

ISSUE No

1

2

3

4

5

CHECKED  
RE. CH. CT Reynolds

APPROVED  
G.W. 20.6.29

ALTERATION No

63

AGS

AGS/66

DCS

AGS/26

AGS

AGS/26

663

975

4 3 19