

SCALE :- FULL SIZE.

FINISH :- ELECTRO-TIN TO SPEC: D.T.D. 924, (LATEST ISSUE).

ONE COMPLETE CLIP CONSISTS OF THE FOLLOWING PARTS.

PART N ^o	DRAWING No	DESCRIPTION	N ^o OFF	MAT ^l	B.S. SPEC (LATEST ISSUE)
1	A.G.S. 1537-1	CLIP.	1	22 S.W.G BRASS.	265
2	B.12	BOLT	1	STEEL	A.31.
3	B.P.	NUT.	1	STEEL	A.27.
4	B	SPRING WASHER.	1	STEEL	S.P.47.

ISSUED BY
ROYAL
AIRCRAFT
ESTABLISHMENT

TITLE:- BONDING CLIP. FOR H.T. OUTER SLEEVE.

DRAWN
F.L.G.
31-12-24.

RE-TRACED.
D.E.YORK 22-12-38.

ISSUE N ^o	1	2	3	4
ALTERATION N ^o	AGS 29	AGS 26	AS/AGS/AGS 663	AS/AGS 876

CHECKED
G.H. 31-12-24.
RE-CHK'd T.Reynolds
6-1-25

APPROVED
G.E. BAIRSTO.
1-1-25.

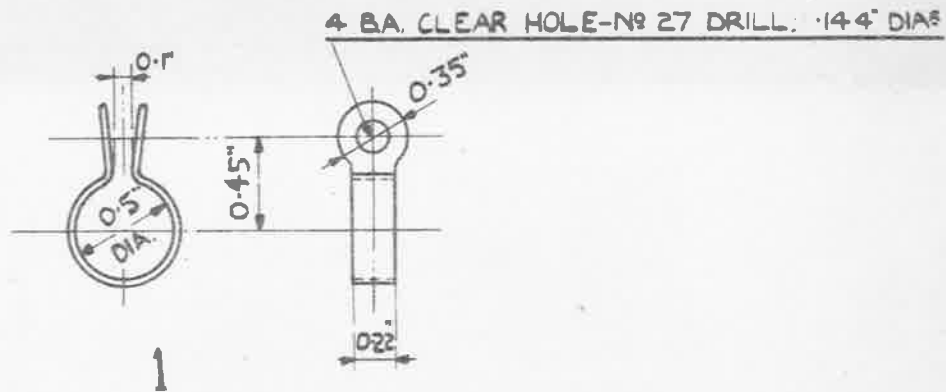
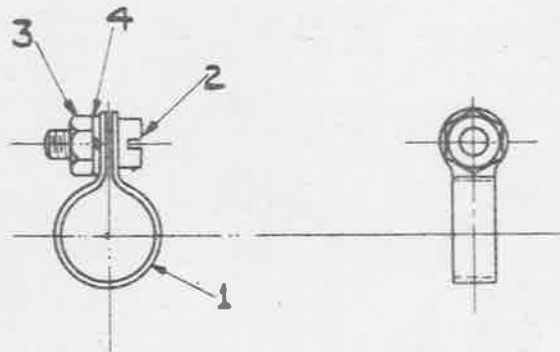
OBSOLESCE - NOT TO BE USED
IN NEW DESIGN WORK. SEE S.D.M. 265.

MINISTRY OF
SUPPLY

AGS.No. 1537.

SHEET No 1

NO OF SHEETS. 1



SCALE :- FULL SIZE.

FINISH :- ELECTRO-TIN TO SPEC: D.T.D. 924, (LATEST ISSUE).

ONE COMPLETE CLIP CONSISTS OF THE FOLLOWING PARTS.					
PART NO	DRAWING No	DESCRIPTION,	NO OFF	MAT ^{ls}	B.S SPEC (LATEST ISSUE)
1	A.G.S. 1537-1	CLIP.	1	22 S.W.G BRASS.	265
2	B. 12	BOLT.	1	STEEL	A. 31.
3	B. P.	NUT.	1	STEEL	A. 27.
4	B	SPRING WASHER.	1	STEEL	S. P. 47.

ISSUED BY
ROYAL
AIRCRAFT

TITLE:- BONDING CLIP. FOR H.T. OUTER SLEEVE.

DRAWN
P.L.G.
31-12-24.

RE-TRACED.
DEYORK. 22-12-38

ISSUE NO

1

2

3

4

5

CHECKED
G.H. 31-12-24.

APPROVED
G.E. BAIRSTO.

RE-CHK (T. Rey. id)

1-1-25

SM181