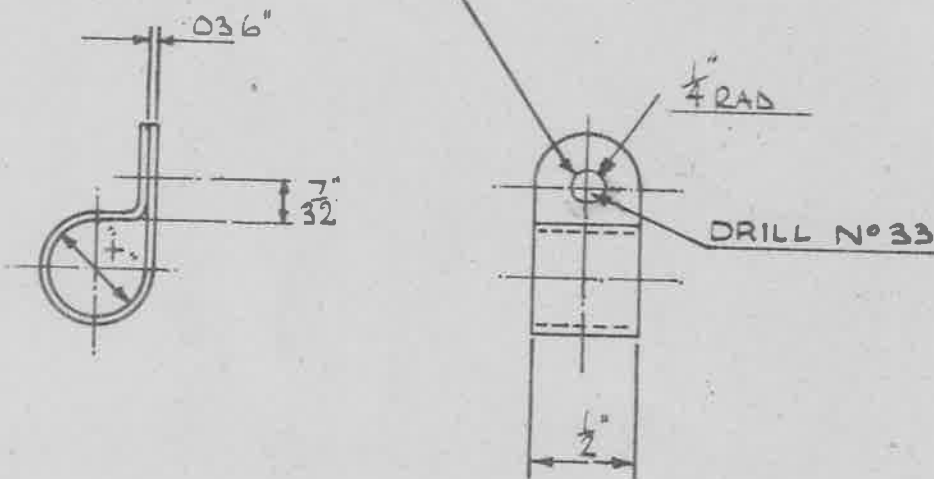


HOLE FOR R<sup>0</sup> H<sup>0</sup> WOOD SCREW  
SIZE N<sup>o</sup> 4



N<sup>o</sup> 20 S.W.G

MARK	A	B	C	D	E	I
"X"	1/4"	5/16"	3/8"	1/16"	1/2"	3/4"

MATERIAL:- BRASS B'S SPEC: 265 (LATEST ISSUE)

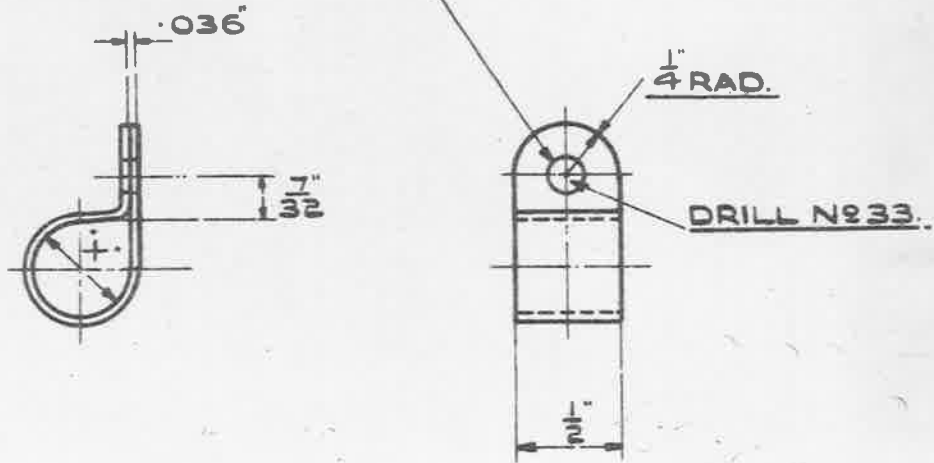
FINISH:- TO BE ELECTRO-TINNED THICKNESS NOT LESS THAN .0002"

ISSUED BY ROYAL AIRCRAFT ESTABLISHMENT.	TITLE. ELECTRIC. CABLE. CLEATS.			DRAWN C.L.M 7.12.25	RE-TRACED D.A.P. GAF LHP 12/25	
	ISSUE No	3 27	4 26	5 47	CHECKED	APPROVED.
	ALTERATION No	AS No AGS 26	AS No AGS 409	AS No AGS 663		

**OBSOLESCE** - NOT TO BE USED  
IN NEW DESIGN WORK. SEE S.D.M. 265.

MINISTRY OF SUPPLY **AGS.No.1541.**  
**SHEET No. 1** | **No. of SHEETS. 1**

HOLE FOR R<sup>D</sup> H<sup>D</sup> WOOD SCREW  
SIZE N°4.



N° 20 S.W.G.

MARK	A	B	C	D	E	I
X	1/4	5/16	3/8	7/16	1/2	3/4

MATERIAL : BRASS B.S.SPEC:265. (LATEST ISSUE.)

FINISH :- TO BE ELECTRO - TINNED , THICKNESS NOT LESS THAN .0002"

ISSUED BY  
ROYAL  
AIRCRAFT  
ESTABLISHMENT

TITLE :-  
**ELECTRIC CABLE CLEATS.**

ISSUE No **6**

ALTERATION No MOBAC 872

DRAWN  
G.L.M. 7.12.25

CHECKED  
H.C. 10.12.25  
RE: CH/REBASTAN

RE: TRACED  
J.M. STALLARD  
17.1.33

APPROVED  
G.E. BIRSTO  
10.12.25

SM 781