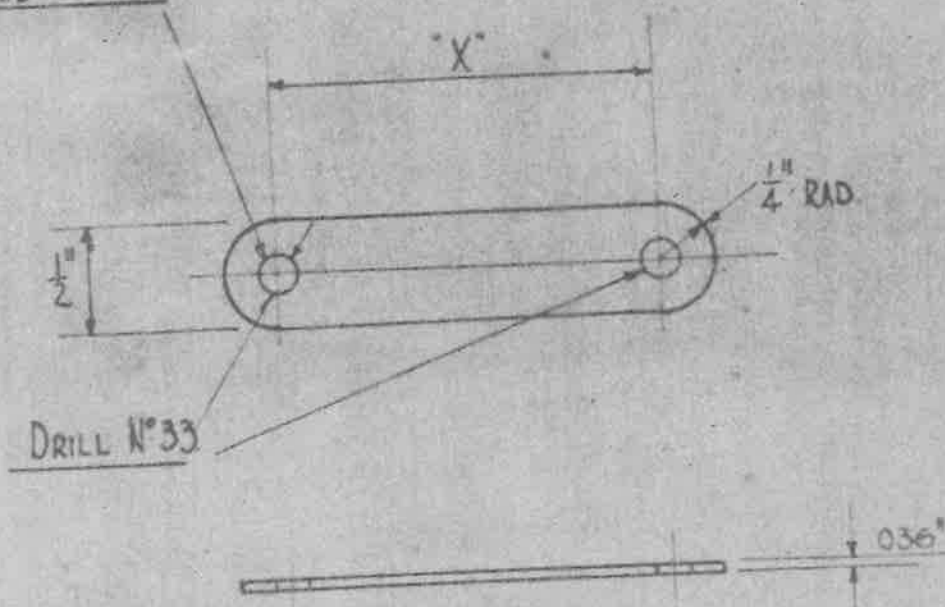


HOLES FOR R^o H^o WOOD SCREWS
 SIZE N^o 4.



N^o 20 SWG.

MARK	A.	B.	C.	D.	E.	F.	G.	H.	I.
"X"	1"	1 1/4"	1 1/2"	1 3/4"	2"	2 1/4"	2 1/2"	2 3/4"	3"

FINISH:- TO BE ANODISED TO SPEC. DTD 910 (LATEST ISSUE).

MATERIAL ALUMINIUM D.S. SPEC. L4 LATEST ISSUE

DRAWING OFFICE DIRECTORATE TECHNICAL DEVELOPMENT AIR MINISTRY	TITLE— ELECTRIC CABLE SADDLES						ATTACHED FOR RDG ^{A.P.C.} 2694 SEC.	DRAWN GLM. 2.12.25	TRD W.A.H. 9.12.25
	SHEET NO. 1/16	DES AGS/17	DES AGS/36	AGS 45	AGS 488	AGS 603	CHECKED H. 10.12.25	APPROVED G.E. BANKS	
	ALTERNATION								

OBSOLESCE - NOT TO BE USED
IN NEW DESIGN WORK. SEE S.D.M. 265

MINISTRY OF
SUPPLY

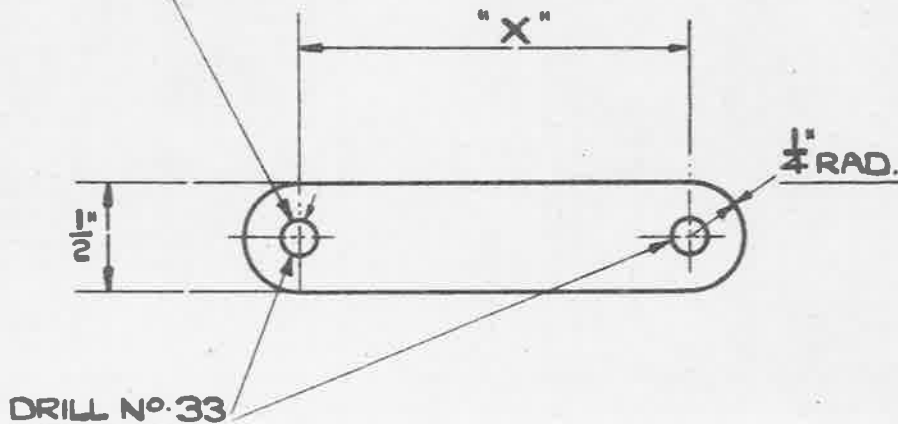
AGS.No.1542

SHEET No 1

No OF SHEETS 1

HOLES FOR RD. HD. WOOD SCREWS

SIZE N° 4.



N° 20 S.W.G.

MARK	A	B	C	D	E	F	G	I
"X"	1"	1 1/4"	1 1/2"	1 3/4"	2"	2 1/4"	2 1/2"	3"

MATERIAL :-ALUMINIUM. BS. SPEC: L.4.(LATEST ISSUE)

FINISH :- TO BE ANODISED TO SPEC: D.T.D. 910 (LATEST ISSUE)

ISSUED BY
ROYAL
AIRCRAFT

TITLE:-
ELECTRIC CABLE SADDLES.

DRAWN
G.L.M.7-12-25

RE-TRACED.
926.16-1-39

ISSUE N° 4

CHECKED
H.C.10-12-25

APPROVED
GEBARSTO-101225

52781