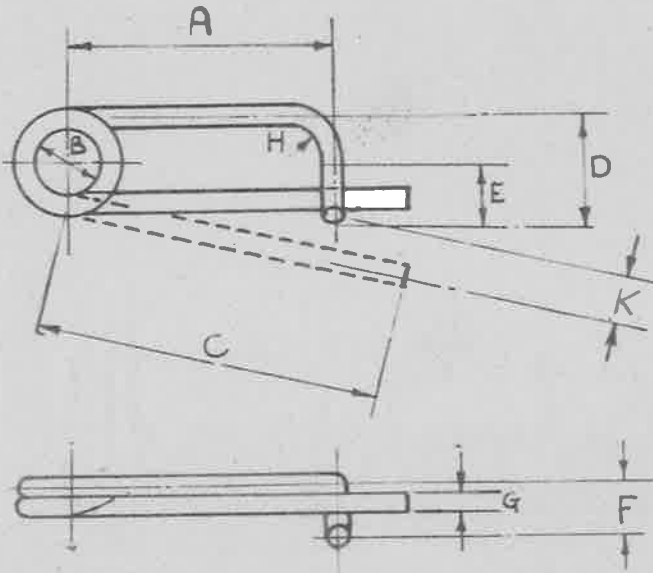


1 PER CENT OF THE PINS MADE FROM EACH COIL OF WIRE WILL BE TESTED BY LOCKING AND UNLOCKING THREE TIMES. AFTER THIS TEST THE DIMENSION "K" IS NOT TO BE LESS THAN STATED BELOW.



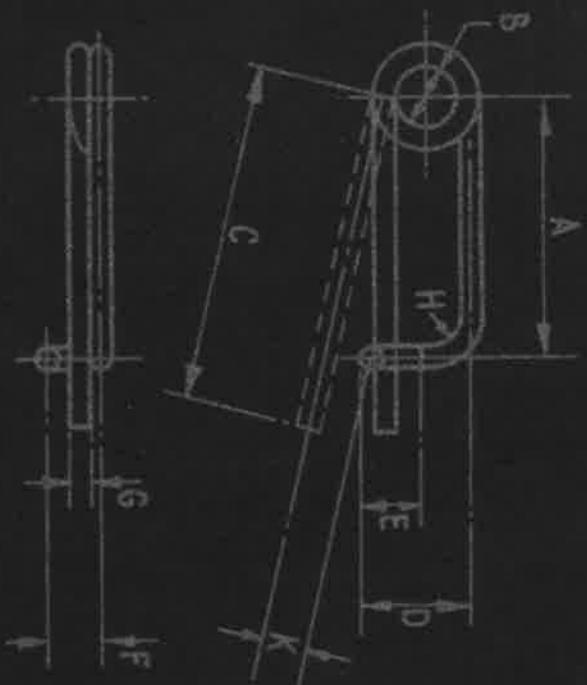
MARK	A	B	C	D	E	F	G	H	K	USED WITH NUT
1	.70"	.16"	.95"	.28"	.20"	.12"	18SWG	.03"		2BA 7/16" 1/4" 32
2	.85"	.24"	1.05"	.36"	.12"	.12"	18SWG	.12"	.13"	9/32" 5/16" 3/8"
3	1.15"	.30"	1.40"	.46"	.16"	.20"	16SWG	.15"	.19"	7/16" 1/2"
4	1.50"	.40"	1.80"	.63"	.23"	.25"	13SWG	.20"	.24"	9/16" 5/8" 11/16"
5	1.86"	.48"	2.25"	.77"	.26"	.30"	11SWG	.24"	.29"	3/4" 13/16" 7/8" 15/16"
6	2.05"	.64"	2.50"	.96"	.32"	.35"	10SWG	.32"	.36"	1

SPECIFICATION :- THE MATERIAL TO BE OF SPRING STEEL

FINISH :- TO BE CADMIUM PLATED TO SPEC^m

D.T.D 904. (LATEST ISSUE)

ISSUED BY ROYAL AIRCRAFT ESTABLISHMENT	LOCKING PINS				DRAWN G.H. ORNSTON	RETRACED D.A.P. G.A.P.
	ISSUE NO	4	5			
	ALTERATION NO	AS NO Aq5252	AS NO AK1463			



SEE R.S.700 FOR GENERAL INFORMATION.

MARK	A	B	C	D	E	F	G	H	K
1	.70"	.16"	.95"	.28"	.20"	.12"	18 SWG.	.03"	
2	.85"	.24"	1.05"	.36"	.12"	.12"	18 SWG.	.12"	.13"
3	1.15"	.30"	1.40"	.46"	.16"	.20"	16 SWG.	.15"	.19"
4	1.50"	.40"	1.80"	.63"	.23"	.25"	13 SWG.	.20"	.24"
5	1.86"	.48"	2.25"	.77"	.26"	.30"	11 SWG.	.24"	.29"
6	2.05"	.64"	2.50"	.96"	.32"	.35"	10 SWG.	.32"	.36"

1 PER CENT OF THE PINS MADE FROM EACH COIL OF WIRE WILL BE TESTED BY LOCKING AND UNLOCKING THREE TIMES. AFTER THIS TEST THE DIMENSION 'K' IS NOT TO BE LESS THAN STATED ABOVE.

SM2026
 ISSUE No. 6
 ALT. No. F121

DESIGNED	DRAWN	TRACED	CHECKED	APPROVED FOR	DATE
W.A.L.	W.A.L.	W.A.L.	W.A.L.	<i>[Signature]</i>	29.5.64

REF.	DRAWING OR PART No.	DESCRIPTION	AS DRAWN OR HAND UNIT	QTY.	MATERIAL - REMARKS
		SPRING STEEL			

USED ON	
---------	--

HT	PT	CADMIUM TO DT904	SCALE	LIMITS NOT SHOWN
----	----	------------------	-------	------------------

ISSUED BY THE SOCIETY OF BRITISH AEROSPACE COMPANIES LTD.,
 19, KING STREET, ST. JAMES'S, LONDON, S.W.1.

LOCKING PINS.

AGS.1551