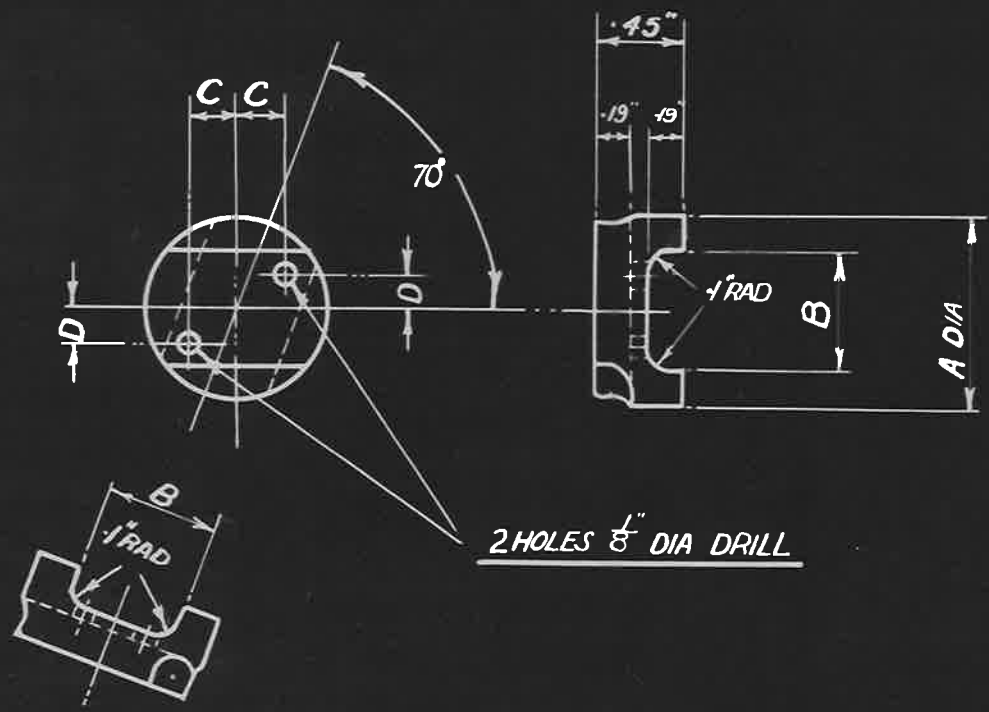


20-6-29
F.S. WIGLEY

AIR MINISTRY A.G.S. No. 1553

SHEET No. / No. of SHEETS /



| MARK | A | B | C | D |
|------|------|------|------|------|
| A | 1.0" | .6" | .25" | .19" |
| B | 1.5" | .85" | .44" | .31" |
| | | | | |

MATERIAL :-

FIBRE TOBS. SPEC. 216 [1936] [LATEST ISSUE] TREATED BY BOILING IN PARAFFIN WAX OR VARNISHING.

| | | | | | | | |
|--|--|------------|-----------------|-------------|--|---|-------------------------------|
| ISSUED BY DRAWING OFFICE DIRECTORATE OF TECHNICAL DEVELOPMENT AIR MINISTRY | TITLE— INSULATOR FOR CROSS BRACING. | | | | RETRACED FOR A.P.C. 16-1-39 CHND/N.A.W 13-11-41 | DRAWN G.A. HARGRAVE | TRACED |
| | ISSUE No. | 1 | 2 | 3 | 4 | CHECKED M.W. SHIPPEY 14-1-25 | APPROVED GW 20 6 29 |
| | ALTERATION | AGS/ 63 | D.C.S AGS/26 | AGS/ 325 | AS/VO AGS 1223 | RETROCED J.M.H.S 13 BB BASTABLE | |

188-27 23-9-36
A.A.M. J.M