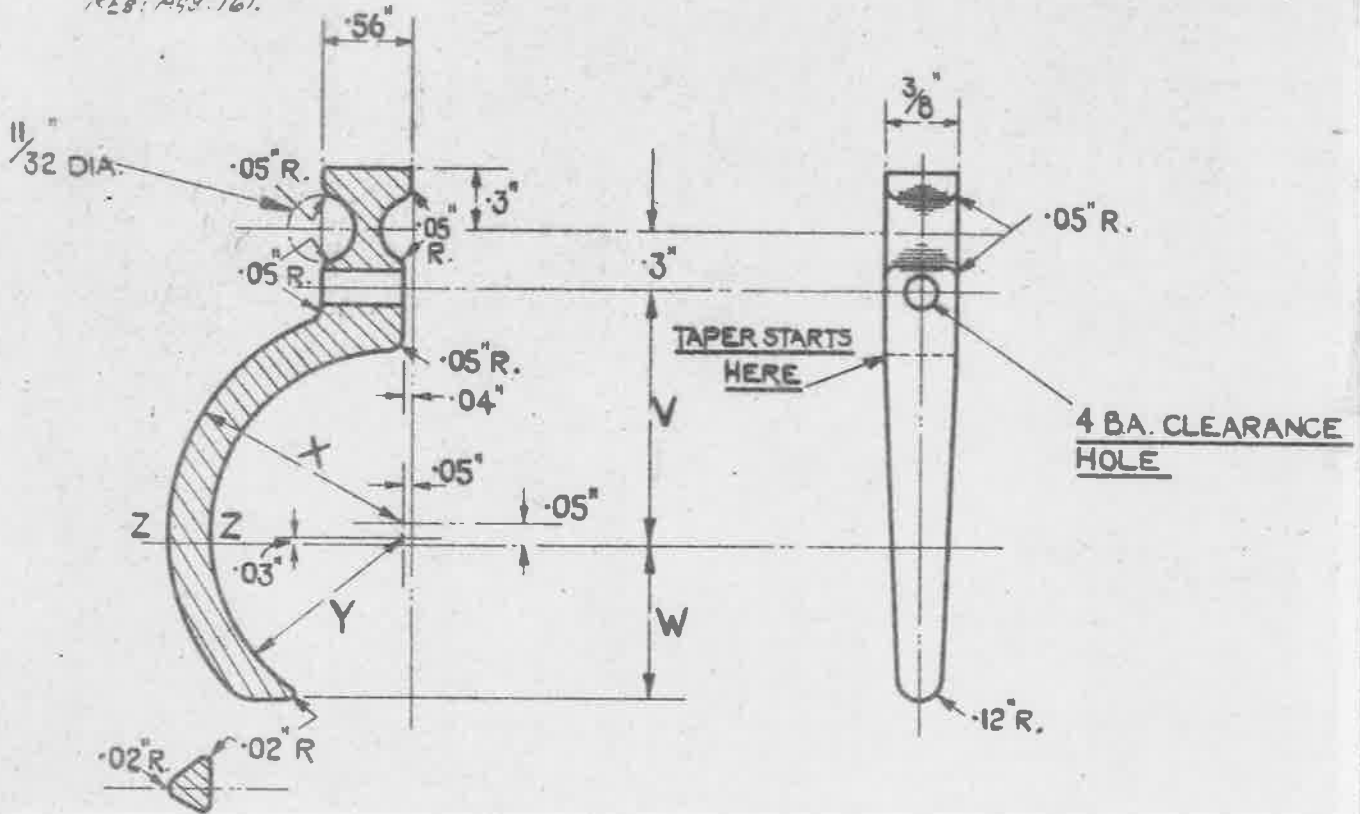


27.6.46
REG: AGS. 161.



SECTION Z.Z.

PART N ^o	DIA. OF TUBE	DIMENSIONS			
		V	W	X	Y ± .01"
* A	1"	.75"	.4"	.64"	.47"
Δ B	1 1/8"	.83"	.45"	.71"	.53"
* C	1 1/4"	.91"	.5"	.78"	.59"
Δ D	1 3/8"	.99"	.55"	.85"	.65"
* E	1 1/2"	1.07"	.6"	.92"	.71"
Δ I	2"	1.38"	.8"	1.2"	.96"

TOLERANCE ON ALL
DIMENSIONS ± .005"
EXCEPT WHERE
OTHERWISE STATED.

* **OBSOLESCE**NT - AVAILABLE AS REPLACEMENTS
FOR EXISTING DESIGNS ONLY.

Δ **OBSOLESCE**NT - NO FURTHER MANUFACTURE.
EXISTING STOCKS TO BE USED UP.

DIE CASTING.

MAT^l: ALUM ALLOY TO B.S. SPEC. L.33. (LATEST ISSUE.)

FINISH:- NATURAL.

CLASS 3 CASTING, SEE DRG. N^o A.D. 15528-3. (LATEST ISSUE.)

25-7-46 SM 625

ISSUE NO.	10	11									
ALTN. NO.	MOD. N ^o AGS/615	MOD/AGS 931									
MINISTRY OF SUPPLY APPLICATIONS FOR A.G.S. SHEETS TO A. T. P. 4, CHESSINGTON, SURREY. GENERAL ENQUIRIES TO A.D./S. A. E., ST GILES COURT, 1-13 ST GILES HIGH STREET, LONDON, W.C.2.	TITLE:- CABLE BONDING CLAMPS..					RE-DRAWN C.T. Reynolds.	RE-TRACED M.S. Jones. 23.3.46	CHECKED M.M. O'NEILL	APPROVED M.M. O'NEILL 19/4/46		