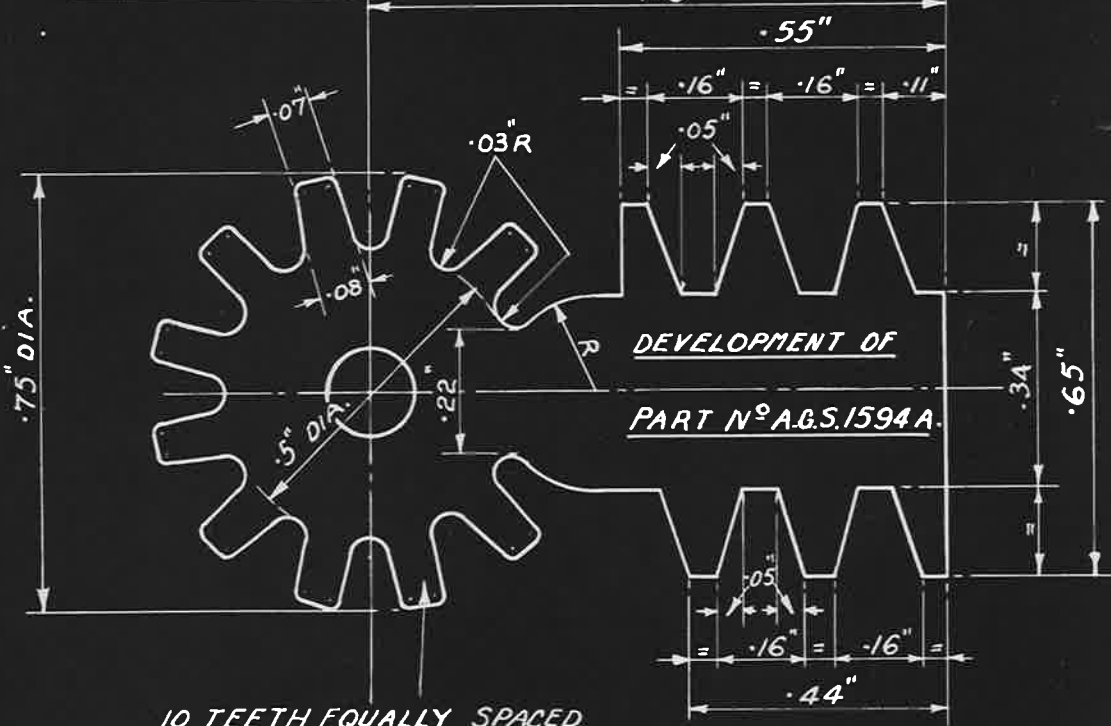
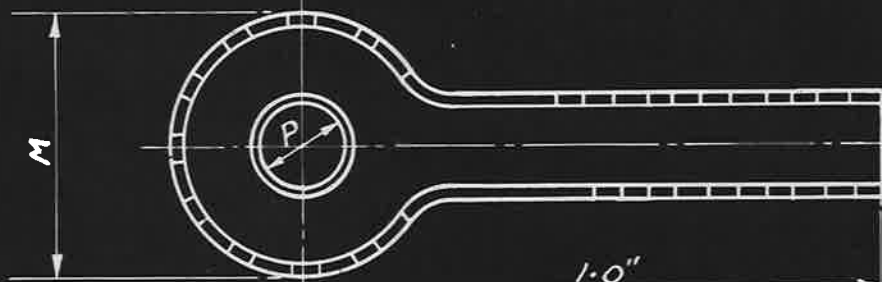
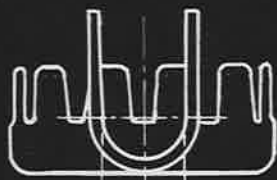


SCALE:- 3/1.

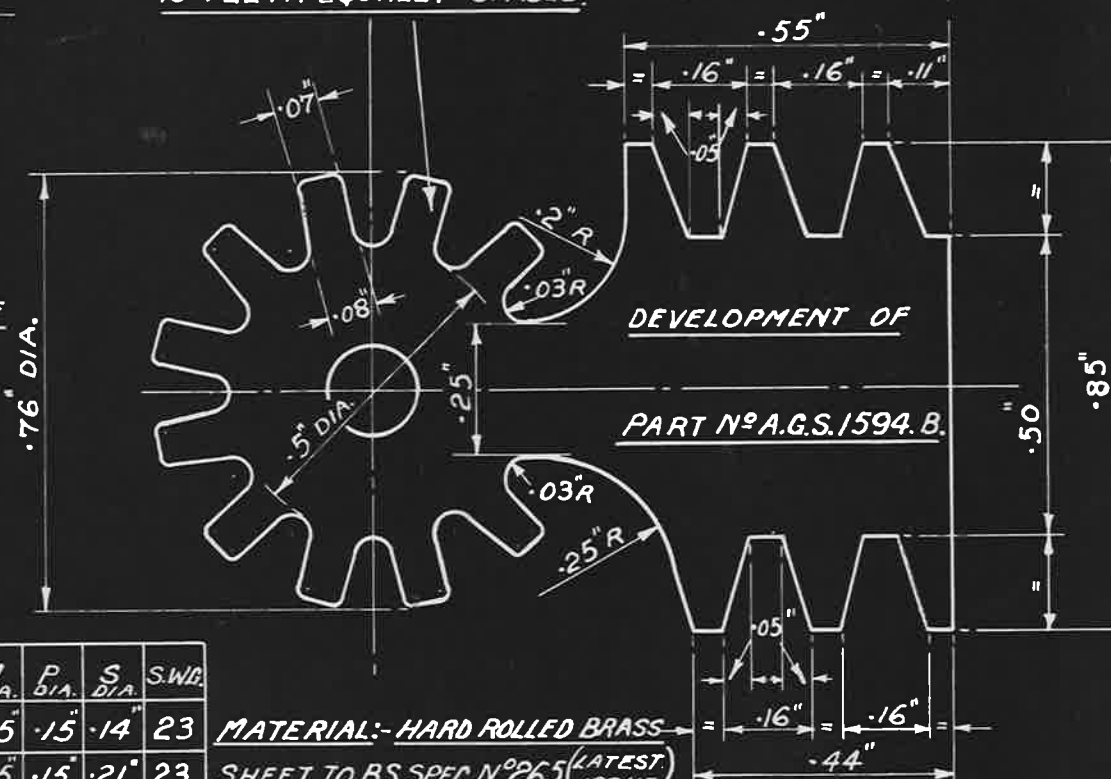
UNLIMITED DIMENSIONS $\pm .02''$

AIR MINISTRY A.G.S. No. 1594.

SHEET No. 1 No. OF SHEETS. 1



LOOSE WASHER
22 S.W.G.
1. OFF PER CABLE
END.



10 TEETH EQUALLY SPACED.

PART N ^o	CABLE	M DIA.	P DIA.	S DIA.	S.W.G.
1594.A	UNIFLEX 4	.45	.15	.14	23
1594.B	UNISHEATH 4	.45	.15	.21	23

MATERIAL:- HARD ROLLED BRASS
SHEET TO BS SPEC. N^o 265 (LATEST ISSUE)

ISSUED BY DRAWING OFFICE
DIRECTORATE OF
TECHNICAL DEVELOPMENT
AIR MINISTRY

TITLE:-
ENDS, CABLE, CLAW TYPE. 4 B.A.
ISSUE N^o 3

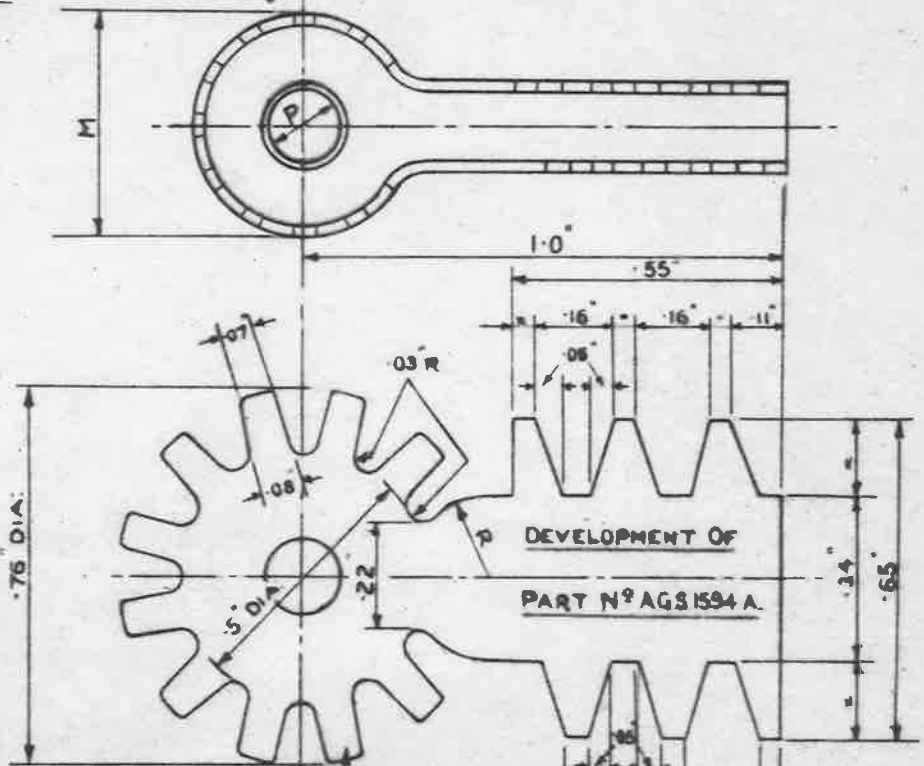
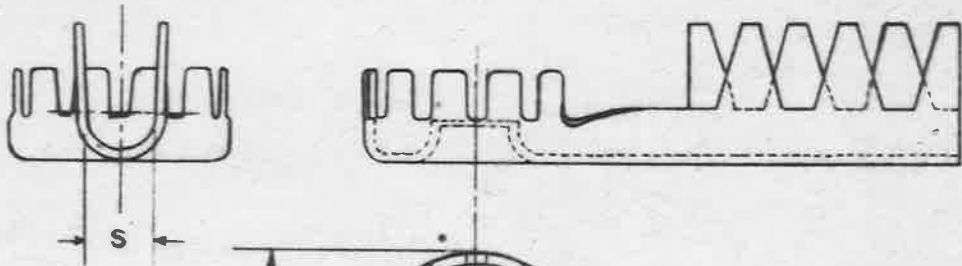
RETRACED
M. A. W.
9-4-41.
TRACING
CHECKED.

SCALE - 3/1

UNLIMITED DIMENSIONS +.02
-0

AIR MINISTRY AGS. No. 1594

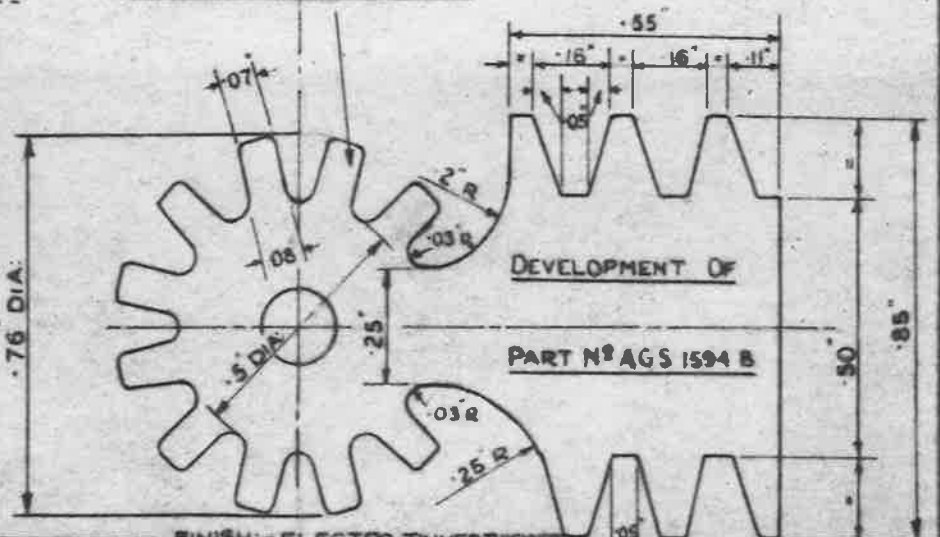
SHEET No 1 No of SHEETS 1



10 TEETH EQUALLY SPACED



LOOSE WASHER
22 SWG
1 OFF PER CABLE
END.



PART NO	CABLE	M DIA	P DIA	S DIA	SWG
1594 A	UNIFLEX 4	.45	.15	.14	23
1594 B	UNISHEATH	.45	.15	.21	23

FINISH:- ELECTRO-TINNED THICKNESS NOT LESS THAN 0.0002 OR NICKEL PLATED THICKNESS NOT LESS THAN 0.0003
MATERIAL - HARD ROLLED BRASS
SHEET TO BS SPECN° 265 (LATEST ISSUE)

ISSUED BY DRAWING OFFICE DIRECTORATE OF TECHNICAL DEVELOPMENT AIR MINISTRY.	TITLE:- ENDS, CABLE CLAW TYPE. 4 B A			DRAWN	TRACED
	ISSUE NO	3	4 HS	CHECKED	APPROVED
	ALTERATION NO		AGS 37		

20718

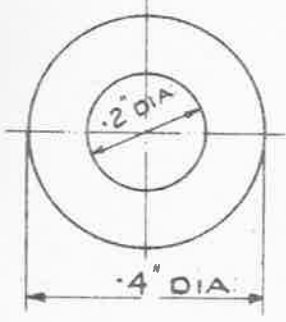
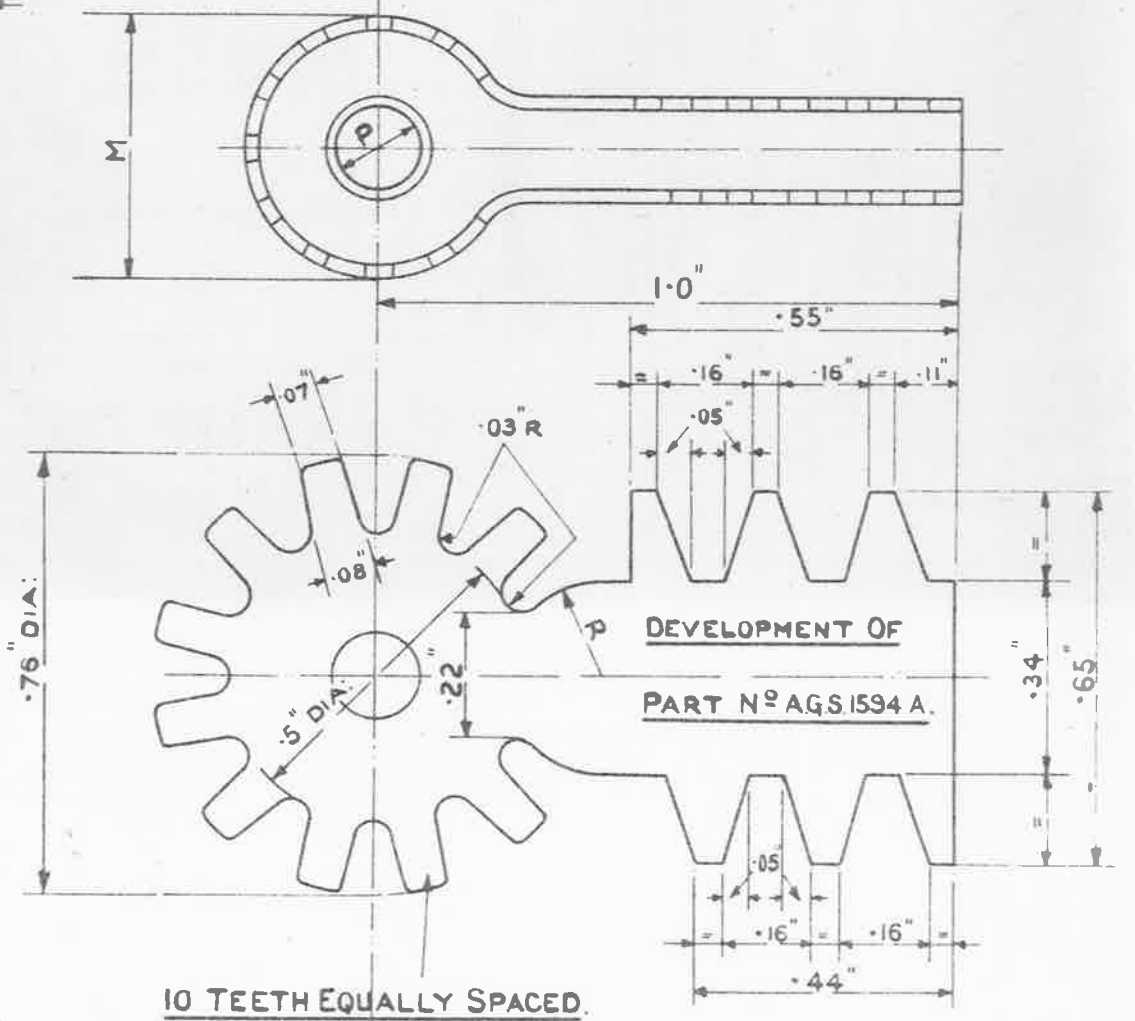
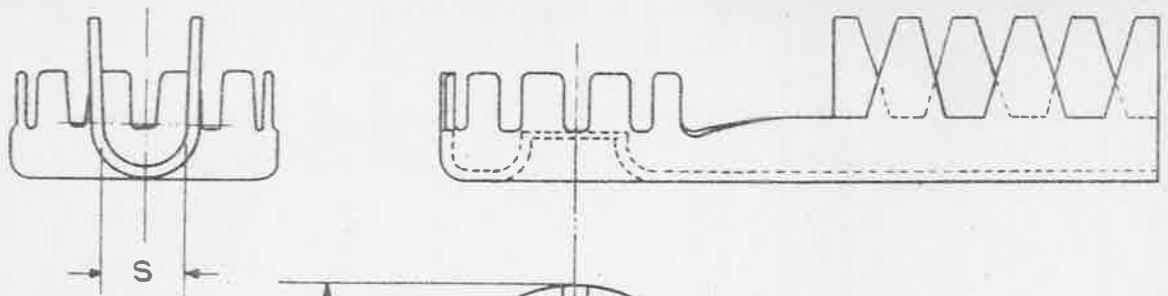
SCALE:- 3/1

UNLIMITED DIMENSIONS +.02"
- 0

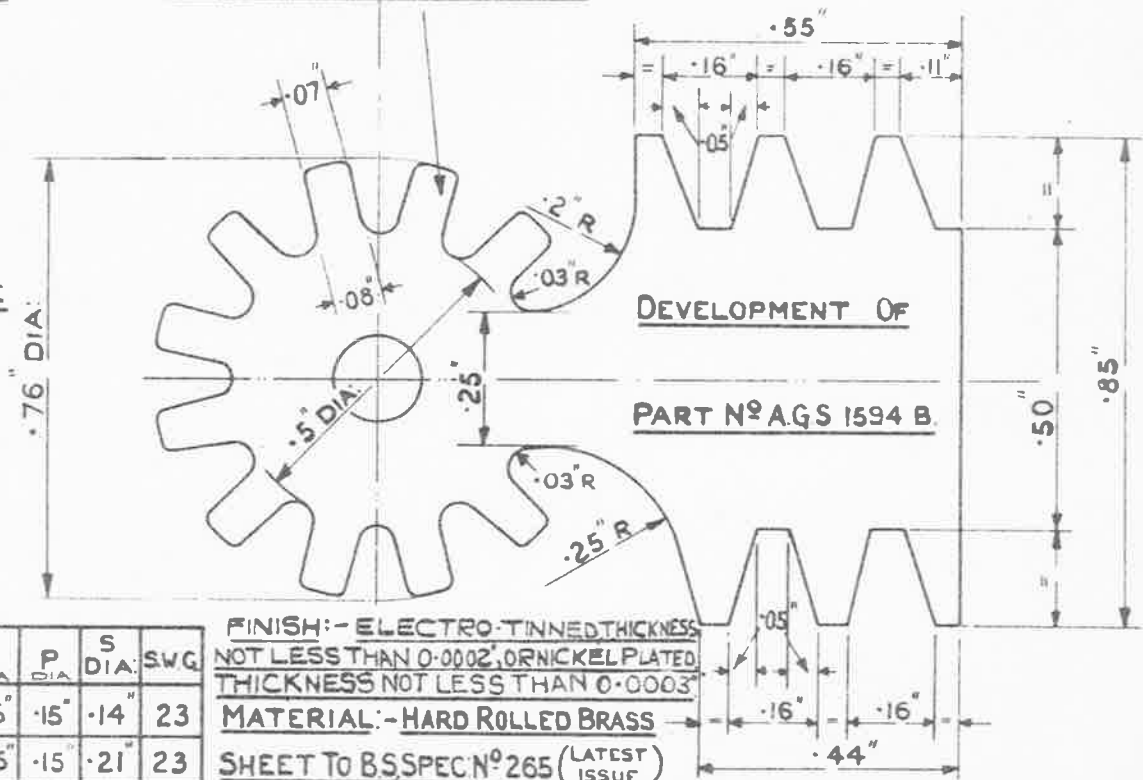
AIR MINISTRY A.G.S. No 1594

SHEET No 1 No of SHEETS. 1

OBSOLESCE - NOT TO BE USED
IN NEW DESIGN WORK. SEE S.D.M. 256.



LOOSE WASHER
22 S.W.G
1.0 OFF PER CABLE
END.



PART N ^o	CABLE	M DIA	P DIA	S DIA	SWG
1594 A.	UNIFLEX 4	.45"	.15"	.14"	23
1594 B.	UNISHEATH 4	.45"	.15"	.21"	23

FINISH:- ELECTRO-TINNED THICKNESS
NOT LESS THAN 0.0002", OR NICKEL PLATED
THICKNESS NOT LESS THAN 0.0003"
MATERIAL:- HARD ROLLED BRASS
SHEET TO B.S. SPEC N^o 265 (LATEST ISSUE)

ISSUED BY DRAWING OFFICE
DIRECTORATE OF
TECHNICAL DEVELOPMENT
AIR MINISTRY

TITLE:-
ENDS, CABLE, CLAW TYPE 4 B.A.
ISSUE N^o 8
ALTERATION N^o 4 HS 5
Mod No AS No MCD/AGS
A 63/400 AGC/172 973

DRAWN
C.T. Reynolds
CHECKED
APPROVED
14/1/40
12/1/40