

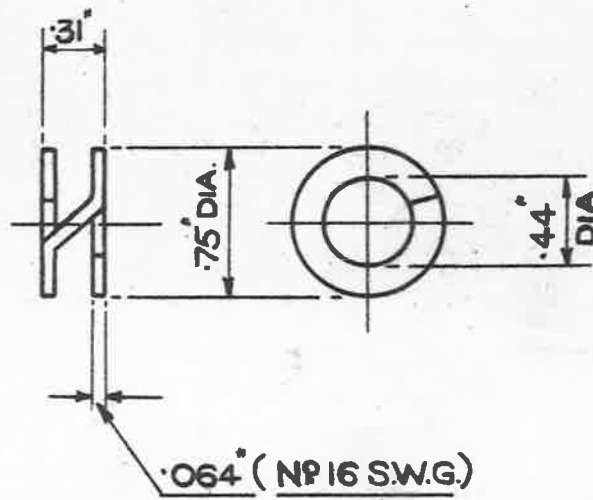
**OBSOLESCE**-SUPERSEDED BY B.S. SPEC S.P. 55 AND 56 FOR NEW DESIGN WORK. STOCKS TO BE MAINTAINED TO MEET REQUIREMENTS FOR EXISTING DESIGNS.

MINISTRY OF SUPPLY

AGS No 1607

SHEET No. 1

No. of SHEETS 1



MATERIAL TO BE OF GOOD QUALITY { PHOSPHOR BRONZE.  
OR SPRING STEEL.

FINISH (PHOSPHOR BRONZE) :- TO BE CADMIUM PLATED TO SPEC: D.T.D. 904 (LATEST ISSUE), ALTERNATIVELY, ELECTRO-TINNED, THICKNESS NOT LESS THAN .0002".

FINISH (STEEL) :- TO BE CADMIUM PLATED TO SPEC: D.T.D. 904 (LATEST ISSUE).

FOR B.A. SIZES SEE AGS. 1583.

ISSUED BY  
ROYAL  
AIRCRAFT  
ESTABLISHMENT

TITLE  
**DOUBLE SPRING WASHER.**

DRAWN  
W.W.W.

RETRACED  
L.E. READ  
13.1.39

ISSUE No	1	2	3	4
A. S. No	740	232	663	978
A.S. No	AS/AGS	AGS	AGS	AGS
MOB/AGS				
SM 783				

RECHECKED  
R.B. BASTABLE

APPROVED  
G.E. BAIRSTO  
7.3.31