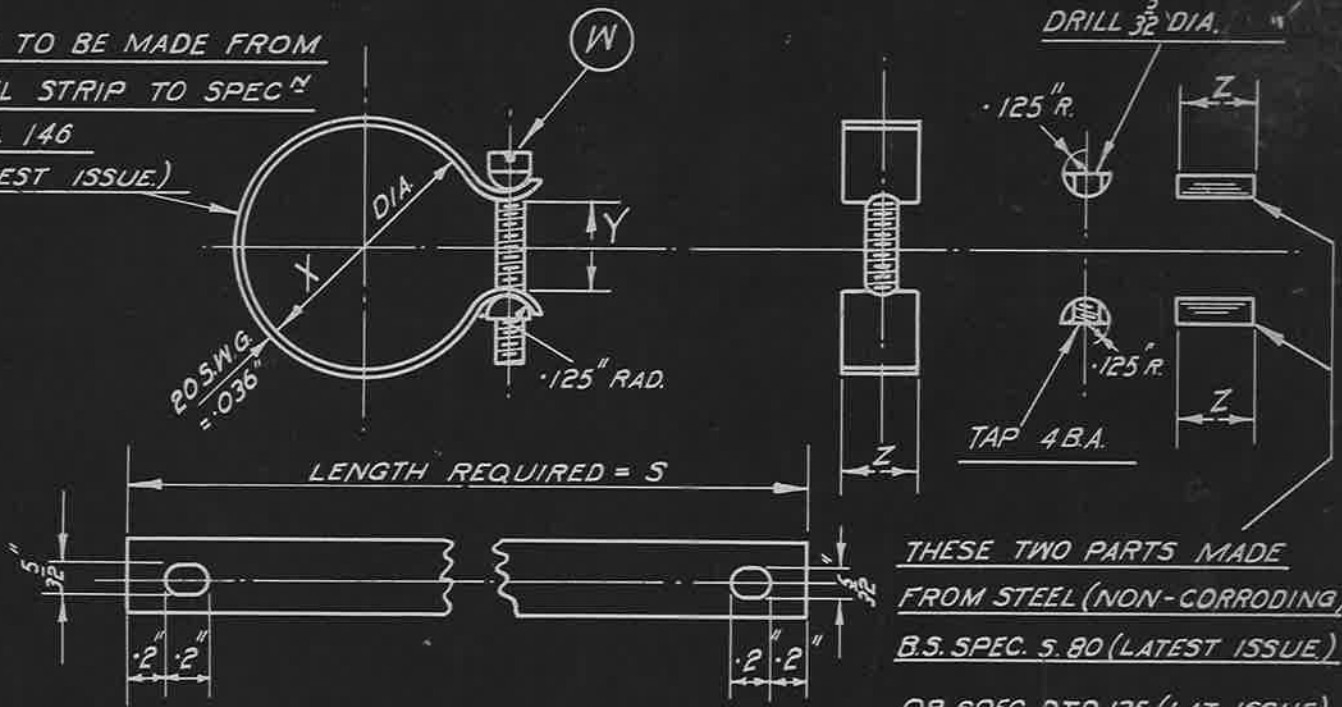


FOR USE ONLY WITH NON-CORRODING
STEEL TUBES

AIR MINISTRY. A.G.S. N° 1613

SHEET N° 1 | N° OF SHEETS. 1

CLIP TO BE MADE FROM
STEEL STRIP TO SPEC^N
D.T.D. 146
(LATEST ISSUE)



MARK	X	Y (APPROX)	Z	W	S
A	.50"	.2"	.31"	A.G.S. 896-24	2.20"
B	.63"	.2"	.31"	"	2.56"
C	.75"	.2"	.31"	"	2.84"
D	.88"	.2"	.31"	"	3.24"
E	1.0"	.2"	.31"	"	3.60"
F	1.13"	.3"	.38"	A.G.S. 896-23	4.10"
G	1.25"	.45"	.38"	A.G.S. 896-26	4.30"
H	1.50"	.45"	.38"	"	5.05"
J	1.75"	.45"	.38"	"	5.90"
K	2.0"	.45"	.38"	"	6.76"
L	2.25"	.45"	.38"	"	7.40"
M	2.50"	.45"	.38"	"	8.20"
N	2.75"	.45"	.38"	"	9.0"
P					
Q					
R					

SCREW THREADS - BRITISH ASSOCIATION (B.A.) TO B.S. SPEC^N N° 93.

ISSUED BY DRAWING OFFICE
DIRECTORATE
OF TECHNICAL
DEVELOPMENT.
AIR MINISTRY.

TITLE: **WATER PIPE BONDING CLIPS.
(NON-CORRODING.)**

ISSUE N° X.J.M. 2
ALT^N N° A.G.S. / 292 4.5 / 128

DRAWN
J.H. BRASHER.

CHECKED
J. MILLS. 20/9/33
RE-CH. P.B. BASTABLE

RE-TRACED
D.B.
25-1-39

APPROVED
G.W. 20/9/33.

21-9-34
279210/33.