

NOTE :-
BEFORE ASSEMBLY REMOVE
METAL BRAIDING AND ALSO
CAMBRIC FOR A DISTANCE
OF 28MM AND BARE
CABLE FOR A DISTANCE
OF 10.5 MM.

BASED ON THE BRITISH THOMSON HOUSTON C^o LTD. DRG. N° CX 55940

ONE COMPLETE ASSEMBLY CONSISTS OF THE FOLLOWING PARTS.

PART N°	DRAWING N°	DESCRIPTION	N° OFF	REMARKS.
1	A.G.S. 1624-1	CABLE SLEEVE	/	
2	A.G.S. 1624-2	PLUNGER	/	
3	A.G.S. 1624-3	SPRING	/	
4	A.G.S. 1624-4	NIPPLE OUTER.	/	
5	A.G.S. 1624-5	NIPPLE INNER.	/	

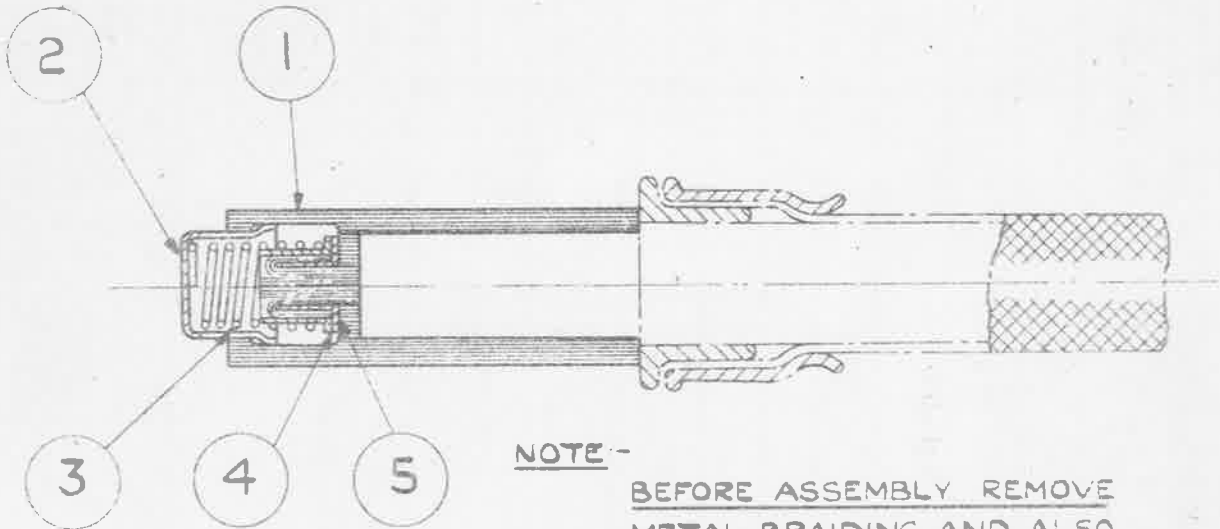
ISSUED BY DRAWING OFFICE DIRECTORATE OF TECHNICAL DEVELOPMENT AIR MINISTRY	TITLE: TERMINAL (SPRING-LOADED TYPE) FOR MAGNETO 7 ^M H.T. CABLES				DRAWN M.W. SHIPPEY	RE-TRACED DB
	ISSUE N°	X.J.M. 7/36	R.J.M. 9/38	2A	CHECKED C. HOLDCROFT	APPROVED G.E. BAIRSTO
	ALT N°	A.G.S. 1316	A.S. A.G.S. 1/22		RE-CHECKED R.B. BA5TABLE	26-9-36.

22-7-36
518275/36

OBSOLESCE - SUPERSEDED BY
DRAWING NO. EL.40601. NO FURTHER STOCKS
TO BE MANUFACTURED.

AIR MINISTRY A.G.S. No 1624

SHEET No. 1 No. OF SHEETS 3



NOTE -

BEFORE ASSEMBLY REMOVE
METAL BRAIDING AND ALSO
CAMBRIC FOR A DISTANCE
OF 28 MM. AND BARE
CABLE FOR A DISTANCE
OF 10.5 M.M.

BASED ON THE BRITISH THOMSON HOUSTON CO. LTD DRG N^o CX 55940

ONE COMPLETE ASSEMBLY CONSISTS OF THE FOLLOWING PARTS.

PART N ^o	DRAWING N ^o	DESCRIPTION.	N ^o OFF	REMARKS.
1	A.G.S. 1624-1	CABLE SLEEVE.	1	
2	A.G.S. 1624-2	PLUNGER.	1	
3	A.G.S. 1624-3	SPRING.	1	
4	A.G.S. 1624-4	NIPPLE OUTER.	1	
5	A.G.S. 1624-5	NIPPLE INNER.	1	

ISSUED BY DRAWING OFFICE
DIRECTORATE
OF TECHNICAL
DEVELOPMENT
AIR MINISTRY

TITLE - TERMINAL (SPRING LOADED
TYPE) FOR MAGNETO 7^m/M HT CABLES.

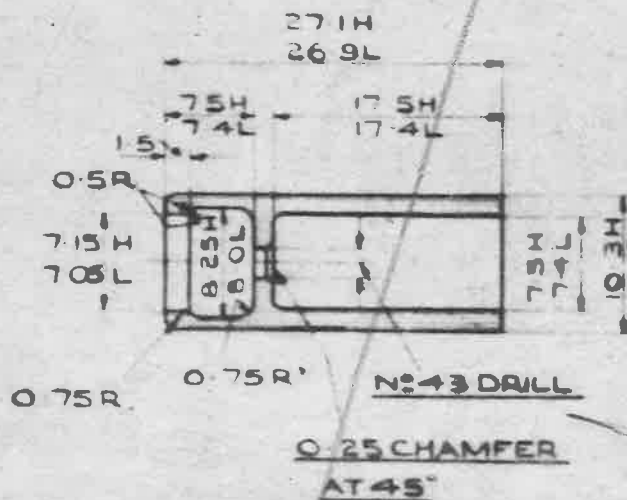
ISSUE N ^o	27 2/36	JM	28 3/36	JM	3 s.n. 764
ALTS N ^o	A.G.S. 316		A.S. A.G.S. 122		MOD/ACS 956

DRAWN M.W. SHIPPEY.	RE-TRACED DB 27-1-39
CHECKED C. HOLDCROFT RE-CH. R. B. BASTABLE	APPROVED G.E. BAIRSTO. 26-9-36

DIMENSIONS ARE IN MILLIMETRES
UNLESS OTHERWISE STATED

AIR MINISTRY A.G.S. NO 1624

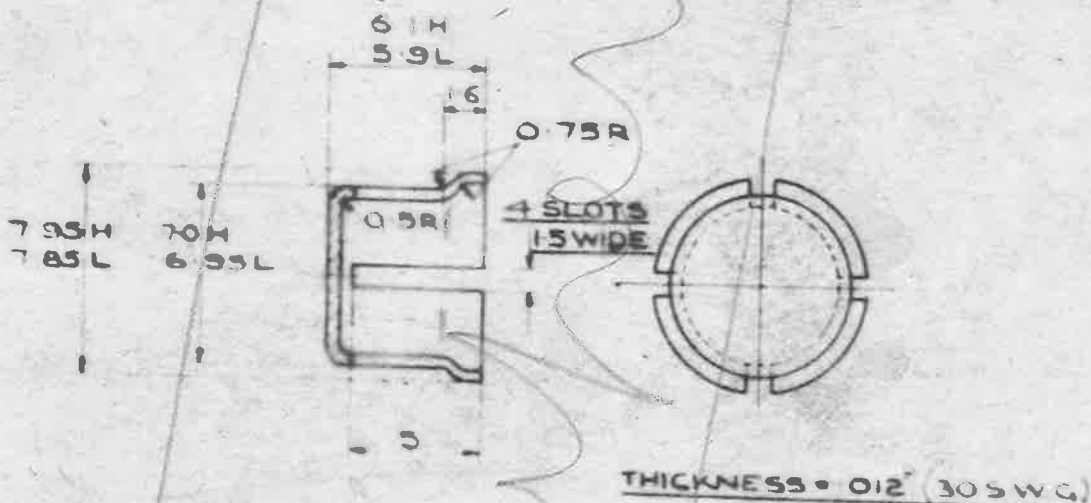
SHEET No 2 NO OF SHEETS 3



MATERIAL - TO BE OF LOADED HARD RUBBER & IN ACCORDANCE WITH SPECIFICATION AS OUTLINED ON DRAWING N: E & I 4016 (LATEST ISSUE) OR BAKELITE X20HD

① CABLE SLEEVE

DIMENSIONS ARE IN MILLIMETRES
UNLESS OTHERWISE STATED



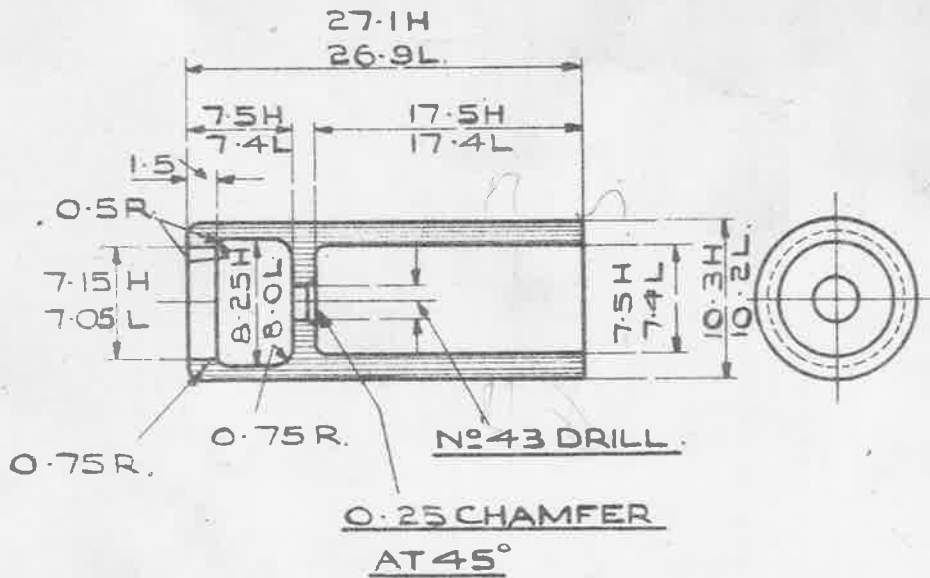
MATERIAL PHOS BRONZE
B.S. SPEC (LATEST ISSUE) 407 - GRADE A ALLOY - HF HD TEMPER
FINISH ELECTRO-TINNED THICKNESS NOT LESS THAN .0002

② PLUNGER

ISSUED BY DR. ...	TITLE: - TERMINAL FOR MAGNETO HT CABLES (SPRING LOADED TYPE) DETAILS	DRAWN	REVIEWED
CHECKED BY ...	ISSUE NO. X-213	CHECKED	APPROVED
AIR MINISTRY	OPERATION NO.		

(E) Y P P 1

DIMENSIONS ARE IN MILLIMETRES
UNLESS OTHERWISE STATED.



90 81/718

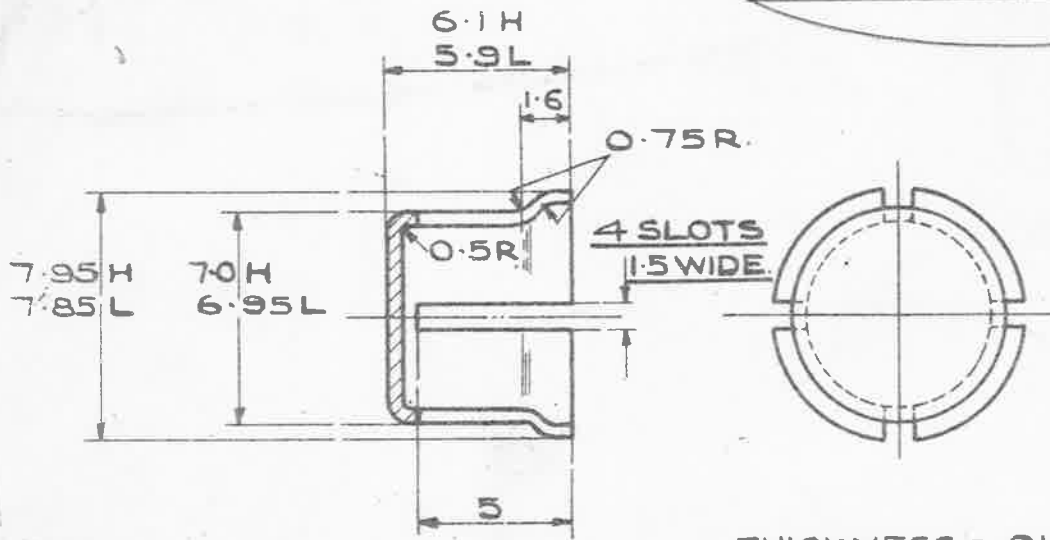
MATERIAL: - TO BE OF LOADED HARD RUBBER & IN ACCORDANCE
WITH SPECIFICATION AS OUTLINED ON DRAWING N° E & I. 4016 (LATEST ISSUE)
OR BAKELITE X20 HD.

① CABLE SLEEVE.

OBSOLESCENT -

SUPERSEDED BY DRAWING No. EL.40601 NO FURTHER STOCKS TO BE MANUFACTURED

DIMENSIONS ARE IN MILLIMETRES
UNLESS OTHERWISE STATED.



MATERIAL: - PHOS:BRONZE.

B.S. SPEC: (LATEST ISSUE) 407. - GRADE 'A' ALLOY - H.F. HD. TEMPER.

FINISH: - ELECTRO-TINNED, THICKNESS NOT LESS THAN .0002"

② PLUNGER.

ISSUED BY DRAWING OFFICE
DIRECTORATE OF
TECHNICAL DEVELOPMENT

TITLE: - TERMINAL FOR MAGNETO H.T.
CABLES (SPRING LOADED TYPE) DETAILS.
ISSUE No. 1, 2, 3, 4

DRAWN
M.W. SHIPPEY

RE-TRACED
J.M. STALLARD

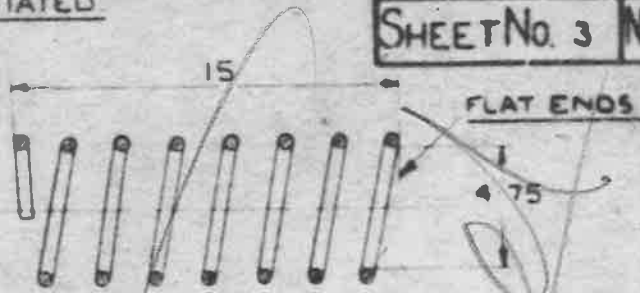
CHECKED
C.HOLDCROFT

APPROVED
G.B. BAIRSTO.

DIMENSIONS ARE IN MILLIMETRES
UNLESS OTHERWISE STATED

AIR MINISTRY AGS No 1624

SHEET No. 3 No of SHEETS 3



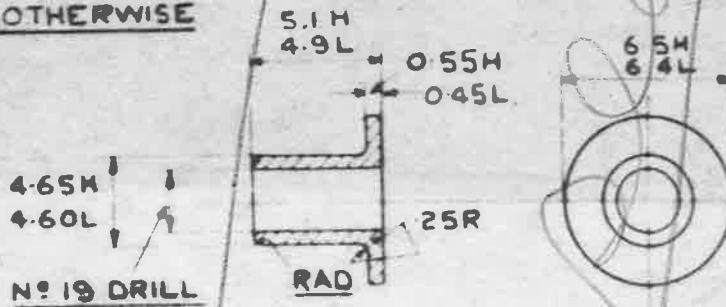
7 FULL TURNS
26 SWG WIRE

MATERIAL: PHOS. BRONZE
BEST COMMERCIAL SPRING QUALITY

3 SPRING

FINISH: DULL NICKELLED

DIMENSIONS ARE IN MILLIMETRES
UNLESS OTHERWISE STATED

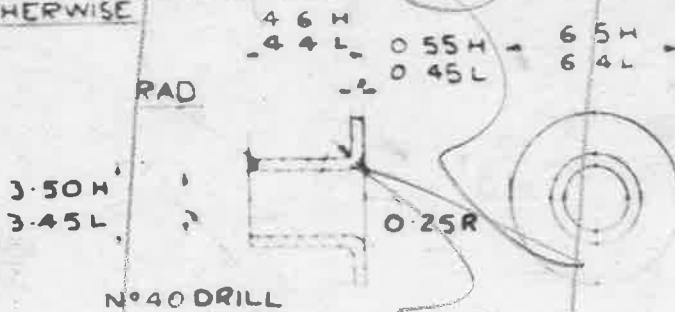


MATERIAL - BRASS
BEST COMMERCIAL QUALITY MATERIAL TO BE USED

4 NIPPLE (OUTER)

FINISH - ELECTRO TINNED
THICKNESS NOT LESS THAN .0002"

DIMENSIONS ARE IN MILLIMETRES
UNLESS OTHERWISE STATED



MATERIAL: - BRASS
BEST COMMERCIAL QUALITY MATERIAL
TO BE USED

FINISH - ELECTRO TINNED
THICKNESS NOT LESS THAN .0002"

5 NIPPLE (INNER)

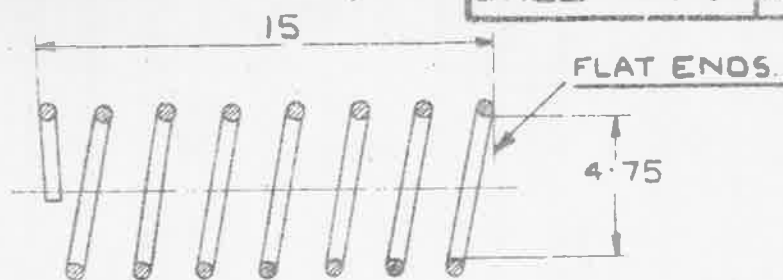
ISSUED BY	TITLE	DATE	REVISION
DIRECTORATE OF TELECOMMUNICATIONS AND INSTRUMENTS	TERMINAL FORM MAGNETO HT CABLES (SPRING LOADED TYPE) DETAILS	2/3	

1011

DIMENSIONS ARE IN MILLIMETRES
UNLESS OTHERWISE STATED.

AIR MINISTRY A.G.S. No 1624

SHEET No. 3 No. OF SHEETS 3



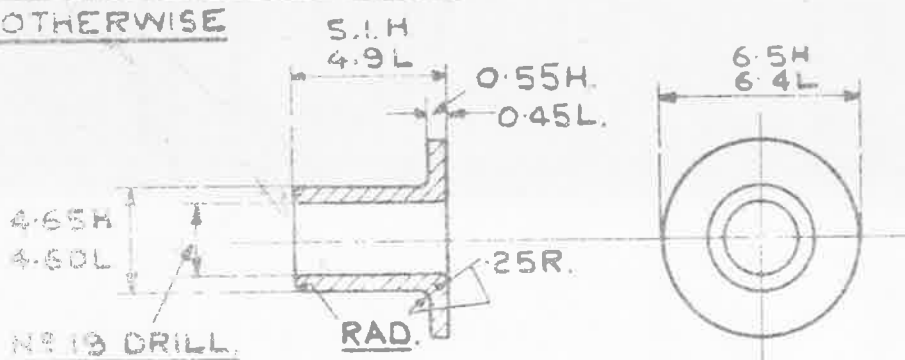
7 FULL TURNS.
26 S.W.G. WIRE.

MATERIAL - PHOS. BRONZE.
BEST COMMERCIAL SPRING QUALITY

3 SPRING

FINISH:- DULL NICKELLED

DIMENSIONS ARE IN MILLIMETRES
UNLESS OTHERWISE
STATED.

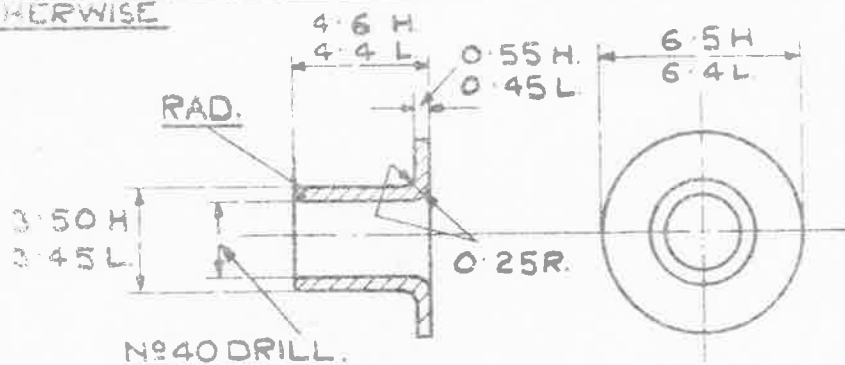


MATERIAL - BRASS.
BEST COMMERCIAL QUALITY MATERIAL TO BE USED.

4 NIPPLE (OUTER)

FINISH:- ELECTRO TINNED,
THICKNESS NOT LESS THAN .0002

DIMENSIONS ARE IN MILLIMETRES
UNLESS OTHERWISE
STATED.



MATERIAL - BRASS.
BEST COMMERCIAL QUALITY MATERIAL
TO BE USED.

FINISH:- ELECTRO TINNED,
THICKNESS NOT LESS THAN .0002

5 NIPPLE (INNER)

OBSOLESCE - SUPERSEDED BY
DRAWING NO. EL 40001 NO FURTHER STOCKS
TO BE MANUFACTURED.

ISSUED BY DRAWING OFFICE
DIRECTORATE OF
TECHNICAL DEVELOPMENT
AIR MINISTRY

TITLE :- TERMINAL FOR MAGNETO H.T. CABLES (SPRING LOADED TYPE) DETAILS			
ISSUE No	1	2 H _s	5/2/29
ALTERATION No	A.G.S.	AS NO	MOD/AGS
	577	100007	956

DRAWN M.WSHIPPEY	RE-TRACED Y.MAYER 13-1-33
CHECKED C.HOLOCROFT 8-4-36. RE. CHAS. GASTABLE	APPROVED G.E. BAIRSTO. 14-4-36