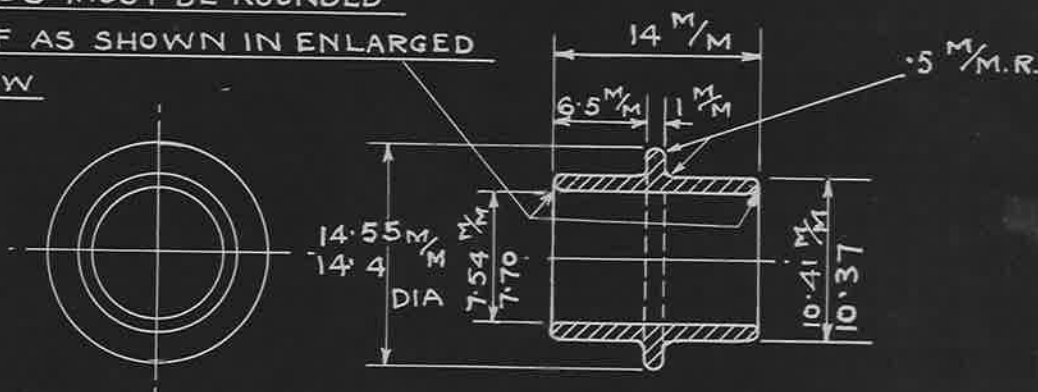




FULL SIZE VIEW OF SLEEVE



NOTE :- THIS IS IMPORTANT
ENDS MUST BE ROUNDED
OFF AS SHOWN IN ENLARGED
VIEW



SCALE 2/1.

MATERIAL :- BRASS TUBE, BEST COMMERCIAL QUALITY

FINISH :- ELECTRO-TINNED OR DULL NICKELLED

IMPORTANT :- ALL SHARP EDGES TO BE WELL ROUNDED OFF

ISSUED BY DRAWING OFFICE DIRECTORATE OF TECHNICAL DEVELOPMENT AIR MINISTRY	TITLE — SLEEVE (INNER) MEDIUM-FOR 8.5 M/M DIA (BRISTOL) METAL BRANDED CABLE				RETRACED FOR A.P.C. W.H.R. 24.9.41.	DRAWN FROM A.G.S. From A.G.S. 193 F. MILLER	TRACED J.M. STALLARD 13.1.39
	ISSUE No.	1	2	3		CHECKED G.W.D.	APPROVED A.P.M. 14.3.39
	ALTERATION	A.G.S.	A.S. No A.G.S/770	Mod. No A.G.S.		RE: ON: K.B. BASTABLE	9.9.37