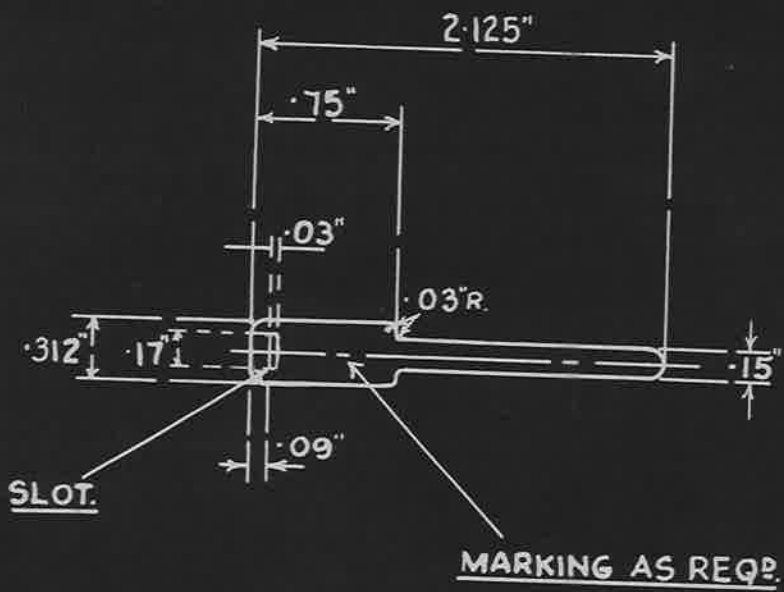


11.5.40.
B92027/40



MATERIAL:- 32 S.W.G (.0108") BRASS.

FINISH:- DULL ELECTRO-TINNED.

ISSUED BY DRAWING OFFICE DIRECTORATE OF TECHNICAL DEVELOPMENT AIR MINISTRY	TITLE:- IDENTIFICATION LABEL.				RETRACED FOR A.P.C. J. B.	DRAWN	TRACED YM 15-3-40.
	ISSUE No.	1				CHECKED	APPROVED
	ALTERATION	MOD N ^o 165/396 26.5.40.				<i>mes</i>	<i>get</i> 27.3.40