

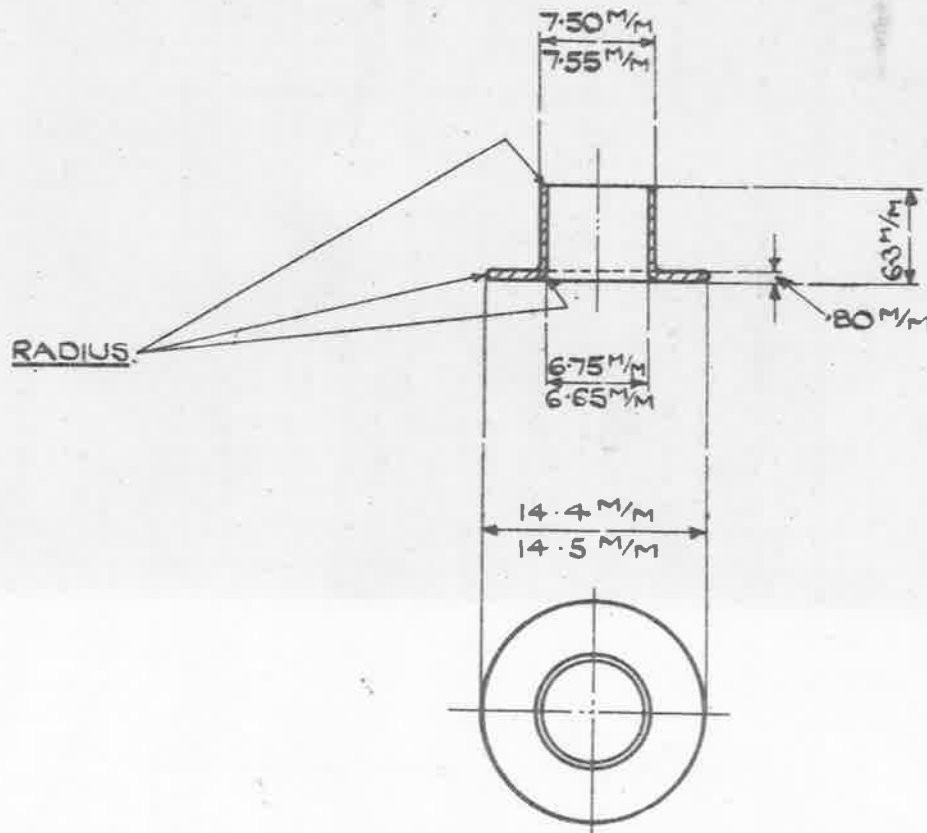
OBSOLESCE - NOT TO BE USED
IN NEW DESIGN WORK. SEE S.D.M. 267

MINISTRY OF
SUPPLY.

AGS. No 1639

SHEET No 1

No OF SHEETS 1



ALL SHARP EDGES TO BE ROUNDED OFF.

MATERIAL:- BRASS.

FINISH:- ELECTRO-TINNED, THICKNESS NOT LESS THAN .0002"

SCALE: $\frac{2}{1}$

ISSUED BY
ROYAL
AIRCRAFT
ESTABLISHMENT

TITLE:- SLEEVES, BONDING, METAL BRAIDED
CABLE, LT. INNER, TYPE C.

DRAWN
R B BASTABLE
FROM E&I7057-6

TRACED
H W
5-4-40

ISSUE No 6
MOD/AGS
ALTERS No 974

CHECKED
Wes

APPROVED.
W 8.5.40

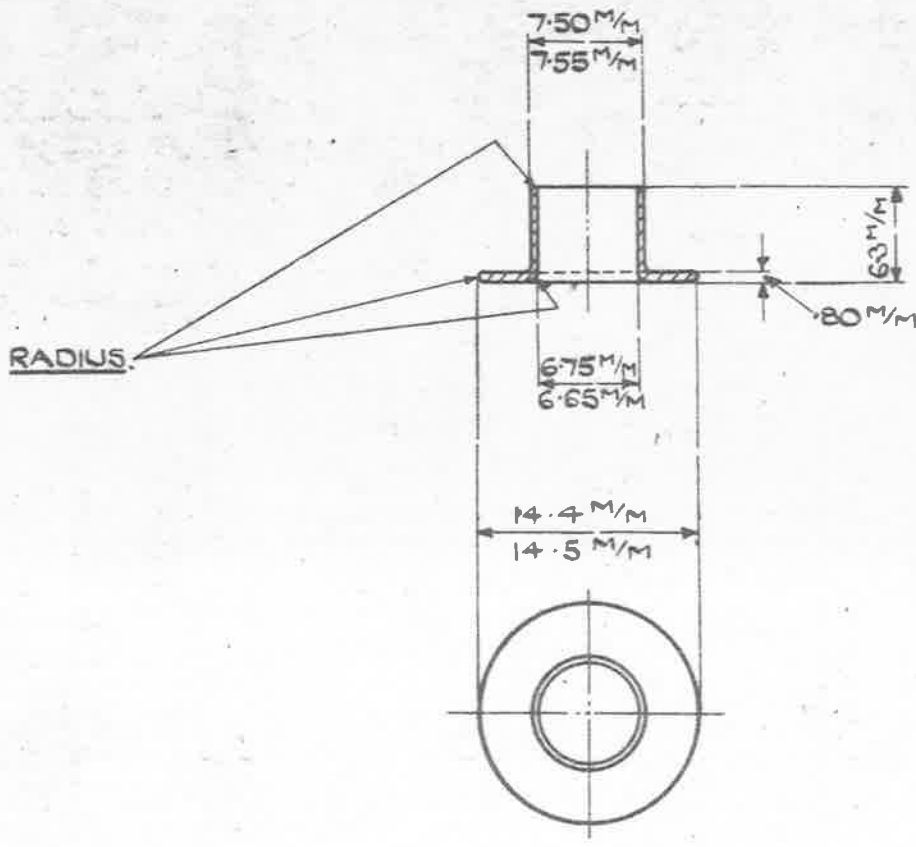
ISSUE S 5M158 5M180

OBSOLESCE - NO FURTHER MANUFACTURE.
EXISTING STOCKS MAY BE USED.

MINISTRY OF
SUPPLY.

AGS. No 1639

SHEET No 1 | No OF SHEETS 1



ALL SHARP EDGES TO BE ROUNDED OFF.

MATERIAL: - BRASS.

FINISH: - ELECTRO-TINNED, THICKNESS NOT LESS THAN .0002

SCALE: 2/1

ISSUED BY ROYAL AIRCRAFT ESTABLISHMENT	TITLE: - SLEEVES, BONDING, METAL BRAIDED CABLE, LT. INNER, TYPE C.				DRAWN R B BASTABLE FROM E&I 7057-6	TRACED H.W. 5-4-40
	ISSUE NO	8	7	7	CHECKED <i>Waver</i>	APPROVED. <i>GM</i> 8-5-40
	ALTER NO	974	993	SM873		