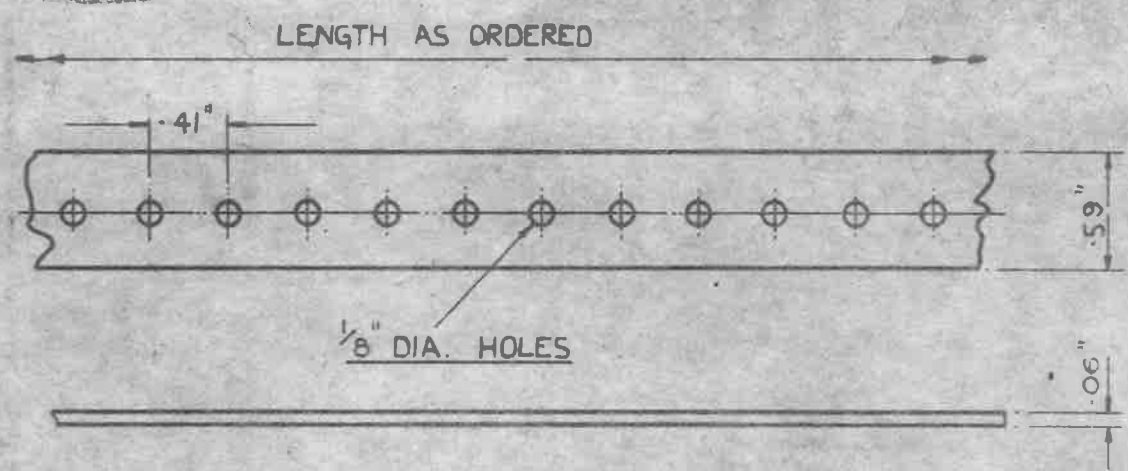


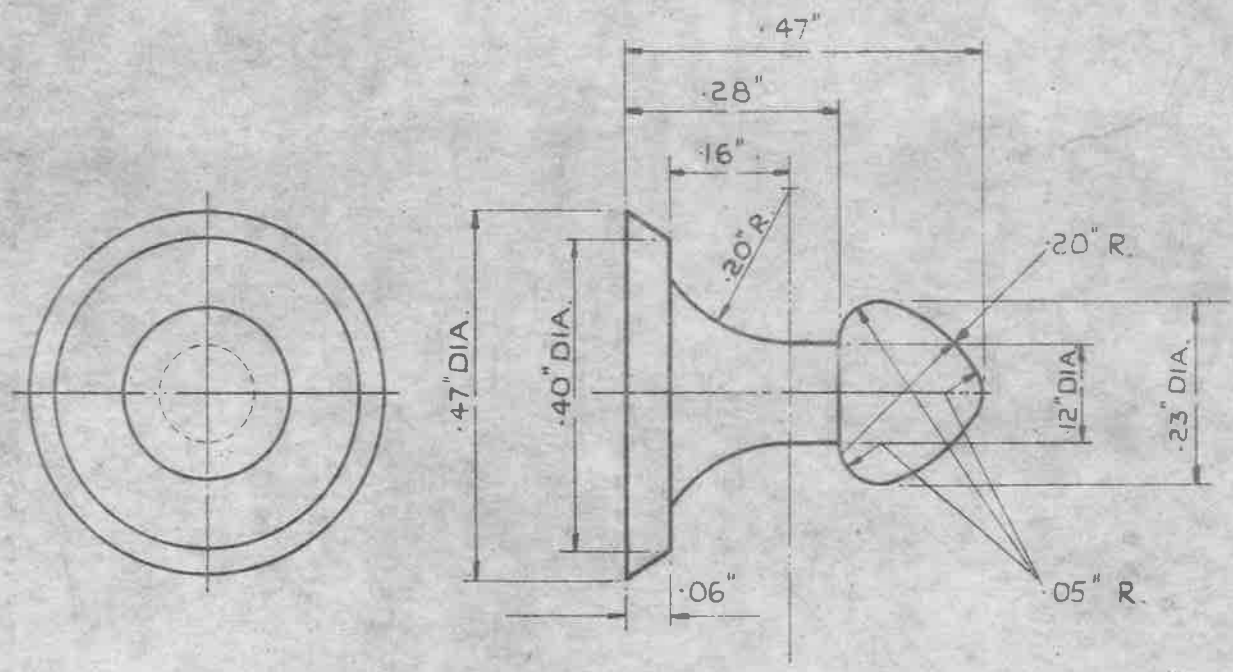
15-7-46
RES. 499:233



MATERIAL :- POLY-VINYL CHLORIDE.

STRIP

1



MATERIAL :- MOULDING TO SPEC. D.T.D. 451.

STUD

2

SCALE :- 4/1

ISSUE No.	1																			
ALTN. No.	MOB. No AGS/616																			
ISSUED BY ROYAL AIRCRAFT		TITLE:- CABLE FASTENING, FLEXIBLE, PERFORATED. & STUD.										DRAWN <i>Sharma</i>		TRACED IO/15-4-46						
												CHECKED <i>Sharma</i>		APPROVED <i>Sharma</i>						