

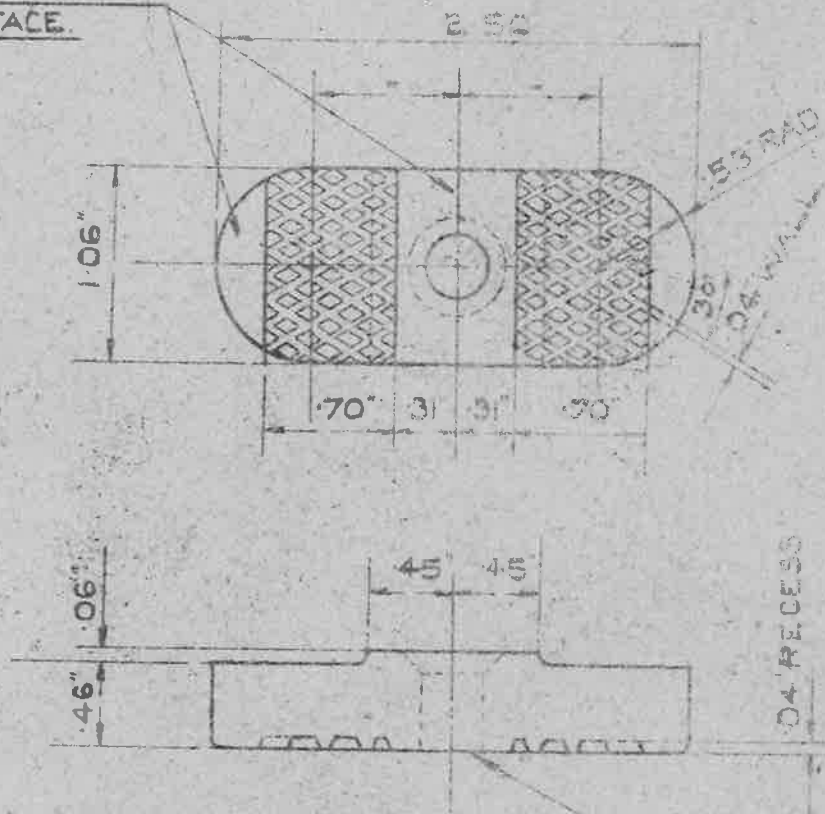
BASED ON MESSRS GENERAL ELECTRIC COS  
CLEAT N<sup>o</sup> WS. 3543.

MINISTRY OF AIRCRAFT PRODUCTION AGS. N<sup>o</sup> 1663

SHEET N<sup>o</sup> 1. IN<sup>o</sup> OF SHEETS 1.

TO BE GLAZED EXCEPT  
ON THIS SURFACE.

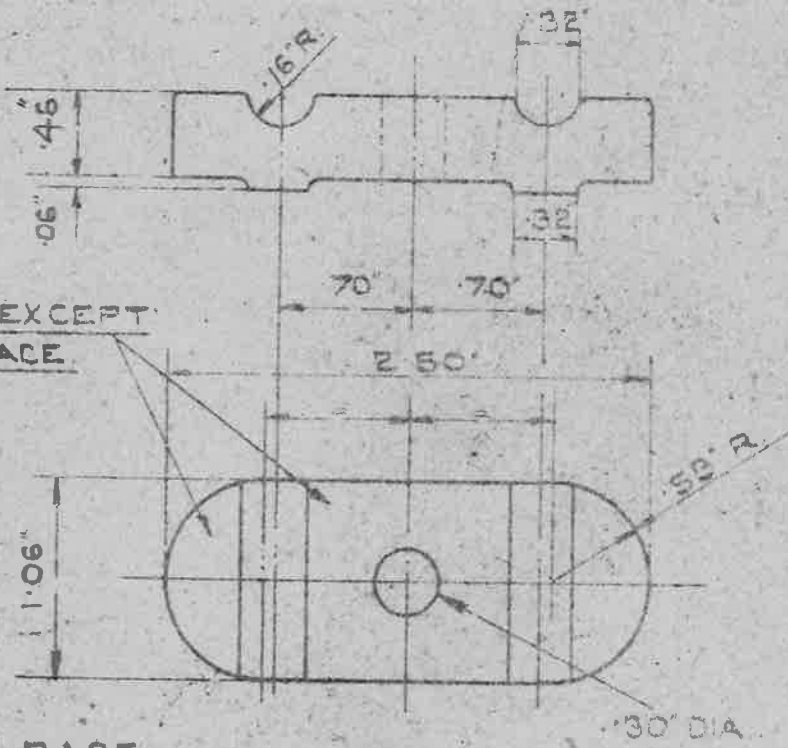
APPROVED  
M.T.  
D. I. D.  
DATE 7-7-44  
WG REF. 155.186



CAP

.30" DIA CHAMFER AT  
90° TO .50" DIA.

TO BE GLAZED EXCEPT  
ON THIS SURFACE.



BASE

1 OFF EACH PER CLEAT  
STORES REF. N<sup>o</sup> SK. 241.

MATERIAL - PORCELAIN

ISSUED BY THE  
ROYAL AIRCRAFT  
ESTABLISHMENT,  
MINISTRY OF  
AIRCRAFT PRODUCTION.

TITLE - CLEAT, WIRING  
PORCELAIN.

ISSUE N<sup>o</sup> + 2  
ALTER N<sup>o</sup> REF. 155.186

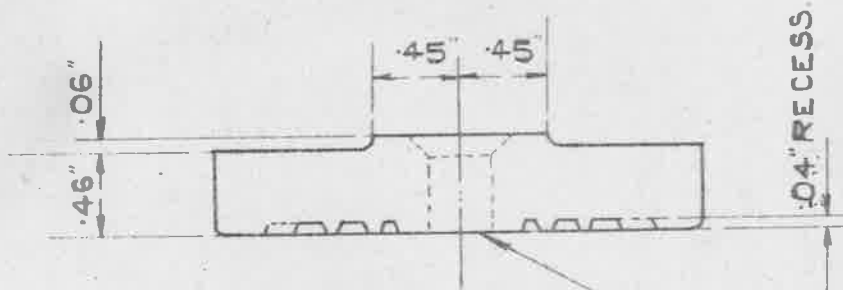
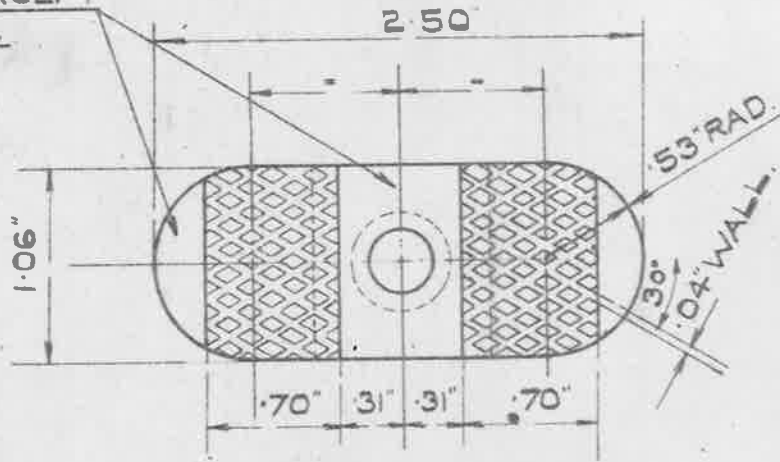
DRAWN  
CHECKED  
APPROVED

BASED ON MESSRS GENERAL ELECTRIC COS.  
CLEAT N° W.S. 3543.

MINISTRY OF AIRCRAFT PRODUCTION AGS. N° 1663

SHEET N° 1. N° OF SHEETS 1.

TO BE GLAZED EXCEPT ON THIS SURFACE.

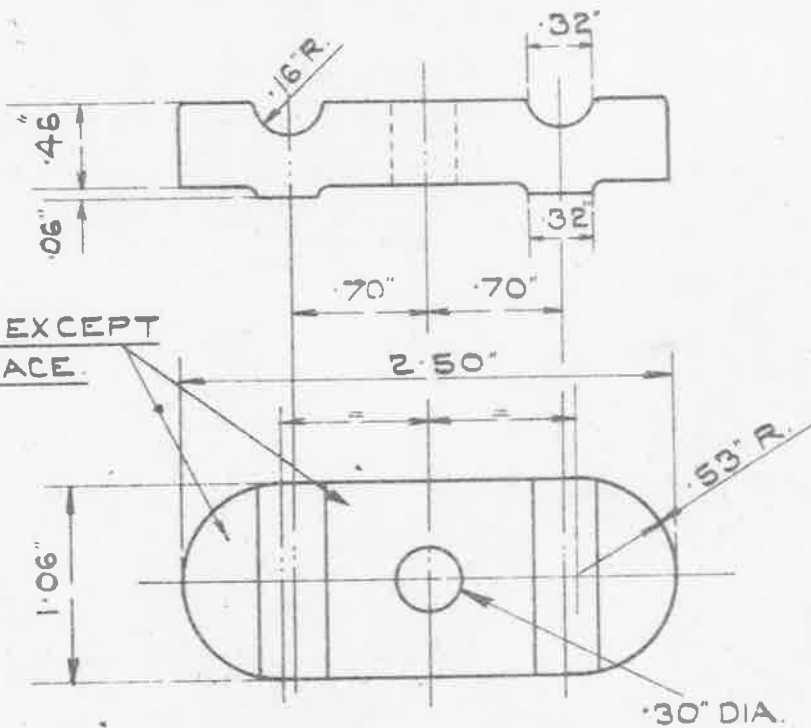


CAP

.30 DIA C'SK AT 90° TO .50 DIA.

OBSOLESCENT - NOT TO BE USED IN NEW DESIGN WORK.

TO BE GLAZED EXCEPT ON THIS SURFACE.



BASE

1 OFF EACH PER CLEAT.  
STORES REF N° SK. 241.

MATERIAL - PORCELAIN.

ISSUED BY THE ROYAL AIRCRAFT ESTABLISHMENT. MINISTRY OF AIRCRAFT PRODUCTION

TITLE: - CLEAT, WIRING, PORCELAIN.		SM 780
ISSUE N°	+ 2 + 3	
ALTERED BY	REVISIONS	MODSACS

DRAWN. <i>Shirley</i>	TRACED M.E.M. 15-3-44
CHECKED <i>D.M. Seashen</i>	APPROVED <i>Shirley</i>