

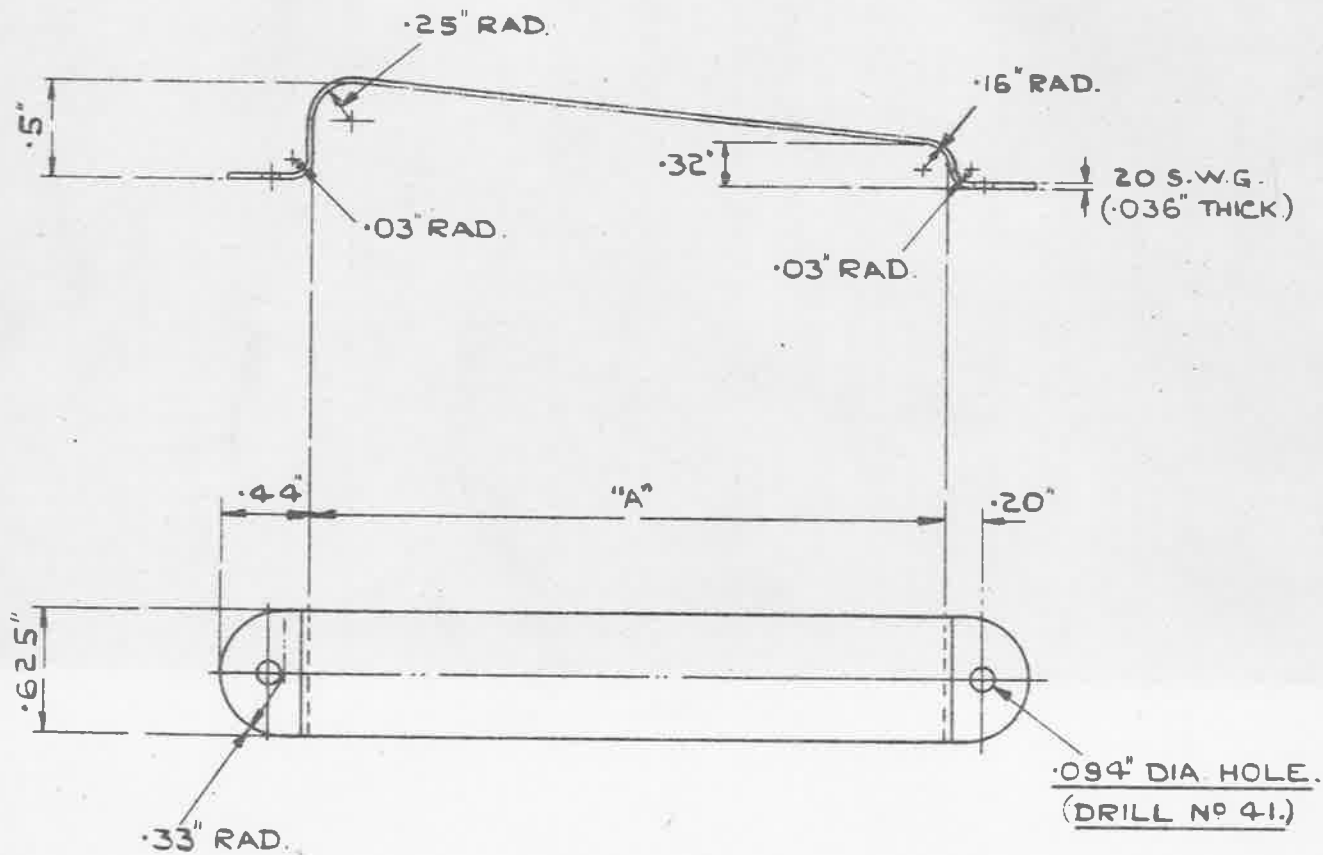
OBSOLESCE - NOT TO BE USED
IN NEW DESIGN WORK. SEE S.D.M. 265

MINISTRY OF
AIRCRAFT PRODUCTION

AGS No. 1666.

SHEET No. 1

No. OF SHEETS 1



CLEAT NO	1	2	3	4	5	6	7	8
DIM. 'A'		.875"	1.375"	1.75"	2.0"	2.5"	2.75"	3.125"
REF. NO		5K/226	5K/227	5K/228	5K/229	5K/230	5K/231	5K/232

MATERIAL:- BRASS TO B.S. SPEC: 265. (LATEST ISSUE.)

FINISH:- ELECTRO-TINNED, THICKNESS NOT LESS THAN .0002".
ALTERNATIVELY, NICKEL PLATING, THICKNESS NOT LESS THAN .0003".

SCALE: 1/1

ISSUED BY THE
ROYAL
AIRCRAFT
ESTABLISHMENT.

TITLE:- CLEATS, WIRING, BRASS,
Nos 2 to 8. (INCLUSIVE).

DRAWN
J.T. Young

TRACED
E.M. 29.9.40

ISSUE NO

1 2 3

3

CHECKED

APPROVED

ALTER. NO

100. No 428/496

AS. No AGS/405

980

SK 781

29 10/40