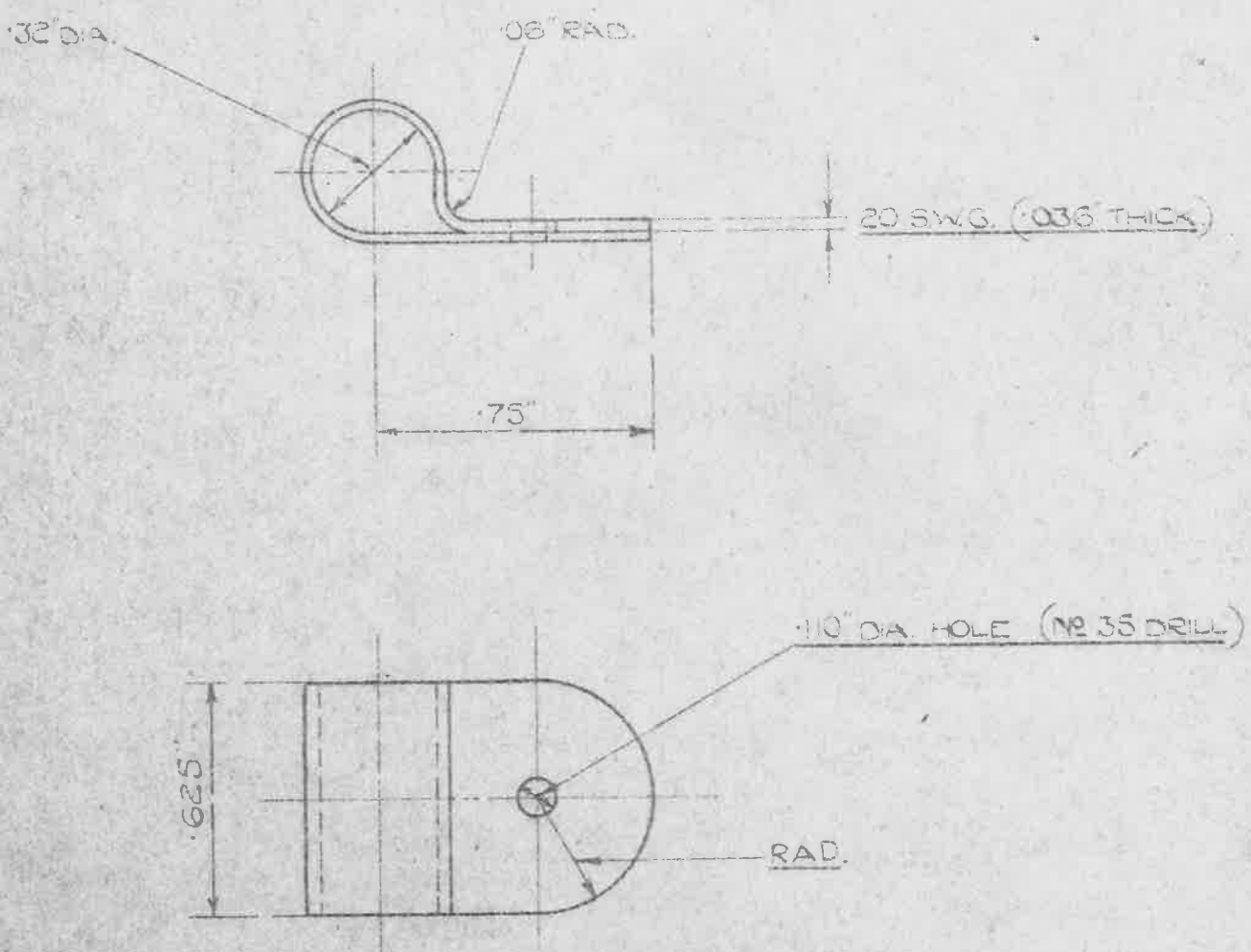


(P)



DEVELOPED LENGTH = 2.20' APPROX.

MATE. ALUMINIUM TO B.S. SPEC. L.17. (LATEST ISSUE)

FINISH: NATURAL.

SCALE: 2/1

STORES REF N^o 5K/219.

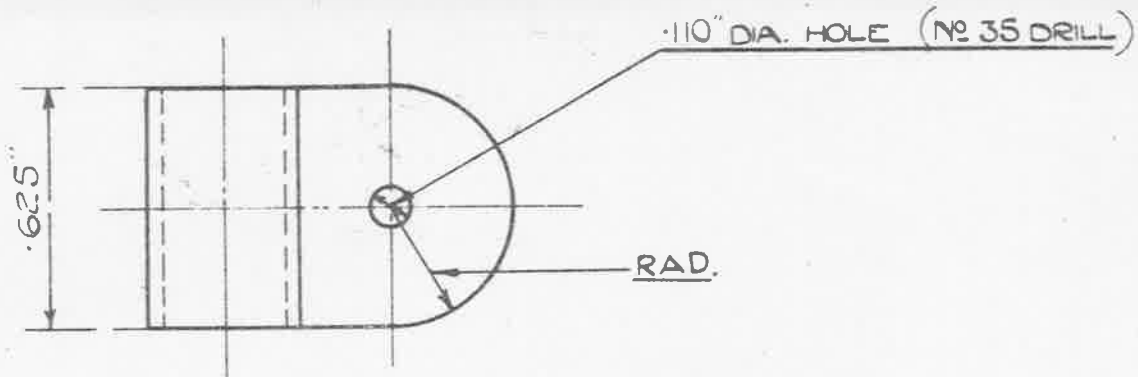
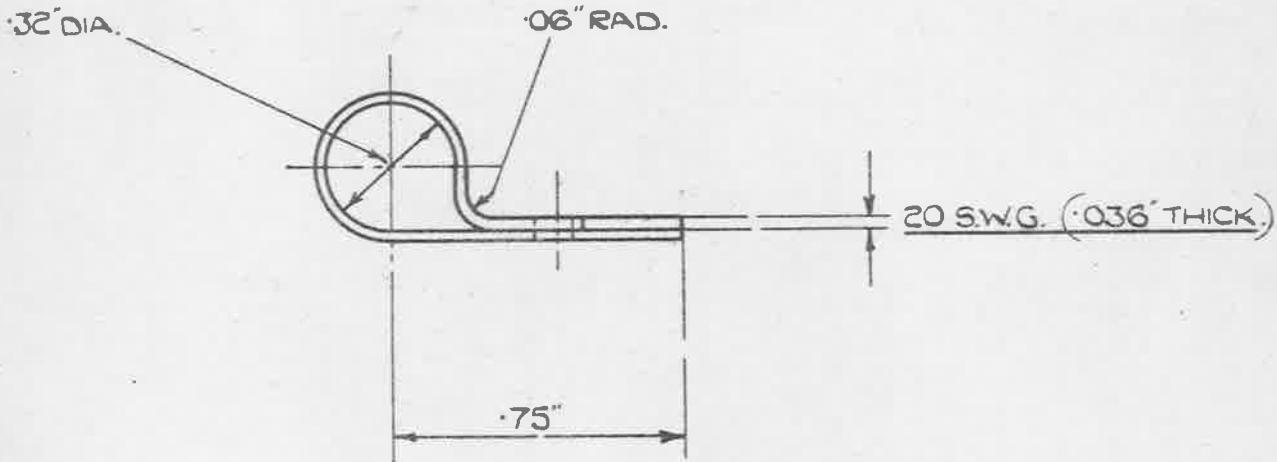
ISSUED BY THE ROYAL AIRCRAFT ESTABLISHMENT	TITLE: CLEAT, WIRING, ALUMINIUM, N ^o 10			DRAWN	TRACE
	ISSUE N ^o	ALTER N ^o	DATE	CHECKED	APPROVED
	2		27/45		

OBSOLESCE - NOT TO BE USED
IN NEW DESIGN WORK. SEE S.D.M. 265.

MINISTRY OF
SUPPLY

AGS. No 1668.

SHEET No 1 | No OF SHEETS 1



DEVELOPED LENGTH = 2.20" APPROX.

MATL. ALUMINIUM TO B.S. SPEC: L.17. (LATEST ISSUE).

FINISH: NATURAL.

SCALE: 2/1

STORES REF No 5K/219.

ISSUED BY THE ROYAL AIRCRAFT ESTABLISHMENT	TITLE: CLEAT, WIRING, ALUMINIUM, No 10			DRAWN. J.T. Young	TRACED L.G. 31.9.40.	
	ISSUE No	1	2	3	CHECKED	APPROVED.
ALTERN No	100/110	AS	AGS	100/110		