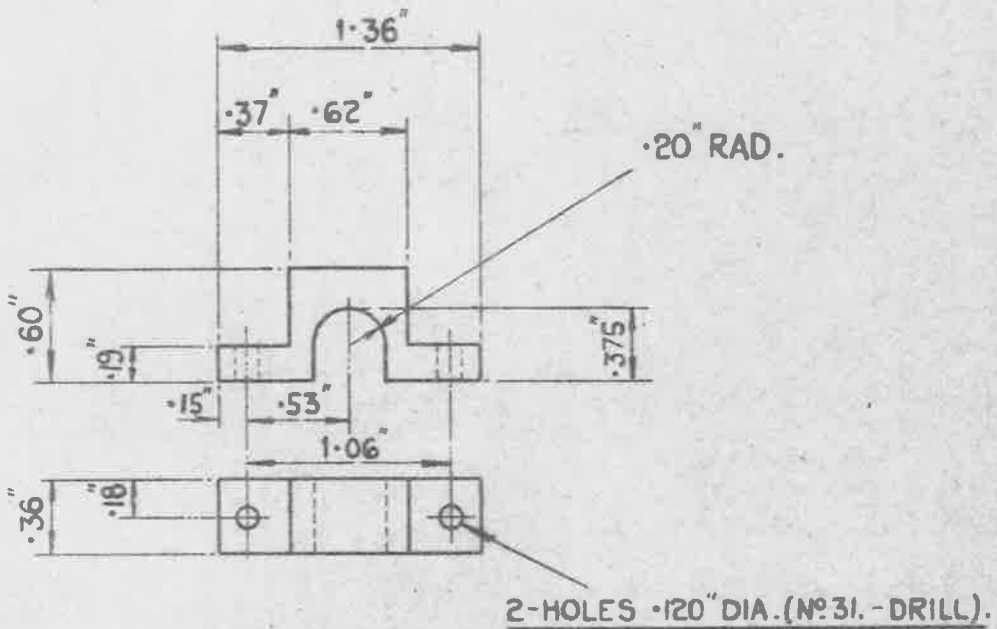


**OBSOLESCE**NT - NO FURTHER  
MANUFACTURE. EXISTING STOCKS  
TO BE USED UP.

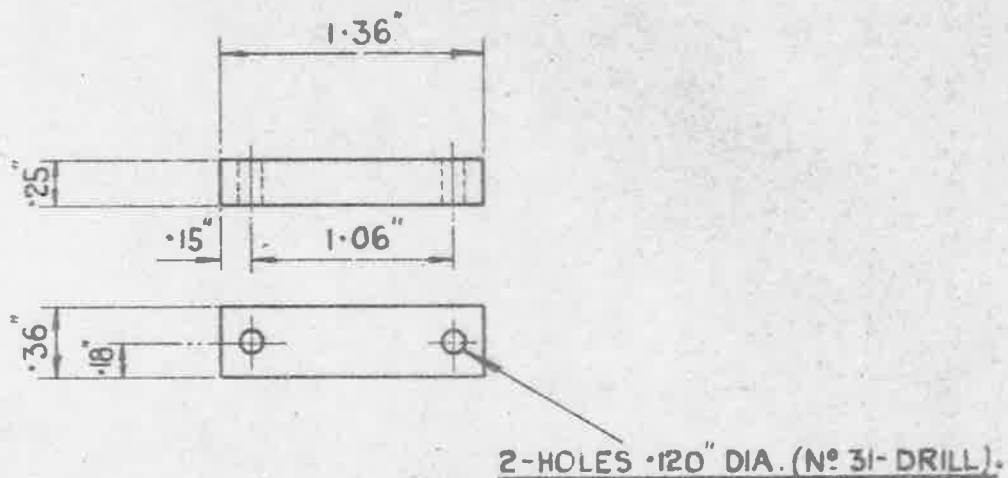
MINISTRY OF SUPPLY **AGS. No 1673.**

**SHEET No 1** | **No OF SHEETS 1**

TOP BLOCK.



BOTTOM BLOCK.



ONE OFF EACH PER CLEAT.

MATERIAL:- FIBRE.

B.S. SPEC: No 216 (1936) OR MOULDED

MATERIAL TO SPEC: D.T.D 451.

(LATEST ISSUES.)

REF No 5.K/235.

MINISTRY OF SUPPLY  
APPLICATION FOR A.G.S. SHEETS  
TO A.T.P.4, CHESSINGTON, SURREY.  
GENERAL ENQUIRIES TO:-  
A.D/S A.E, 5 GILES COURT,  
17-13 ST GILES HIGH STREET,  
LONDON, W.C.2

TITLE:- CLEAT, WIRING,  
FIBRE, No 1. SM 625

ISSUE No 2 JAR  
ALTERS No 1 Mod. No MOD/LES enters 014

DRAWN.

*J. E.*

CHECKED

*J.*

TRACED

DW. 28.9.40.

APPROVED.

*J. E.*