

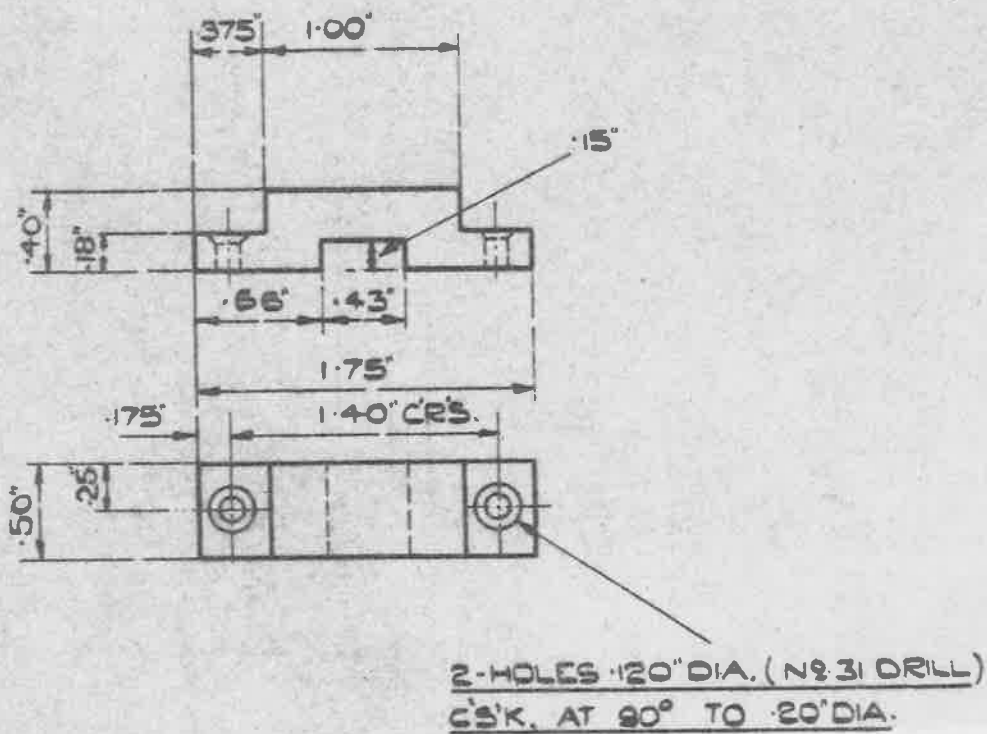
**OBSOLESCE** - NO FURTHER  
MANUFACTURE. EXISTING STOCKS TO  
BE USED UP.

MINISTRY OF  
SUPPLY

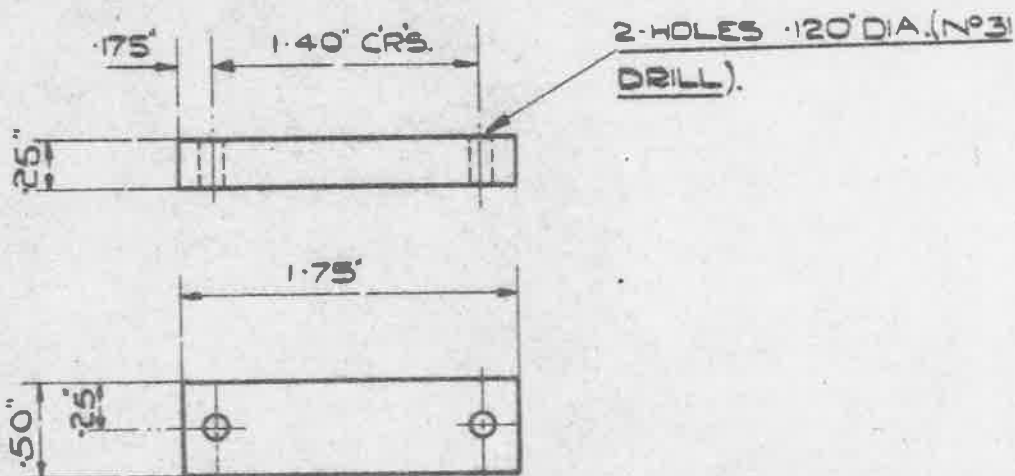
AGS. N<sup>o</sup> 1675.

SHEET N<sup>o</sup> 1

N<sup>o</sup> OF SHEETS 1.



TOP BLOCK.



BOTTOM BLOCK.

ONE OF EACH PER CLEAT

MATERIAL:- FIBRE.

B.S. SPEC: N<sup>o</sup> 216. (1936) OR MOULDED

MATERIAL TO SPEC: D.T.D. 451. (LATEST ISSUES.)

REF. N<sup>o</sup> 5K/237

MINISTRY OF SUPPLY  
APPLICATION FOR A.G.S.  
SHEETS TO AT.P.A. CHESSINGTON,  
SURREY.  
GENERAL ENQUIRIES TO:-  
AD/SAE, ST GILES COURT,  
1-13 ST GILES HIGH STREET,  
LONDON, W.C.2.

TITLE:- CLEAT, WIRING,  
FIBRE, N<sup>o</sup> 3. SM 626

ISSUE N <sup>o</sup>	1	2			
ALTERS N <sup>o</sup>	11/520	14/520	23/5		

DRAWN.

J.E.

CHECKED

[Signature]

TRACED

J.D.T.  
29.9.40.

APPROVED

[Signature]