

MARK	REF. N°	A	B	C	D	E	F	G	H
B	5K/427	.15"	.35"	.625"	.23"	.25"	.047"	.047"	.075"
D	5K/429	.25"	.53"	1.00"	.29"	.375"	.062"	.078"	.10"

MATERIAL :- MILD STEEL WITH FIBRE INSULATION.

FINISH (STEEL) :- TO BE CADMIUM PLATED TO SPEC: D.T.D 904 (LATEST ISSUE).

ISSUED BY
ROYAL
AIRCRAFT
ESTABLISHMENT

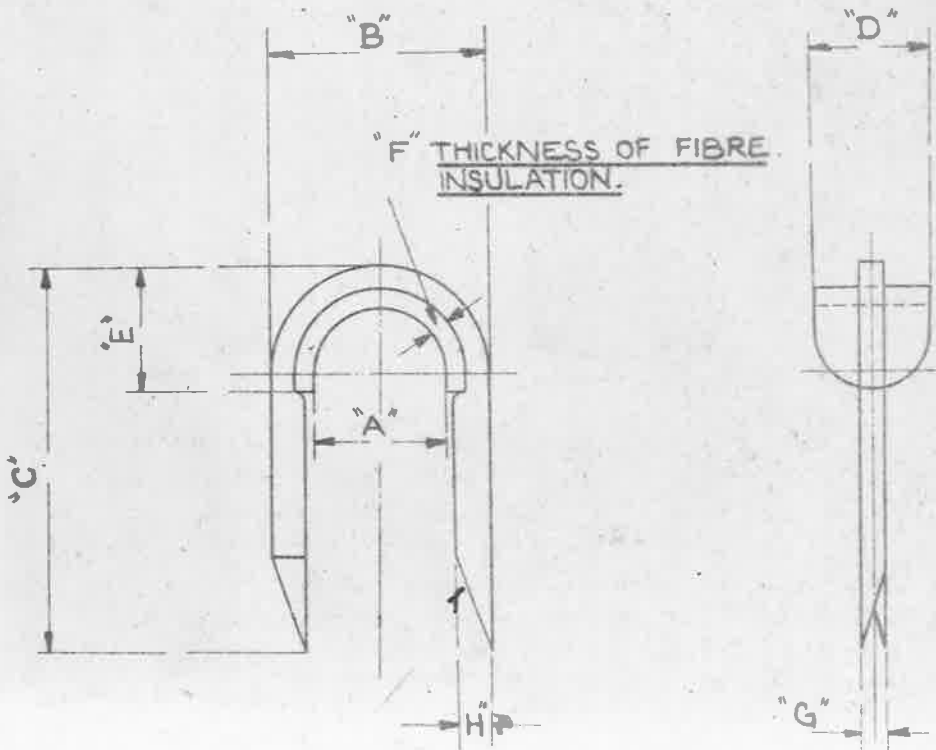
TITLE :-
STAPLES, INSULATING.

ISSUE N°	1	2	10		
ALTERN N°	Mod N°	AS/ACS	663		
	ACS 48.1				

RETRACED
DIVISION OF AIRCRAFT
PRODUCTION
GOVT AIRCRAFT FACTORIES.

OBSOLESCE—NOT TO BE
USED IN NEW DESIGN WORK.

MINISTRY OF SUPPLY **AGS. No 1685**
SHEET No 1. No OF SHEETS 1.



MARK.	REF. No	A	B	C	D	E	F	G	H.
B	5K/427	.15"	.35"	.625"	.23"	.25"	.047"	.047"	.075"
D	5K/429	.25"	.53"	1.00"	.29"	.375"	.062"	.078"	.10"

MATERIAL :- MILD STEEL WITH FIBRE INSULATION.

FINISH (STEEL) :- TO BE CADMIUM PLATED TO SPEC: D.T.D. 904 (LATEST ISSUE).

ISSUED BY ROYAL AIRCRAFT ESTABLISHMENT.	TITLE:- <u>STAPLES, INSULATING.</u>			DRAWN: <i>J. Young</i>	TRACED IA.27.9.40	
	ISSUE N°	1	2	3	CHECKED	APPROVED
REF. No	441.434	AS/AGS	663	1979		