

ALL SHARP EDGES TO BE ROUNDED OFF.

MARK.	"A"	"B"	REF. No
1	0.25"	0.307"	5K/73
2	0.316"	0.375"	5K/74
3	0.35"	0.408"	5K/75
4	0.166"	0.225"	5K/197

MATERIAL:- BRASS TO B.S.SPEC:249 (LATEST ISSUE)

FINISH:- TO BE ELECTRO-TINNED, TO SPEC: D.T.D. 924 (LATEST ISSUE).

MARKS 1,2 & 3 REPLACE DRG: E&I 4472-3A-3B-3C.
RESPECTIVELY.

SCALE:- 4/1.

ISSUED BY
ROYAL
AIRCRAFT
ESTABLISHMENT

TITLE:- SLEEVES, BONDING, METAL BRAIDED
CABLE, LT. TYPE 4, CIRCULAR, INNER.

DRAWN:

J.L.

TRACED
R.F.C.
14-10-40

ISSUE No

6

CHECKED

Waver

APPROVED

W.L.
2-12-40

ALTER No

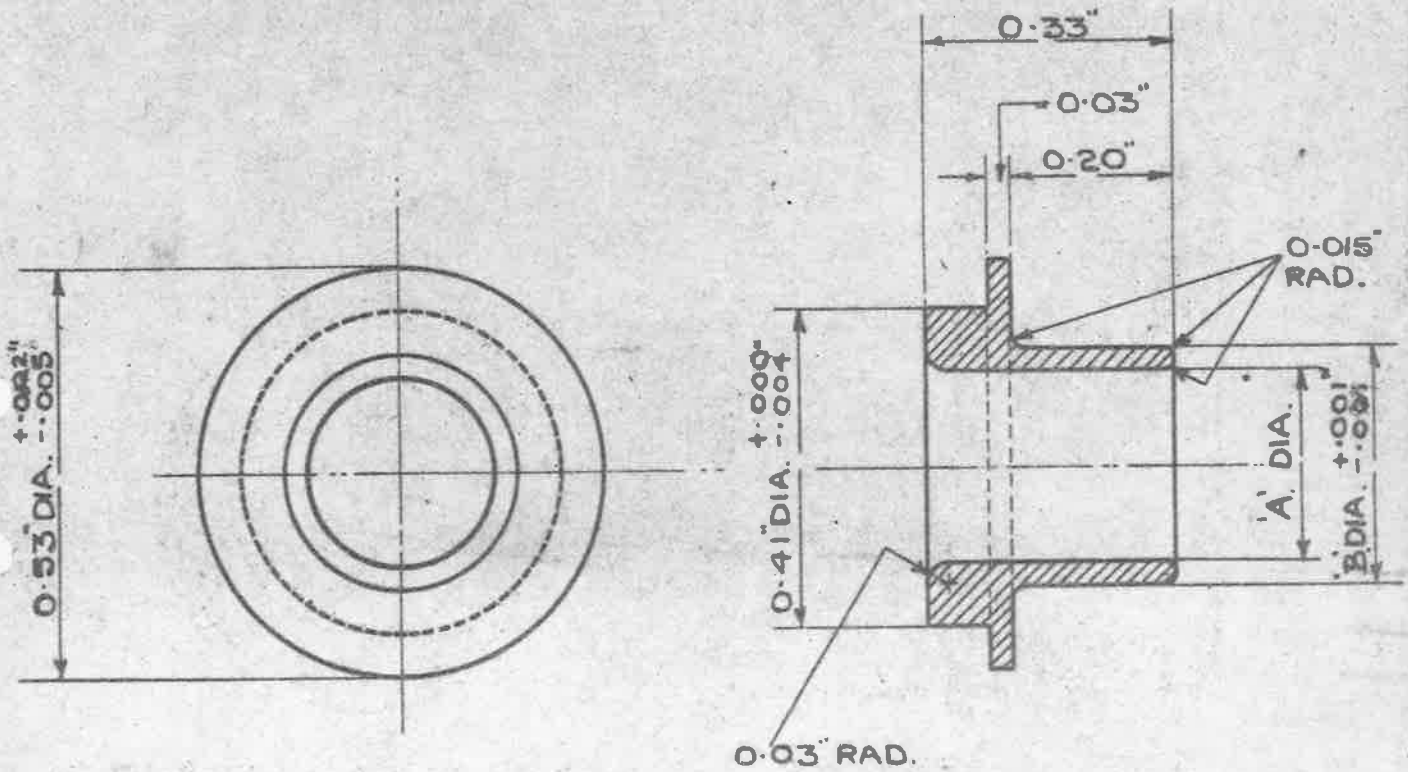
AS/CS
853
SM459

OBSOLESCEMENT-NO FURTHER MANUFACTURE
EXISTING STOCKS MAY BE USED,

MINISTRY OF
SUPPLY

AGS.No 1686

SHEET No 1 / No OF SHEETS 1



ALL SHARP EDGES TO BE ROUNDED OFF.

MARK.	"A"	"B"	REF. No
1	0.25"	0.307"	5K/73
2	0.316"	0.375"	5K/74
3	0.35"	0.408"	5K/75
4	.166"	.225"	5K/197

MATERIAL:- BRASS TO B.S.SPEC:249 (LATEST ISSUE.)

FINISH:- TO BE ELECTRO-TINNED; TO SPEC: D.T.D. 924 (LATEST ISSUE).

MARKS [2 & 3 REPLACE DRG: E&I 4472-3A-3B-3C.
RESPECTIVELY.

SCALE:- 4/1.

ISSUED BY ROYAL AIRCRAFT ESTABLISHMENT	TITLE:- SLEEVES, BONDING, METAL BRAIDED CABLE, LT. TYPE 4, CIRCULAR, INNER.			DRAWN: <i>J.E.</i>	TRACED R.F.C. 14-10-40
	ISSUE NR	38	5M/72	CHECKED	APPROVED.
	ALTER# NR	853	853	<i>Waver</i>	<i>Waver</i> 2-12-40