

ALL SHARP EDGES TO BE ROUNDED OFF.

MARK.	"A"	REF. No
1	0.332"	5K/76
2	0.40"	5K/77
3	0.433"	5K/78
4	0.25"	5K/198

MATERIAL :- BRASS. TO B.S. SPEC. 249 (LATEST ISSUE)

FINISH :- TO BE ELECTRO-TINNED TO SPEC: D.T.D. 924 (LATEST ISSUE)

MARKS 1,2&3 REPLACE DRG E&I 4472-4A-4B-4C
RESPECTIVELY

SCALE :- 3/1

ISSUED BY
ROYAL
AIRCRAFT
ESTABLISHMENT

TITLE :- SLEEVES, BONDING, METAL BRAIDED
CABLE, LT. TYPE 4, CIRCULAR OUTER.

DRAWN

TRACED
O. STEVENS
14-10-40.

ISOLE No

X6

CHECKED

APPROVED.

ALTER No

853

[Signature]

[Signature]

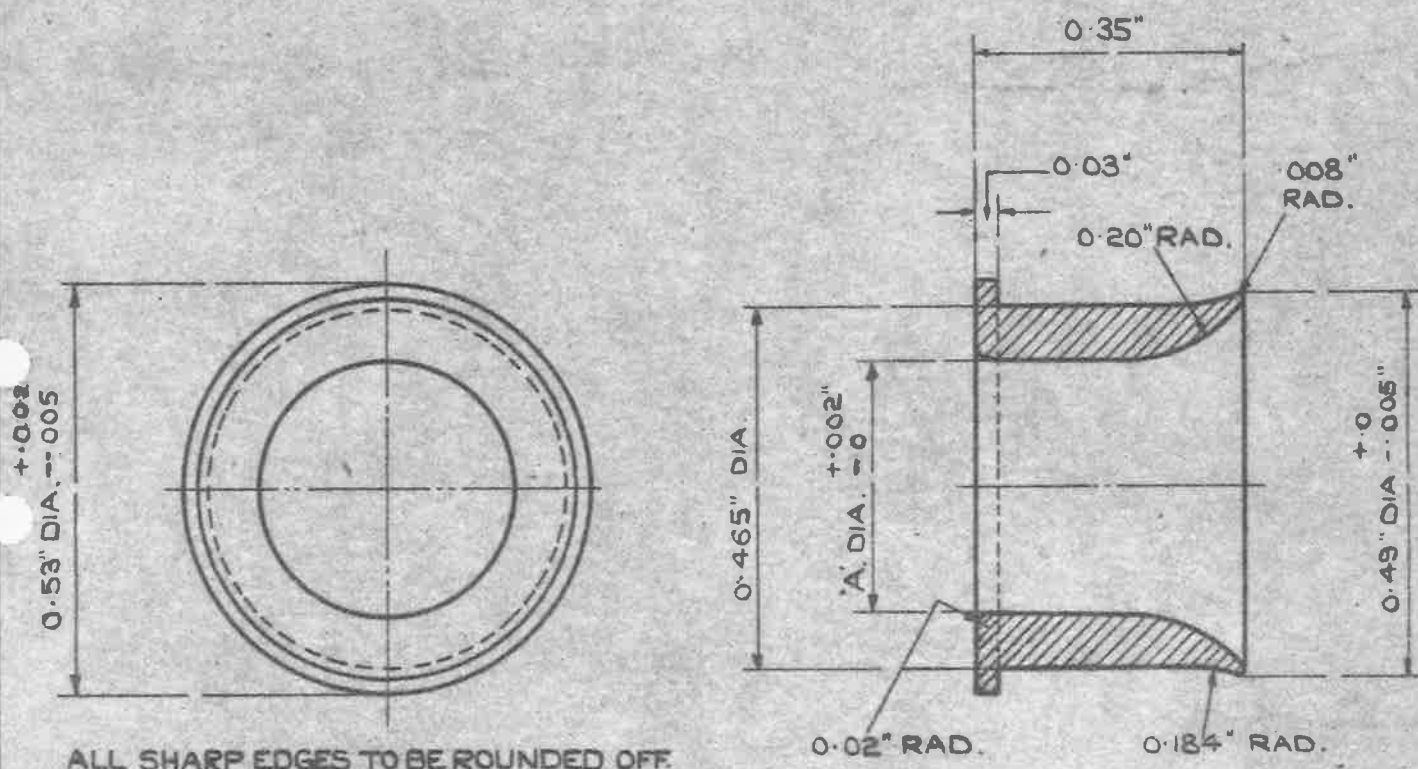
SM459

OBSOLESCE NO FURTHER MANUFACTURE
EXISTING STOCKS MAY BE USED.

MINISTRY OF
SUPPLY

AGS. No 1687.

SHEET No 1 IN No OF SHEETS 1



ALL SHARP EDGES TO BE ROUNDED OFF.

MARK.	"A"	REF. No
1	0.332"	5K/76
2	0.40"	5K/77
3	0.433"	5K/78
4	0.25"	5K/198

MATERIAL :- BRASS. TO B.S. SPEC. 249 (LATEST ISSUE)

FINISH :- TO BE ELECTRO-TINNED TO SPEC: D.T.D. 924 (LATEST ISSUE)

MARKS 1,2&3 REPLACE DRG. E&I. 4472-4A-4B-4C.
RESPECTIVELY.

SCALE: 1/1.

ISSUED BY
ROYAL
AIRCRAFT
ESTABLISHMENT

TITLE: SLEEVES, BONDING, METAL BRAIDED
CABLE, LT. TYPE A, CIRCULAR, OUTER.

DRAWN.

TRACED
D. STEVENS
14-10-40.

ISSUE No 3 5/1/87

CHECKED

APPROVED.

ALTERS No 853 953

W. W. W.

2.12.40