

EDGES MUST BE FREE FROM BURRS.

MARK.	X ±.002"	REF. N ^o
1	.310"	5K/33
2	.36"	5K/34
3	.39"	5K/35

MATL :- BRASS TUBE TO B.S. SPEC. 886, (LATEST ISSUE), OR
BRASS SHEET (22 S.W.G) TO B.S. SPEC. 265, (LATEST ISSUE) ANNEALED,
OR B.S. SPEC. 267, (LATEST ISSUE), ANNEALED.

FINISH:- ELECTRO-TINNED, TO SPEC. D.T.D. 924 (LATEST ISSUE)

THESE PARTS REPLACE DRGS. E&I 5007/1A & 1B, /1C, /1D.

SCALE:- 4/1.

MINISTRY OF SUPPLY
APPLICATIONS FOR AGS SHEETS
TO A.T.P. 4, CHESSINGTON, SURREY
GENERAL ENQUIRIES TO
A.D./S.A.E. ST GILES COURT,
1-13 ST GILES HIGH STREET,
LONDON, W.C. 2.

TITLE:- SLEEVES, PLAIN CABLE,
L.T. TYPE 1, CIRCULAR, N^o 2.

DRAWN

J.E.

TRACED

30.14.10.40

ISSUE N^o

6

CHECKED

Waver

APPROVED.

Waver
2.12.40

ALTERS N^o

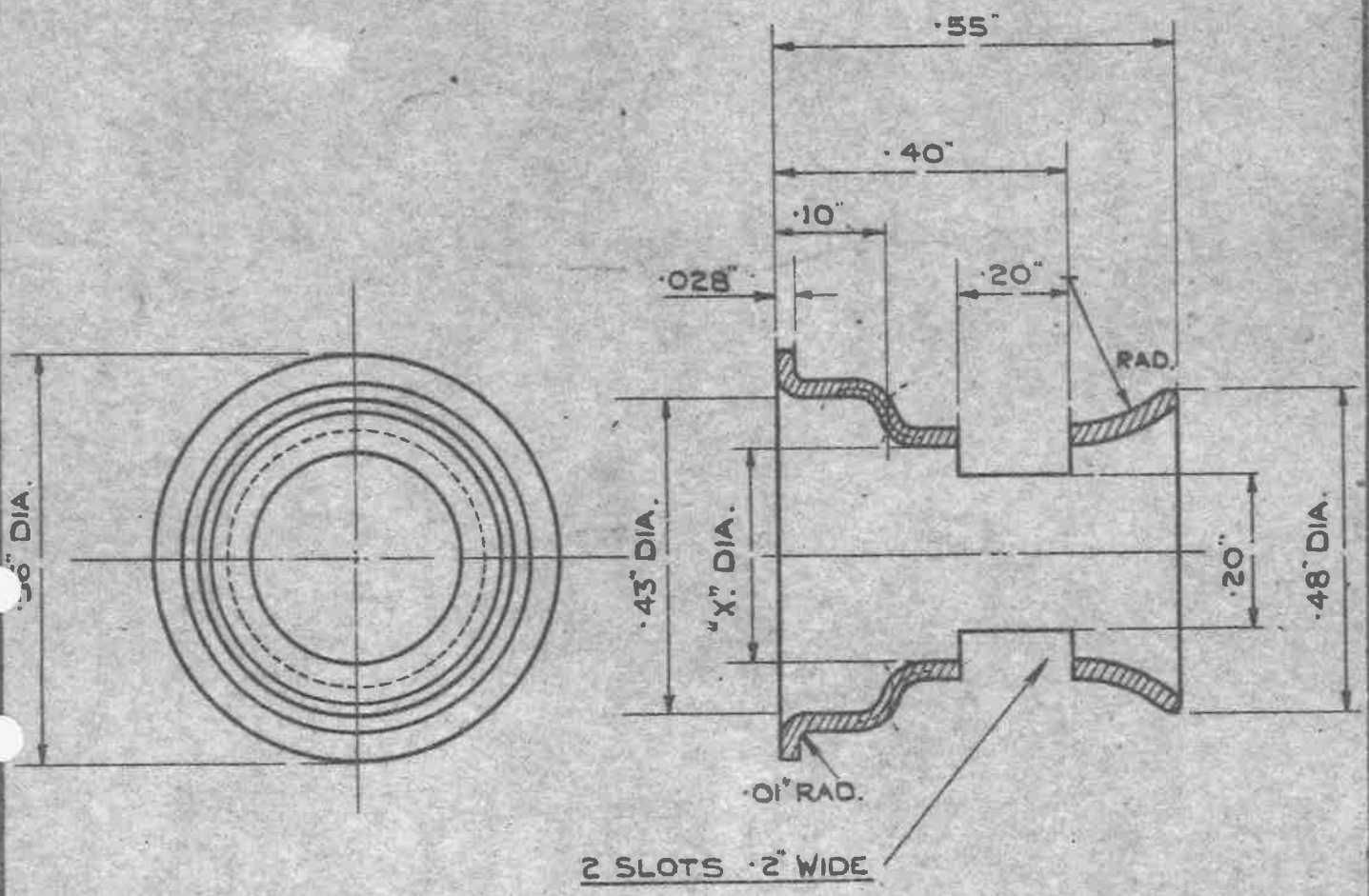
942

OBSOLESCE - NO FURTHER MANUFACTURE
EXISTING STOCKS MAY BE USED.

MINISTRY OF
SUPPLY

AGS. No 1688

SHEET No 1 | No OF SHEETS 1



EDGES MUST BE FREE FROM BURRS.

MARK.	X ±.002"	REF. No
1	.310"	SK/33
2	.36"	SK/34
3	.39"	SK/35

MATL: - BRASS TUBE TO B.S. SPEC: 886, (LATEST ISSUE), OR BRASS SHEET (22 S.W.G) TO B.S. SPEC. 265, (LATEST ISSUE) ANNEALED, OR B.S. SPEC. 267, (LATEST ISSUE), ANNEALED.

FINISH: - ELECTRO-TINNED TO SPEC. D.T.D. 924 (LATEST ISSUE)

THESE PARTS REPLACE DRGS. E&I 5007/1A & 1B, /1G, /1D.

SCALE: - 4/1.

MINISTRY OF SUPPLY APPLICATIONS FOR AGS SHEETS TO A.T.P. 4, CHESSINGTON, SURREY GENERAL ENQUIRIES TO: A.D./S.A.E. ST GILES COURT, 1-13, ST GILES HIGH STREET, LONDON, W.C. 2.	TITLE - SLEEVES, PLAIN CABLE, L.T. TYPE 1, CIRCULAR, No 2.		DRAWN. <i>J.E.</i>	TRACED B.D. 14-10-40
	ISSUE No 6 Sm 7812	ALTERS No 942 1993	CHECKED <i>Waver?</i>	APPROVED. <i>[Signature]</i> 2-12-40