

EDGES MUST BE FREE FROM BURRS

THIS PART REPLACES. DRG. E&I 5007/2

MAT: - BRASS TUBE TO B.S. SPEC: 886 OR  
BRASS SHEET (22 S.W.G) TO B.S. SPEC. 265 (ANNEALED)

FINISH: - ELECTRO-TINNED, TO SPEC: D.T.D. 924 (LATEST ISSUE)

SCALE 4/1.

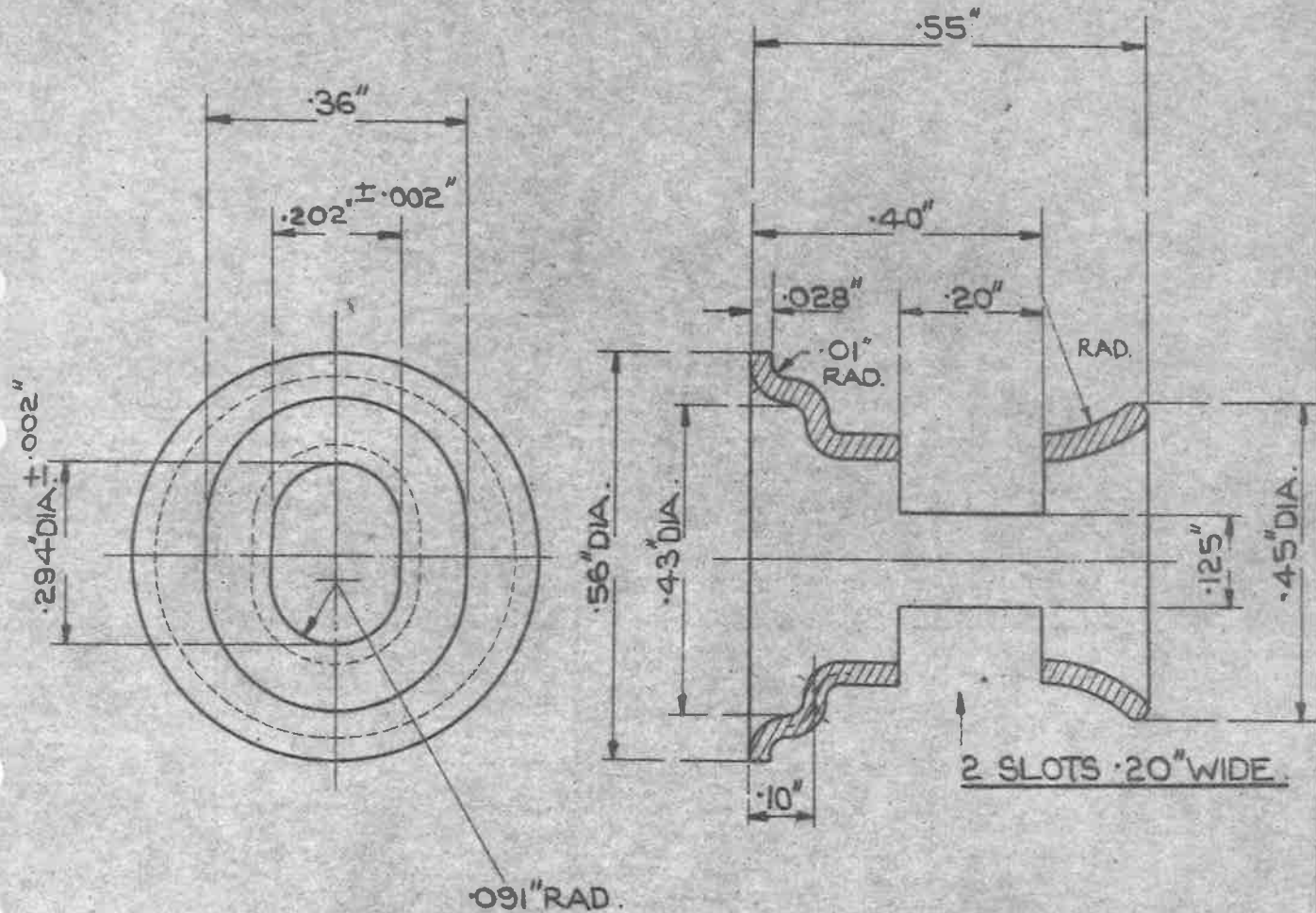
STORES REFERENCE No 5K/40

ISSUED BY THE ROYAL AIRCRAFT ESTABLISHMENT	TITLE:- SLEEVES, PLAIN CABLE, L.T. TYPE 1, OVAL, No 2.				DRAWN. <i>J.E.</i>	TRACED I.A. No: 10:40.
	ISSUE NO <i>1</i>	<i>2</i>	<i>3</i>	<i>4</i>	CHECKED <i>Waver</i>	APPROVED <i>2-12-40</i>
ALTERS NO		AGS/100	AGS/299	AGS/391	806	853

**OBSOLESCE** - NO FURTHER MANUFACTURE.  
EXISTING STOCKS MAY BE USED.

MINISTRY OF SUPPLY **AGS. No 1689**

**SHEET No 1** / **No OF SHEETS 1**



**EDGES MUST BE FREE FROM BURRS**

**THIS PART REPLACES DRG. E&I 5007/2**

**MATL:- BRASS TUBE TO B.S. SPEC: 886 (LATEST ISSUE) OR  
BRASS SHEET (22 S.W.G) TO B.S. SPEC. 265 (LATEST ISSUE), ANNEALED,  
OR B.S. SPEC. 267 (LATEST ISSUE), ANNEALED.**

**FINISH:- ELECTRO - TIN TO SPEC. D.T.D. 924 (LATEST ISSUE).**

**STORES REFERENCE No: 5K/40**

**SCALE :- 4/1**

MINISTRY OF SUPPLY  
APPLICATIONS FOR A.G.S. SHEETS  
TO A.T.P.4, CHESSINGTON, SURREY.

**TITLE:- SLEEVES, PLAIN CABLE,  
L.T. TYPE 1, OVAL, No 2.**

DRAWN.

*J.E.*

TRACED

*I.A. 14.10.40.*

GENERAL ENQUIRIES TO:-  
A.D./S.A.E, ST GILES COURT, 1-13  
ST GILES HIGH STREET,  
LONDON, W.C.2.

ISSUE No

*6* *SM 872*

ALTER No

*AS/AGS 100/42*  
*942 9/3*

CHECKED

*Wesley*

APPROVED

*2.12.40*