

MATERIAL ALUMINIUM TO B.S SPEC: L. 17. (LATEST ISSUE), SCALE 4"
 FINISH: NATURAL

STORES REF. No 5 K/220.

ISSUED BY THE ROYAL AIRCRAFT ESTABLISHMENT	TITLE:-- CLEAT WIRING ALUMINIUM			DRAWN L.C.O.	RE-TRACED BL 29.6.42
	ISSUE NO	1	21	CHECKED	APPROVED
	ALTER NO	13/12	20/6/5		

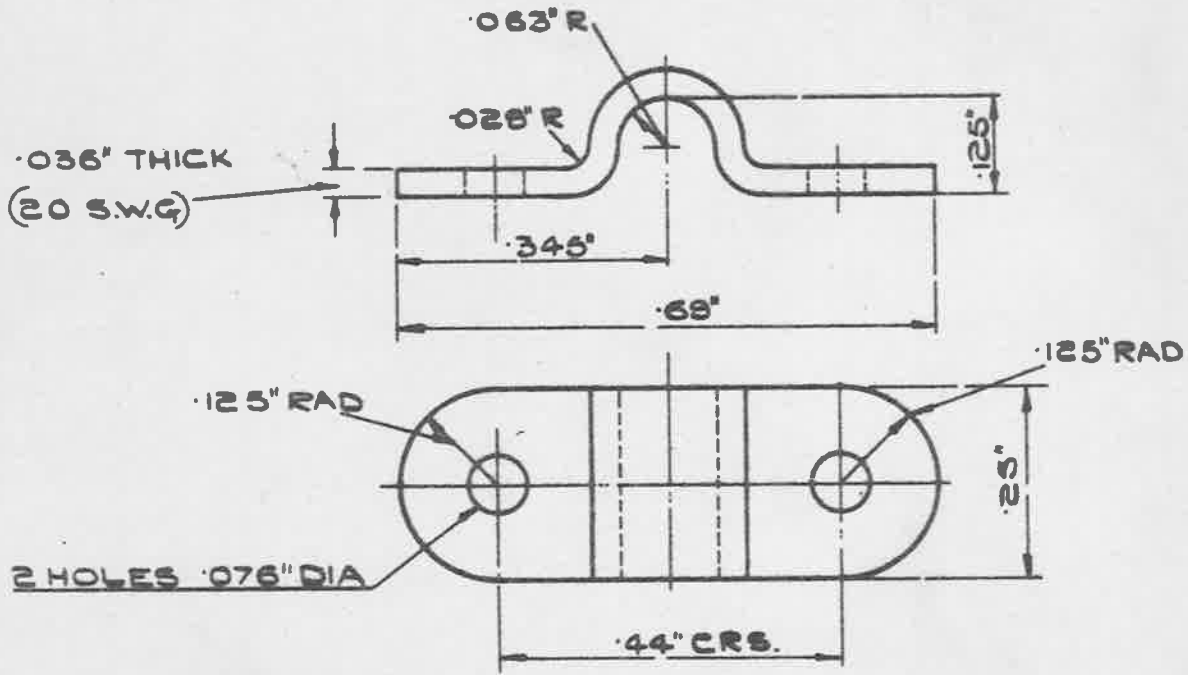
OBSOLESCE - NOT TO BE USED
IN NEW DESIGN WORK. SEE S.O.M. 265

MINISTRY OF
SUPPLY

AGS. N^o 1690

SHEET N^o 1

N^o OF SHEETS 1.



MAT ALUMINIUM TO B.S. SPEC: L. 17. (LATEST ISSUE). SCALE: - 4/1

FINISH: - NATURAL.

STORES REF. N^o 5 K/220.

ISSUED BY THE
ROYAL
AIRCRAFT

TITLE: - CLEAT WIRING, ALUMINIUM.

DRAWN
L.C.O.

RE-TRACED
B.L.
29.6.42

ISSUE N^o 1 2 3

CHECKED

APPROVED.