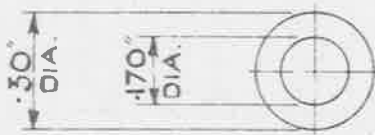
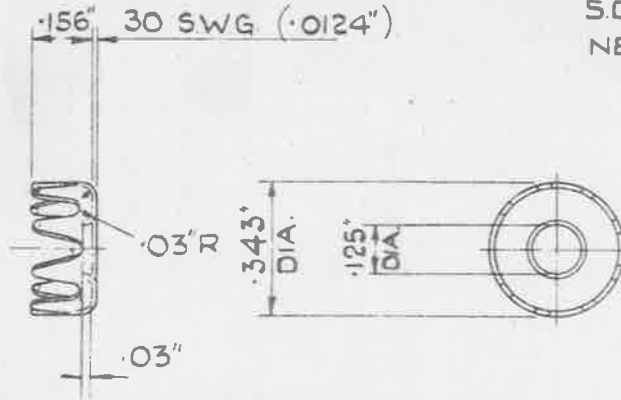


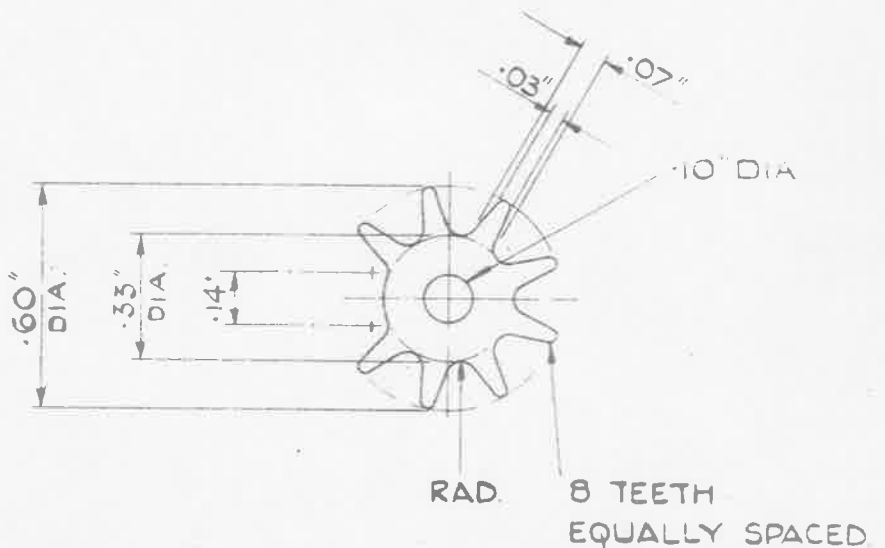
OBSOLESCENT

SELECT ITEMS FROM
S.D.M (A) 256, FOR
NEW DESIGNS



LOOSE WASHER
22 SWG (.020")
ONE OFF PER CABLE END

DEVELOPMENT
OF BLANK
(NOMINAL DIMENSIONS)



MATERIAL :- BRASS TO BS SPEC. 265 (LATEST ISSUE) HARD ROLLED
FINISH :- ELECTRO-TINNED, TO SPEC DTD 924 (LATEST ISSUE) OR NICKEL PLATED,
TO BS SPEC. 1224 (LATEST ISSUE) THICKNESS NOT LESS THAN .0003"

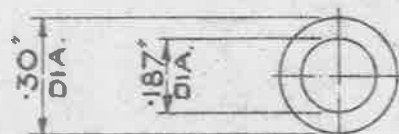
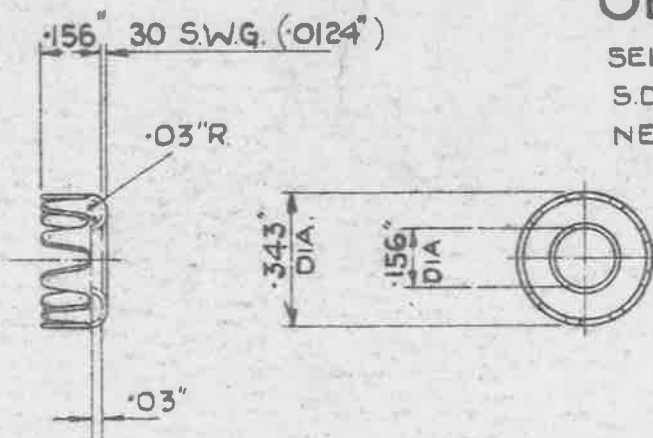
REF. NO 5K/910

SCALE 2/1

TITLE CABLE ENDS CROWN EYE TYPE. MK.A.	SM 671			
	ISSUE	6		
MINISTRY OF SUPPLY APPLICATIONS FOR AG.S. SHEETS TO:- A.T.P.4, CHESINGTON SURREY GENERAL ENQUIRIES TO:- AD/S.A.E., ST GILES COURT, 1-13 ST GILES HIGH STREET, LONDON W.C. 2.	ALT. NO.	MOD/AGS 907		
	R.A.E. APPROVAL		AD S.A.E. APPROVAL	
SIGNATURE	DATE	SIGNATURE	DATE	
<i>ASBewell</i>	4.4.52	<i>G.T. Tainton</i>	20/2/53	
SHEET NO	1	A.G.S. NO 1691		
NO OF SHEETS	8	SHEET. 1.		

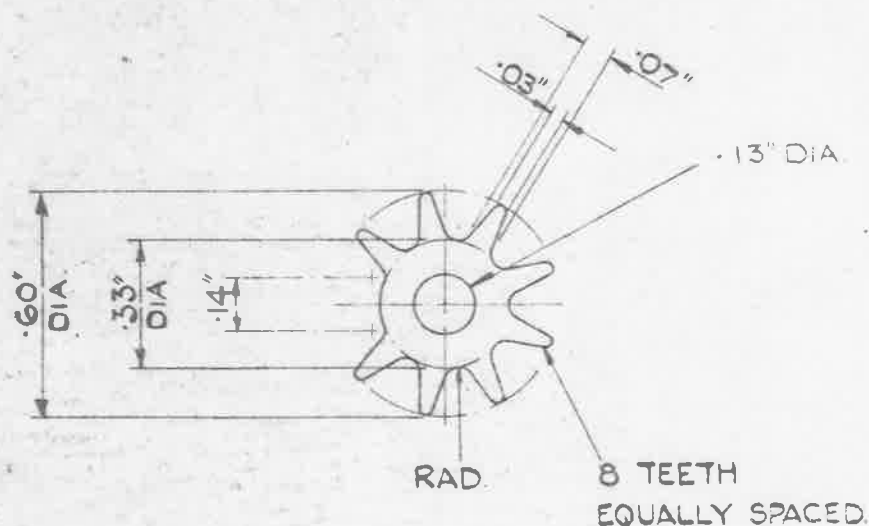
OBSOLESCE

SELECT ITEMS FROM
S.D.M (A) 256, FOR
NEW DESIGNS



LOOSE WASHER
22 S.W.G. (.028")
ONE OFF PER CABLE END.

DEVELOPMENT
OF BLANK
(NOMINAL
DIMENSIONS)



MATERIAL :- BRASS TO BS. SPEC. 265 (LATEST ISSUE) HARD ROLLED.
FINISH :- ELECTRO-TINNED, TO SPEC. D.T.D. 924 (LATEST ISSUE) OR NICKEL PLATED
TO BS. SPEC. 1224 (LATEST ISSUE) THICKNESS NOT LESS THAN .0003"

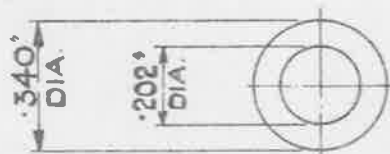
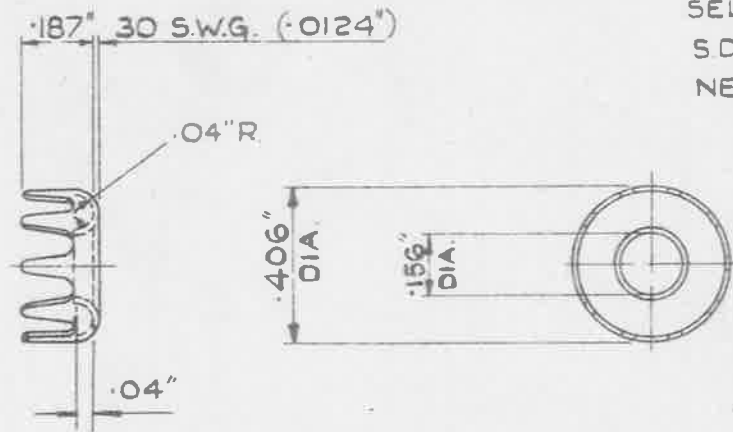
REF. NO. 5K/184.

SCALE $\frac{2}{1}$

TITLE CABLE ENDS CROWN EYE TYPE. MK. A A.	ISSUE	1					
	ALT. NO.	MOD/AGS 907					
MINISTRY OF SUPPLY APPLICATIONS FOR A.G.S. SHEETS TO :- A.T.P. 4, CHESSINGTON, SURREY. GENERAL ENQUIRIES TO :- AD/SAE, ST GILES COURT, 1-13 ST GILES HIGH STREET, LONDON W.C. 2.	R.A.E. APPROVAL		A.D. S.A.E. APPROVAL				
	SIGNATURE	DATE	SIGNATURE	DATE			
	<i>C.B. Powell</i>	4.4.52	<i>G.I. Tampion</i>	20/2/53			
	SHEET NO	2	A.G.S. NO		1691		
	NO OF SHEETS	8			SHEET 2		

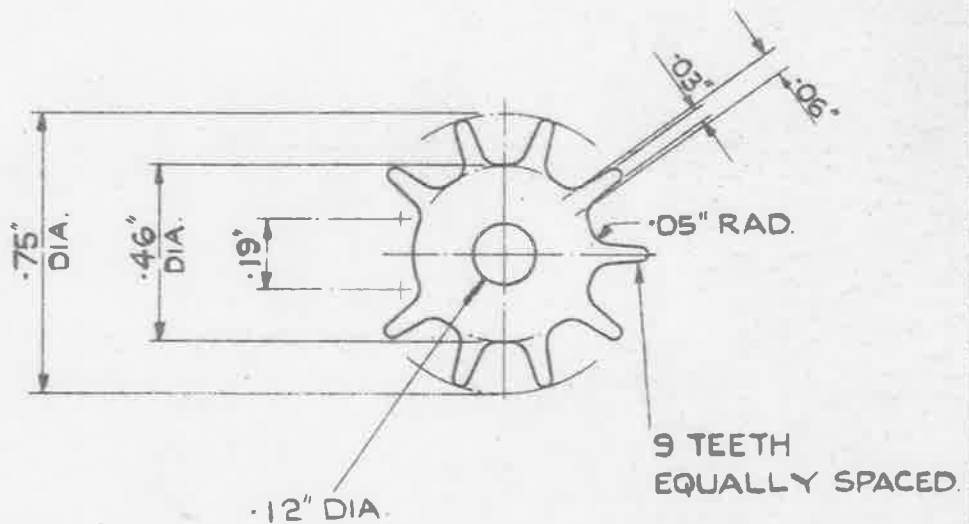
OBSOLESCENT

SELECT ITEMS FROM
S.D.M. (A) 256 FOR
NEW DESIGNS



LOOSE WASHER
22 S.W.G. (.028")
ONE OFF PER CABLE END.

DEVELOPMENT
OF BLANK
(NOMINAL
DIMENSIONS)



MATERIAL :- BRASS TO B.S. SPEC. 265 (LATEST ISSUE) HARD ROLLED.
FINISH :- ELECTRO-TINNED, TO SPEC. D.T.D. 924. (LATEST ISSUE) OR NICKEL PLATED,
TO B.S. SPEC. 1224 (LATEST ISSUE) THICKNESS NOT LESS THAN .0003"

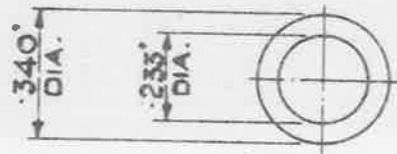
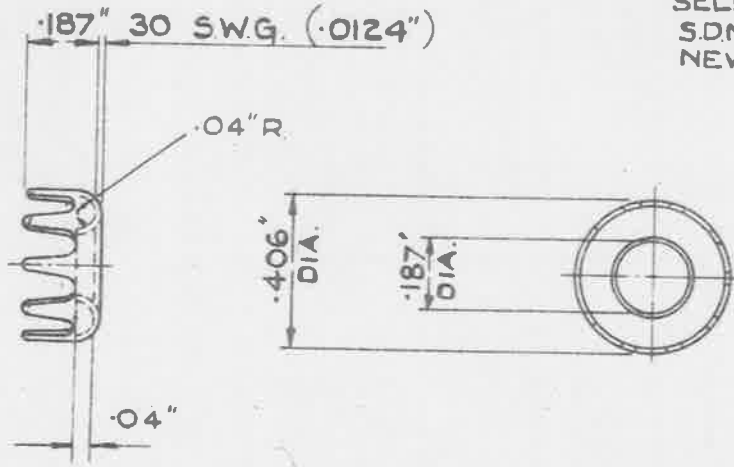
REF. No 5K/911.

SCALE :- 2/1

TITLE CABLE ENDS CROWN EYE TYPE. MK. B.	ISSUE	1					
	ALT. No	907					
MINISTRY OF SUPPLY APPLICATIONS FOR A.G.S. SHEETS TO:- ATP4, CHESSINGTON, SURREY. GENERAL ENQUIRIES TO:- AD/SAE, ST GILES COURT 1-13 ST GILES HIGH STREET, LONDON W.C.2.	R.A.E. APPROVAL			AD SAE APPROVAL			
	SIGNATURE	DATE	SIGNATURE	DATE			
	<i>C. S. Rawley</i>	4.4.52	<i>G. I. Yambler</i>	20/2/53			
	SHEET NO	3	A.G.S. No 1691				
	NO OF SHEETS	8	SHEET 3				

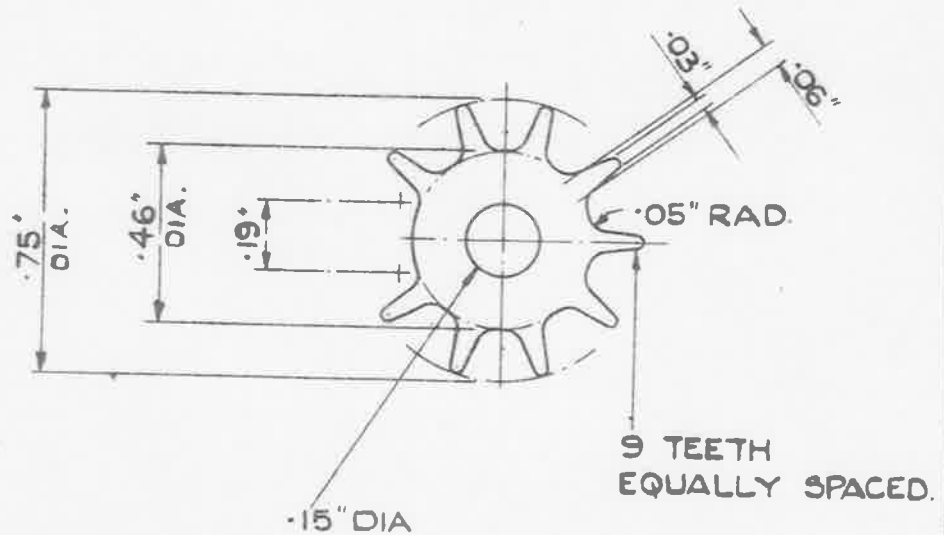
OBSOLESCE

SELECT ITEMS FROM
SDM. (A) 256, FOR
NEW DESIGNS.



LOOSE WASHER
22 SW.G. (.028")
ONE OFF PER CABLE END.

DEVELOPMENT
OF BLANK
(NOMINAL
DIMENSIONS)



MATERIAL:- BRASS TO B.S. SPEC. 265 (LATEST ISSUE) HARD ROLLED.
FINISH:- ELECTRO-TINNED, TO SPEC. D.T.D. 924 (LATEST ISSUE) OR NICKEL PLATED,
TO B.S. SPEC. 1224 (LATEST ISSUE) THICKNESS NOT LESS THAN .0003"

REF. N^o 5K/14

SCALE:- 2/1

SM 671

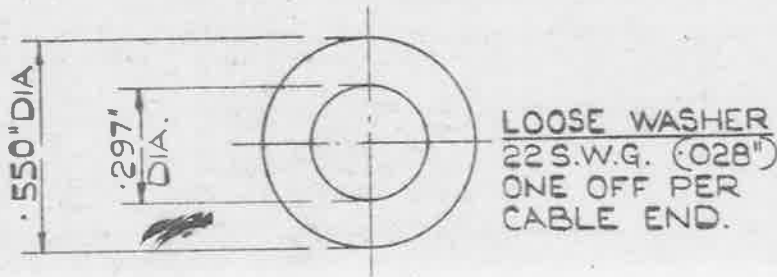
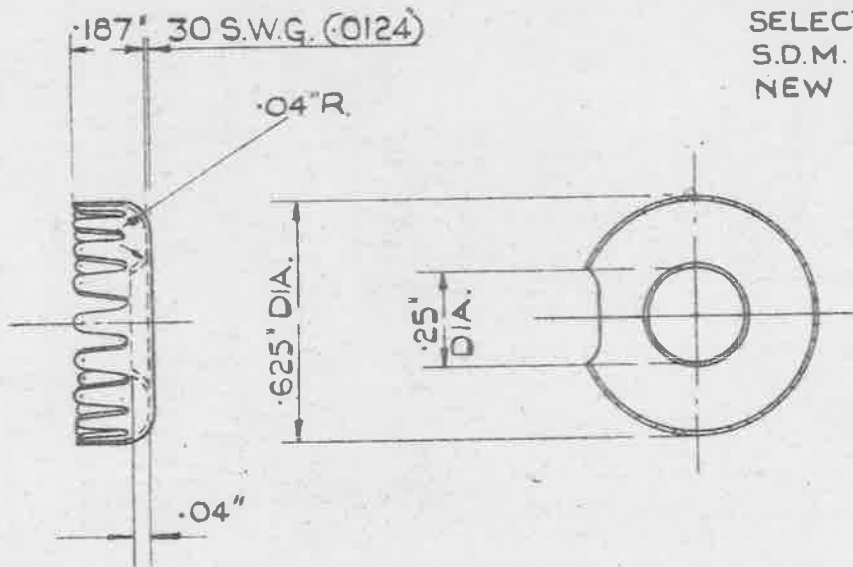
TITLE:- CABLE ENDS
CROWN EYE TYPE. MK. B.B.

ISSUE	1						
ALT. N ^o	MOD. AGS	907					
R.A.E. APPROVAL				AD. S.A.E. APPROVAL			
SIGNATURE		DATE		SIGNATURE		DATE	
<i>C.S. R...</i>		4.4.52		<i>G.T. Lawler</i>		20/2/53	
SHEET N ^o		4		A.G.S. N ^o 1691 SHEET 4			
N ^o OF SHEETS		8					

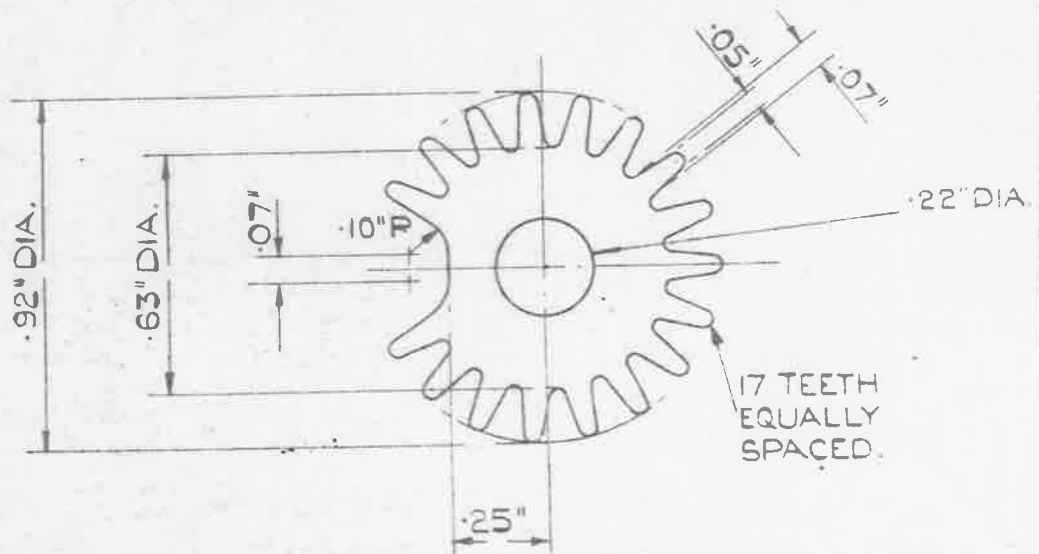
MINISTRY OF SUPPLY
APPLICATIONS FOR A.G.S. SHEETS TO:-
ATP4, CHESSINGTON, SURREY.
GENERAL ENQUIRIES TO:-
AD/SAE, ST GILES COURT 1-13 ST GILES
HIGH STREET, LONDON W.C.2.

OBSOLESCE

SELECT ITEMS FROM
S.D.M. (A) 256, FOR
NEW DESIGNS.



DEVELOPMENT
OF BLANK
(NOMINAL
DIMENSIONS)



MATERIAL:- BRASS TO B.S. SPEC. 265 (LATEST ISSUE) HARD ROLLED.
FINISH:- ELECTRO TINNED, TO SPEC. D.T.D. 924 (LATEST ISSUE) OR NICKEL
PLATED, TO B.S. SPEC. 1224 (LATEST ISSUE) THICKNESS NOT LESS THAN
.0003".

REF. No 5K/912

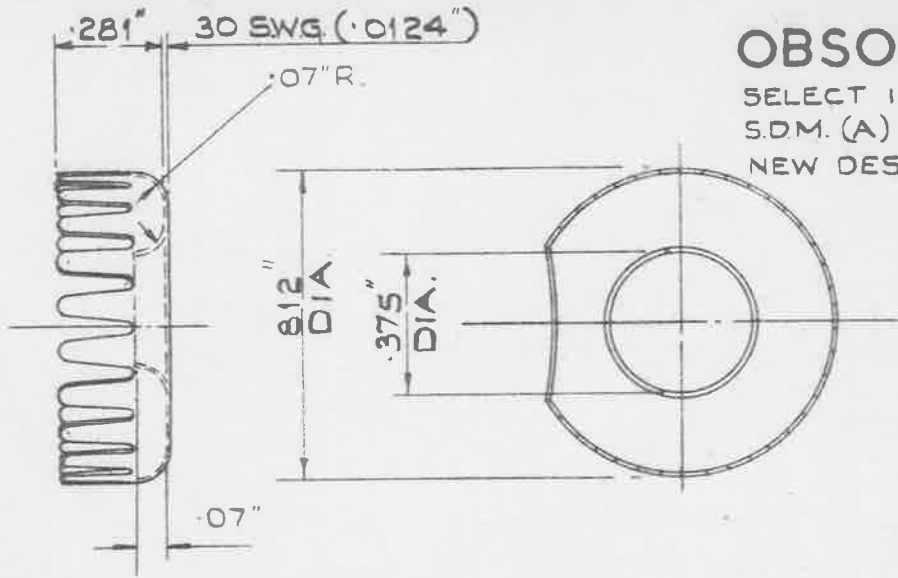
SM 671

SCALE 2/1

TITLE:- CABLE ENDS
CROWN EYE TYPE MK.C

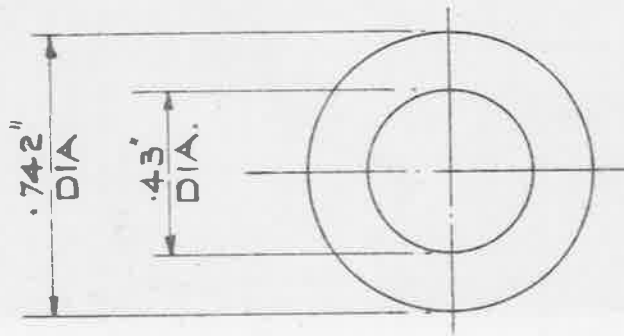
ISSUE	1				
ALT. No	MOD/AGS 307				
R.A.E. APPROVAL			AD. S.A.E. APPROVAL		
SIGNATURE	DATE	SIGNATURE	DATE		
<i>C.S.F. Lewis</i>	4.4.52	<i>G.T. Tait</i>	20/2/53		
SHEET No	5	A.G.S. No 1691		SHEET 5	
No OF SHEETS	8				

MINISTRY OF SUPPLY
APPLICATIONS FOR A.G.S. SHEETS TO:-
ATP.4, CHESSINGTON SURREY.
GENERAL ENQUIRIES TO:-
AD/S.A.E., ST GILES COURT, 1-13 ST GILES
HIGH STREET, LONDON W.C.2.



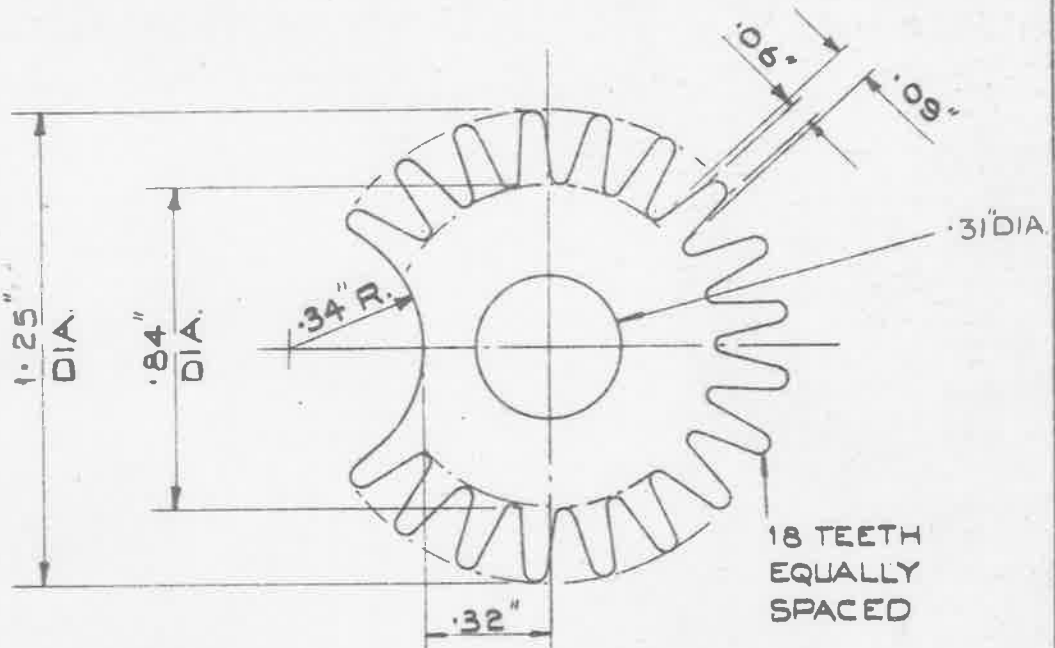
OBSOLESCE

SELECT ITEMS FROM
S.D.M. (A) 256, FOR
NEW DESIGNS.



LOOSE WASHER
22 SWG (.028")
ONE OFF PER
CABLE END

DEVELOPMENT
OF BLANK
(NOMINAL
DIMENSIONS)



18 TEETH
EQUALLY
SPACED

MATERIAL :- BRASS TO B.S. SPEC. 265 (LATEST ISSUE) HARD ROLLED
FINISH :- ELECTRO-TINNED, TO SPEC. D.T.D 924 (LATEST ISSUE) OR
NICKEL PLATED; TO B.S. SPEC. 1224 (LATEST ISSUE) THICKNESS
NOT LESS THAN .0003".

REF. NO 5K/913

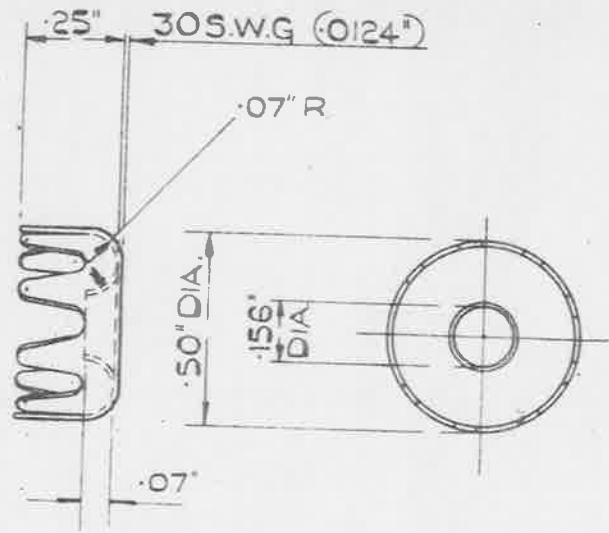
SMG71

SCALE :- 2/1

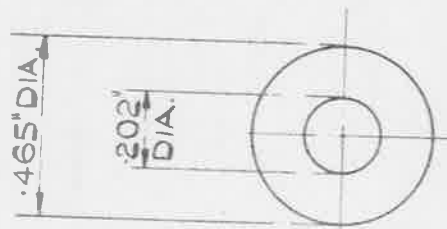
TITLE CABLE ENDS
CROWN EYE TYPE MK. D

ISSUE	1				
ALT. NO	MOOAGS 907				
R.A.E. APPROVAL			A.D.S.A.E. APPROVAL		
SIGNATURE	DATE	SIGNATURE	DATE		
<i>[Signature]</i>	4.4.52	<i>[Signature]</i>	20/2/53		
SHEET NO	6	A.G.S. No 1691			
NO OF SHEETS	8	SHEET 6			

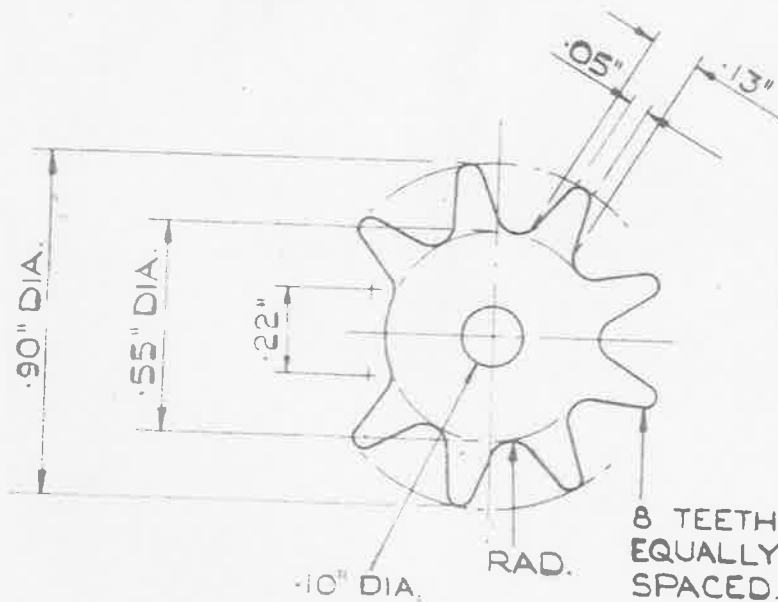
MINISTRY OF SUPPLY
APPLICATIONS FOR A.G.S. SHEETS TO:-
A.T.P.4, CHESSINGTON SURREY,
GENERAL ENQUIRIES TO:-
AD/S.A.E. ST GILES COURT, 1-13 ST GILES
HIGH STREET, LONDON W.C.2.



OBSOLESCE
 SELECT ITEMS FROM
 S.D.M (A) 256, FOR
 NEW DESIGNS



LOOSE WASHER
 22 S.W.G. (.028'')
 ONE OFF PER
 CABLE END



DEVELOPMENT
 OF BLANK
 (NOMINAL
 DIMENSIONS)

8 TEETH
 EQUALLY
 SPACED.

MATERIAL:- BRASS, TO B.S. SPEC. 265 (LATEST ISSUE) HARD ROLLED.
FINISH:- ELECTRO-TINNED, TO SPEC. D.T.D. 924 (LATEST ISSUE) OR
 NICKEL PLATED, TO B.S. SPEC. 1224 (LATEST ISSUE) THICKNESS NOT
 LESS THAN .0003".

REF. No 5K/186

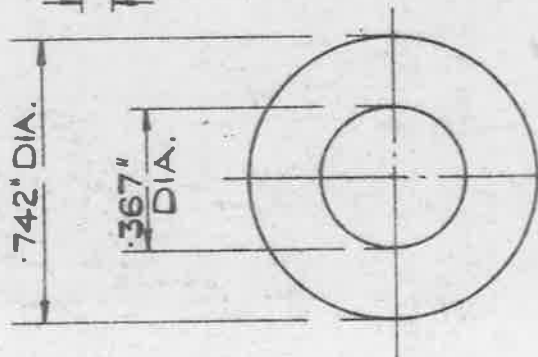
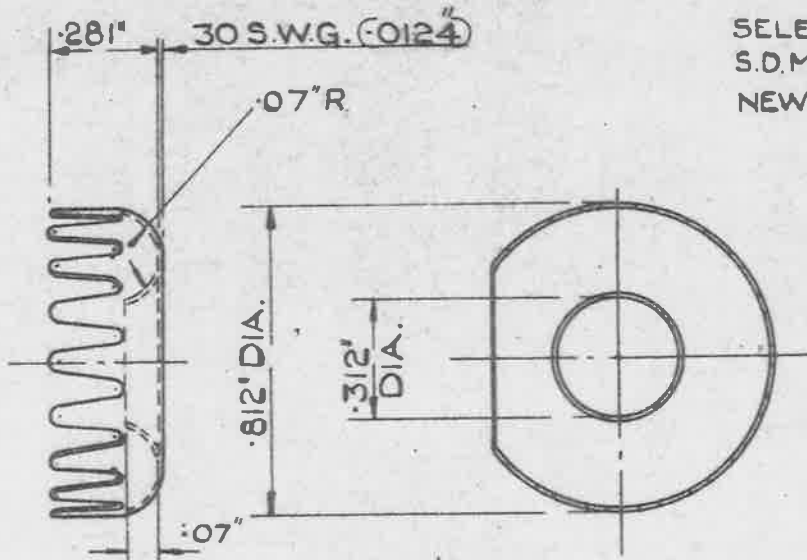
SM 671

SCALE 2/1

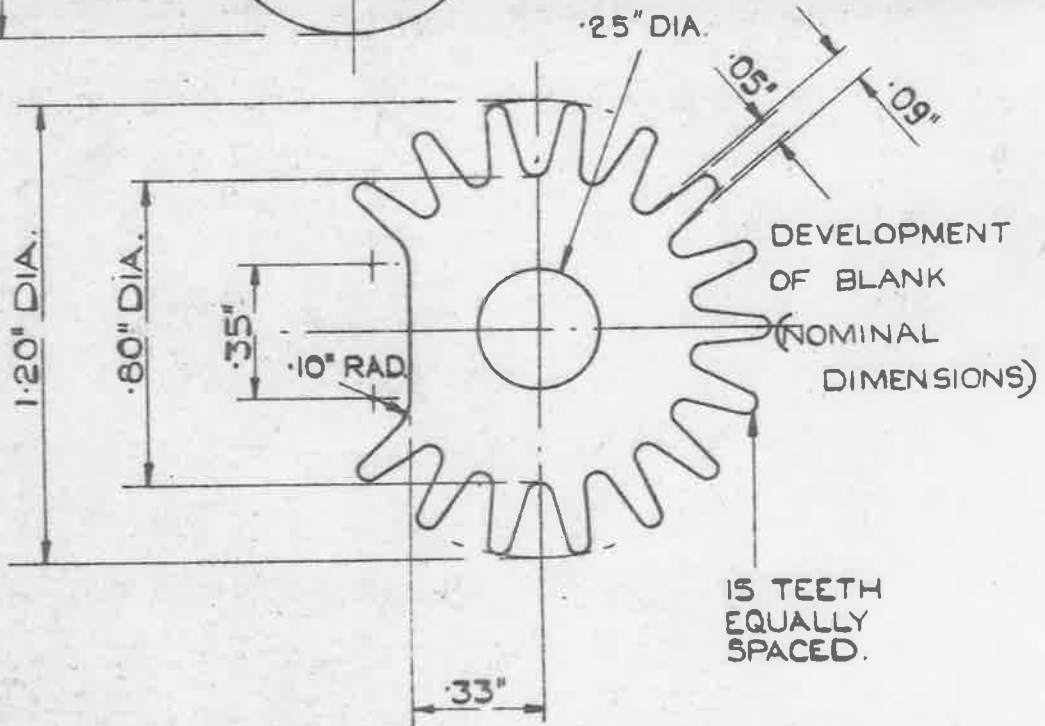
TITLE CABLE ENDS CROWN EYE TYPE. MK.E.	ISSUE	1					
	ALT. No	907					
MINISTRY OF SUPPLY APPLICATIONS FOR A.G.S. SHEETS TO ATP 4 CHESSINGTON, SURREY. GENERAL ENQUIRIES TO:- AD/SAE, ST GILES COURT 1-13 ST GILES HIGH STREET, LONDON W.C.2	R.A.E. APPROVAL		AD. S.A.E. APPROVAL				
	SIGNATURE	DATE	SIGNATURE	DATE			
	<i>C.S. R...</i>	9.4.52	<i>C.T. Yambin</i>	20/2/53			
	SHEET No	7	A.G.S. No 1691				
	No of SHEETS	8	SHEET 7				

OBSOLESCE

SELECT ITEMS FROM
S.D.M. (A) 256, FOR
NEW DESIGNS.



LOOSE WASHER.
22 S.W.G. (.028")
ONE OFF PER
CABLE END.



MATERIAL:- BRASS TO B.S. SPEC. 285 (LATEST ISSUE) HARD ROLLED.
FINISH:- ELECTRO-TINNED, TO SPEC. D.T.D. 924 (LATEST ISSUE) OR
NICKEL PLATED, TO B.S. 1224 (LATEST ISSUE) THICKNESS NOT LESS
THAN .0003"

REF. N^o 5K/2595.

SM671

SCALE 2/1

TITLE CABLE ENDS
CROWN EYE TYPE. MK. F.

ISSUE	1				
ALT. N ^o	MODS 907				
R.A.E. APPROVAL			A.D. S.A.E. APPROVAL		
SIGNATURE	DATE	SIGNATURE	DATE		
<i>[Signature]</i>	4.4.52	<i>[Signature]</i>	20/2/53		
SHEET N ^o	8	A.G.S. N ^o 1691 SHEET 8			
N ^o OF SHEETS	8				

MINISTRY OF SUPPLY
APPLICATIONS FOR A.G.S. SHEETS TO:-
A.T.P.4, CHESSINGTON, SURREY.
GENERAL ENQUIRIES TO:-
AD/SAE, ST GILES COURT, 1-13 ST GILES
HIGH STREET LONDON W.C.2.