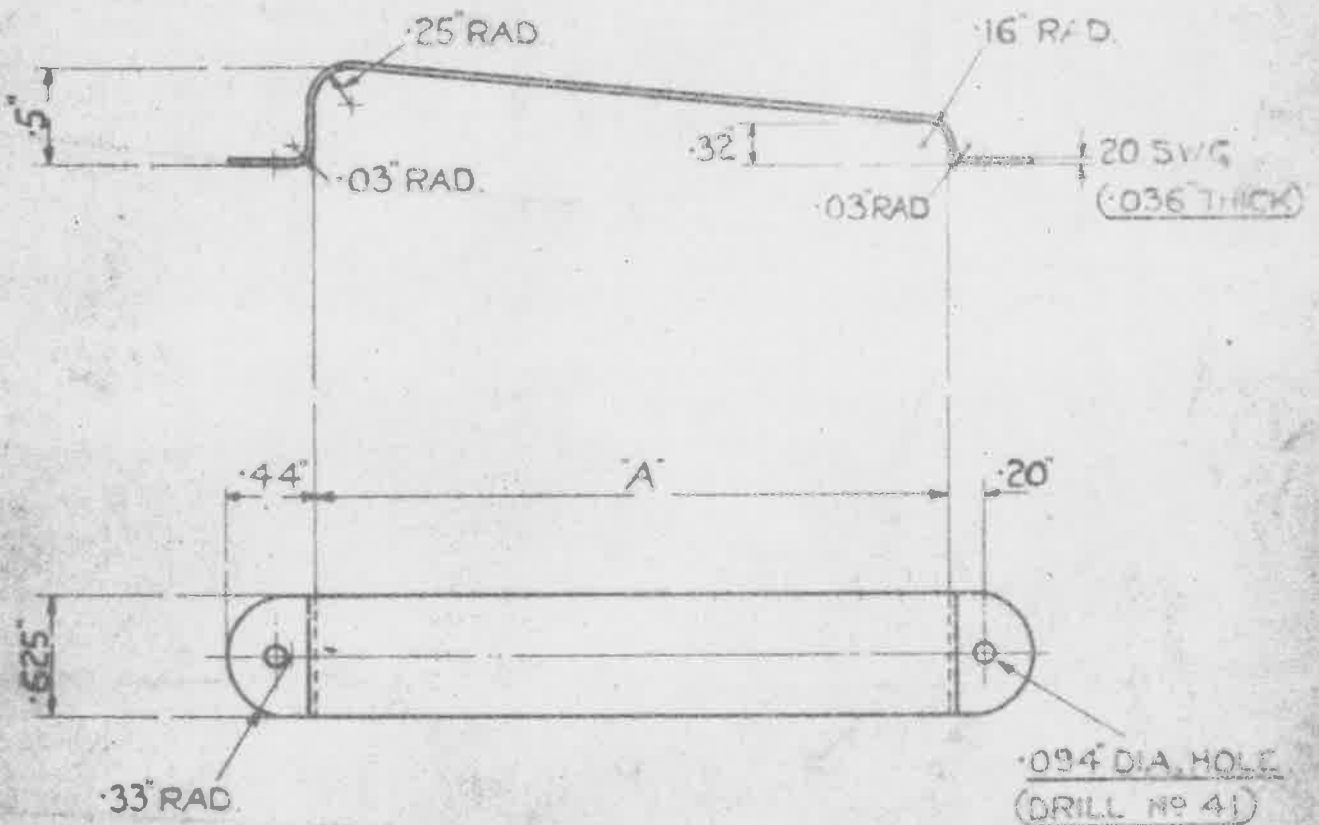


22-6-43  
788-748-183



|                        |   |        |        |        |        |        |        |        |
|------------------------|---|--------|--------|--------|--------|--------|--------|--------|
| CLEAT N <sup>o</sup> . | 1 | 2      | 3      | 4      | 5      | 6      | 7      | 8      |
| DIM. "A"               |   | .875"  | 1.375" | 1.75"  | 2"     | 2.5"   | 2.75"  | 3.125" |
| REF. N <sup>o</sup> .  |   | 5N/211 | 5N/212 | 5N/213 | 5N/214 | 5N/215 | 5N/216 | 5N/217 |

MATERIAL :- ALUMINIUM TO BS SPEC:L. 17. (LATEST ISSUE)

FINISH :- NATURAL

SCALE :- 1/4"

|   |                                       |   |   |  |                               |                                 |
|---|---------------------------------------|---|---|--|-------------------------------|---------------------------------|
| ISSUED BY THE<br>ROYAL<br>AIRCRAFT<br>ESTABLISHMENT | TITLE :-<br>CLEATS, WIRING, ALUMINIUM |   |   |  | DRAWN:<br><i>[Signature]</i>  | TRACED<br>A.C.C.<br>17-11-40    |
|   | ISSUE N <sup>o</sup>                  | 1 | 2 |  | CHECKED<br><i>[Signature]</i> | APPROVED.<br><i>[Signature]</i> |
|   | ALTER N <sup>o</sup>                  |   |   |  |                               |                                 |

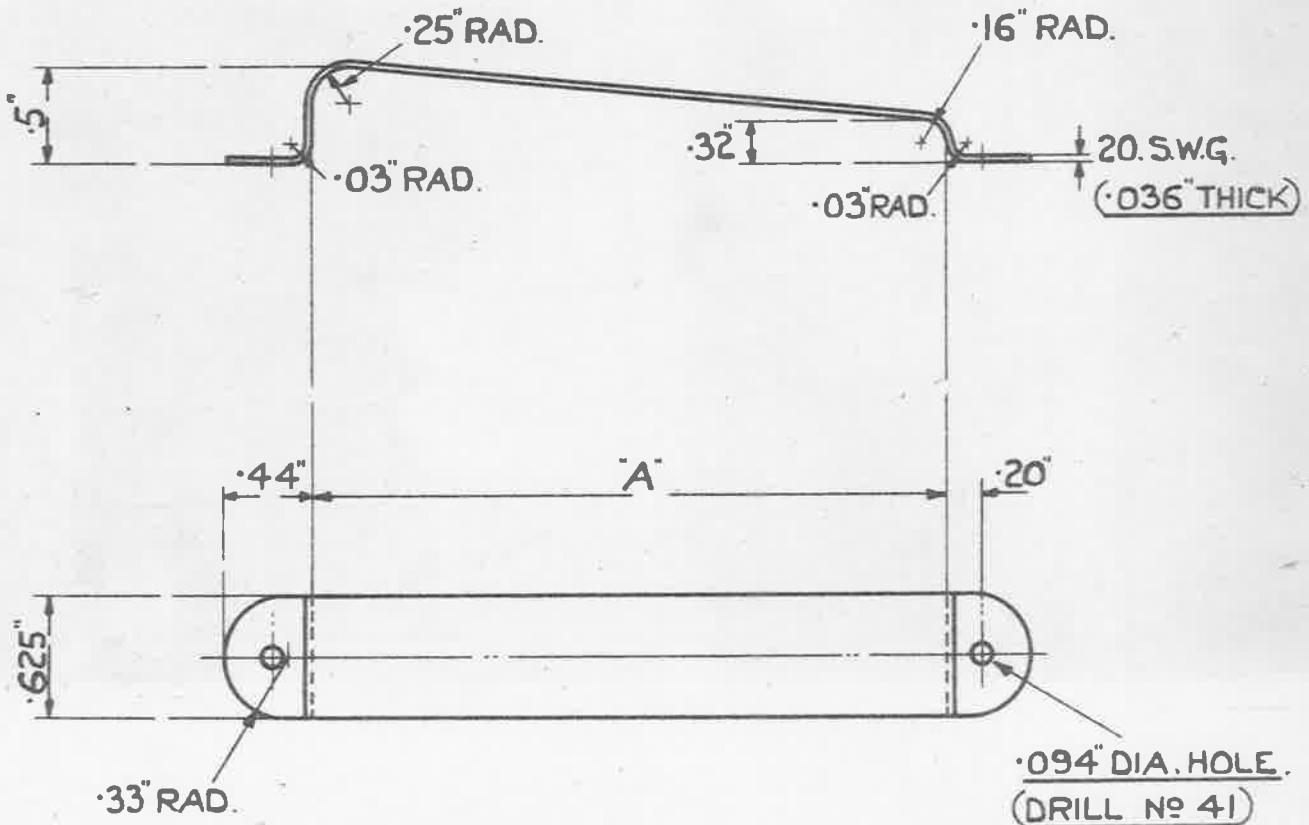
OBSOLESCE - NOT TO BE USED  
IN NEW DESIGN WORK. SEE S.D.M. 265

MINISTRY OF  
SUPPLY

AGS. No 1693

SHEET No 1

No OF SHEETS 1



|           |        |        |        |        |        |        |        |
|-----------|--------|--------|--------|--------|--------|--------|--------|
| CLEAT No. | 2      | 3      | 4      | 5      | 6      | 7      | 8      |
| DIM. "A"  | .875"  | 1.375" | 1.75"  | 2"     | 2.5"   | 2.75"  | 3.125" |
| REF: No.  | 5K/211 | 5K/212 | 5K/213 | 5K/214 | 5K/215 | 5K/216 | 5K/217 |

MATERIAL :- ALUMINIUM TO B.S. SPEC: L. 17. (LATEST ISSUE)

FINISH :- NATURAL.

SCALE :- 1/1.

ISSUED BY THE  
ROYAL  
AIRCRAFT  
ESTABLISHMENT

TITLE:-  
CLEATS, WIRING, ALUMINIUM.

ISSUE No 2 3  
ALTER No 1990 No AS/AGS MOD/AGS  
461/48 663 980  
5K/21

DRAWN.  
*J. J. Young*  
CHECKED  
*[Signature]*

TRACED  
*m. a. c.*  
17-11-40.  
APPROVED.  
*[Signature]*