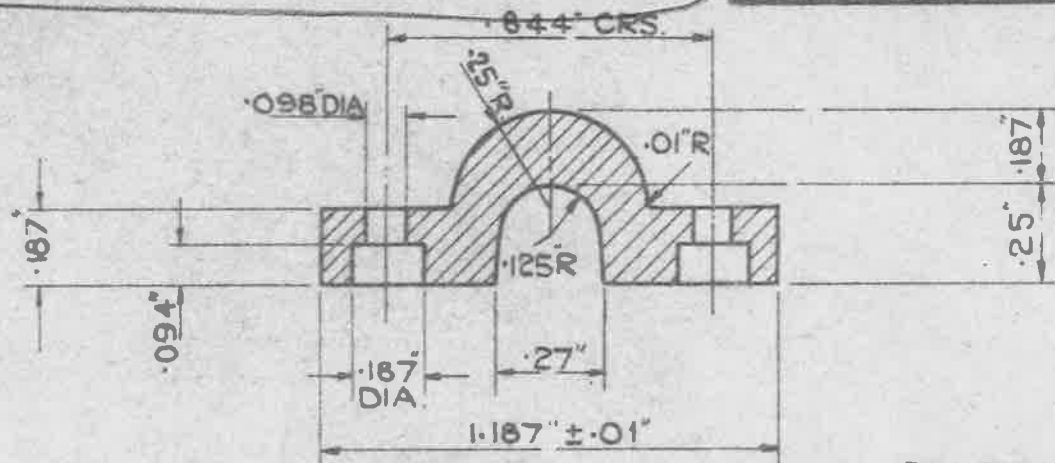


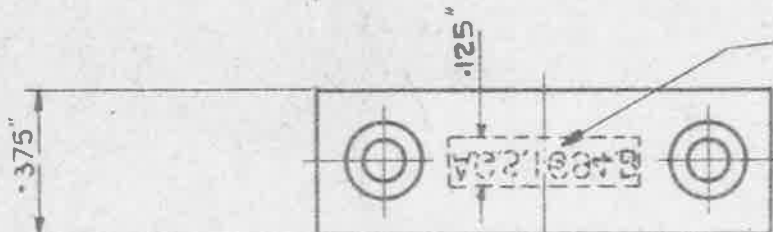
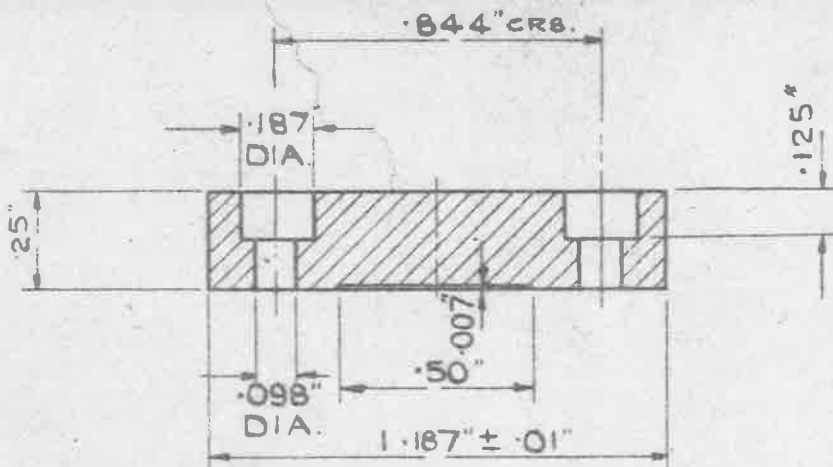
OBSOLESCE - NO FURTHER MANUFACTURE EXISTING STOCKS TO BE USED UP

SHEET No 1 | **No of SHEETS 1**



IDENTIFICATION MARKING AGS.1694.T. RAISED .003"

TOP BLOCK.



IDENTIFICATION MARKING AGS.1694 B RAISED .003"

BOTTOM BLOCK.

SCALE - 2/1

ONE OFF EACH PER CLEAT.

MOULDED MATERIAL TO SPEC. D.T.D. 451.

(LATEST ISSUE)

STORES REF:-

UNLIMITED DIMENSIONS ± .005"

MINISTRY OF SUPPLY
APPLICATION FOR A.G.S. SHEETS
TO A.T.P.4, CHESSINGTON, SURREY
GENERAL ENQUIRIES TO:-
A.O/S.A.E., ST GILES COURT,
1-13 ST GILES HIGH STREET,
LONDON, W.C.2

TITLE:-
CLEAT, WIRING, No 2.

DRAWN. G.T. Reynolds	TRACED D.E.M.P. 22/11/44
CHECKED [Signature]	APPROVED [Signature]

ISSUE No	1	2			
ALTERS No	MOD. No AGS/582	MOD. No G.S.F. SM 626			