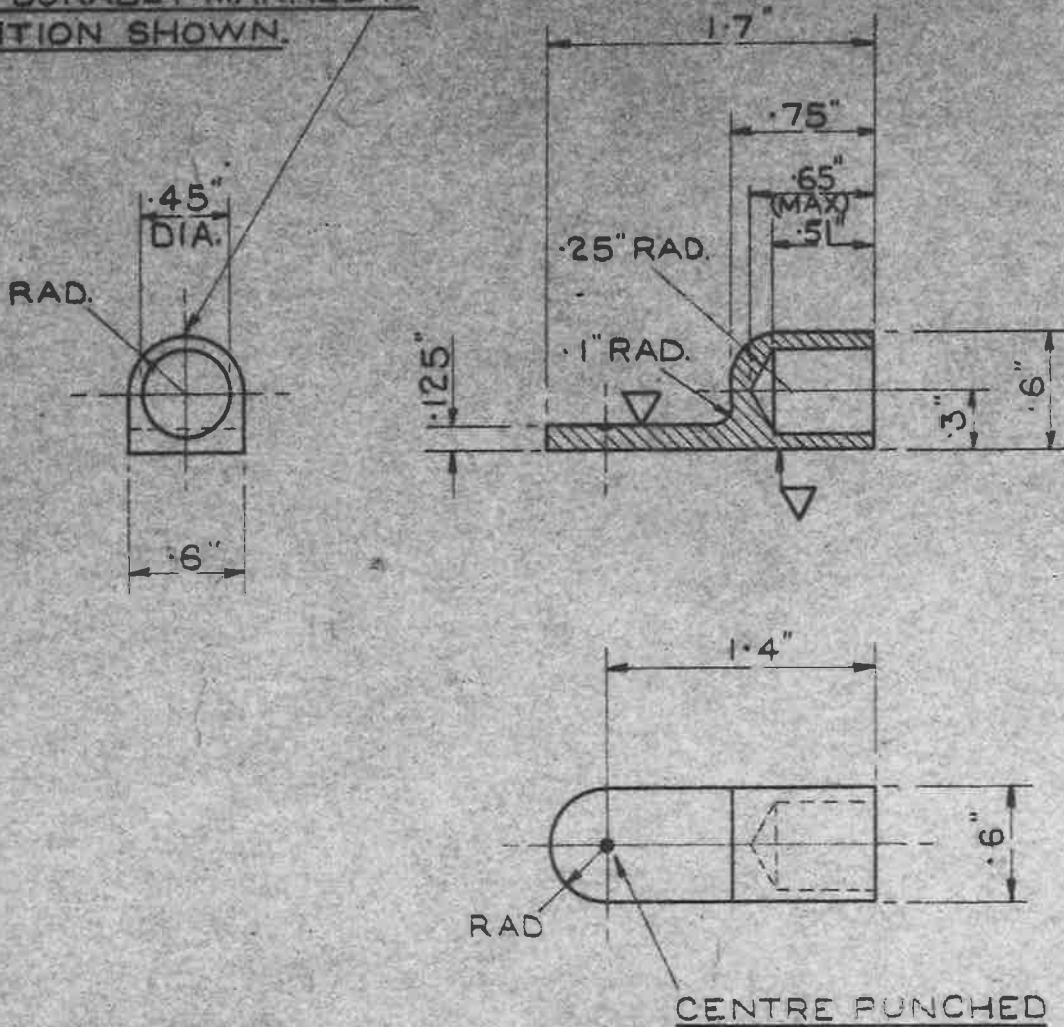


OBSOLESCE

A.G.S. 1703 TO BE LEGIBLY AND DURABLY MARKED IN POSITION SHOWN.



MACHINE WHERE MARKED ▽

MATERIAL:- BRASS TO B.S. SPEC. N° 249 (LATEST ISSUE)
OR DIE CASTING TO B.S. SPEC. N° 1400 (B4-C) (LATEST ISSUE)
OR DROP STAMPING TO B.S. SPEC. N° 218 (LATEST ISSUE)

FINISH:- ELECTRO - TIN TO SPEC. D.T.D. 924 (LATEST ISSUE)

NOTE:- THIS A.G.S. REPLACES DRG. N° E. & I. 6052-6

REF. N° 5C/850

SCALE:- FULL SIZE

TITLE:- LUG TERMINAL N° 1,	ISSUE ^{SM 344} 3				
	ALTN° ^{100/AGS} 796				
MINISTRY OF SUPPLY APPLICATIONS FOR A.G.S. SHEETS TO:- A.T.P. 4A. THAMES HOUSE, MILLBANK, S.W. 1. GENERAL INQUIRIES TO:- AD. S.A.E. THAMES HOUSE, MILLBANK, S.W. 1.	R.A.E. APPROVAL		AD. S.A.E. APPROVAL		
	SIGNATURE <i>C.B. Russell</i>	DATE 8.3.50	SIGNATURE <i>G.I. Yanton</i>	DATE 5/9/51	
	SHEET N° 1	A.G.S. N° 1703			
	N° OF SHEETS 1				