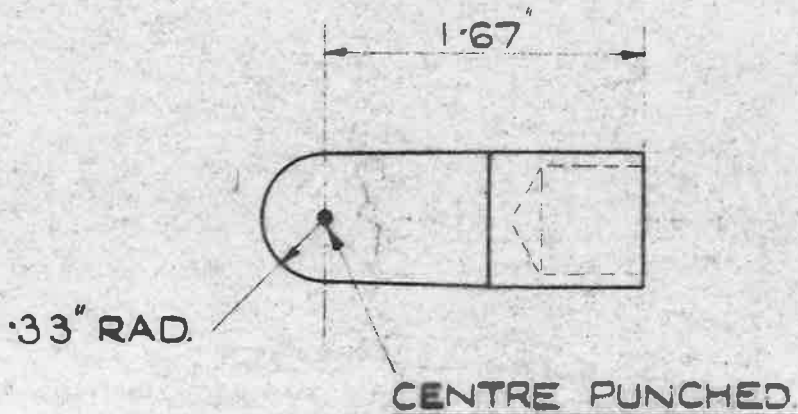
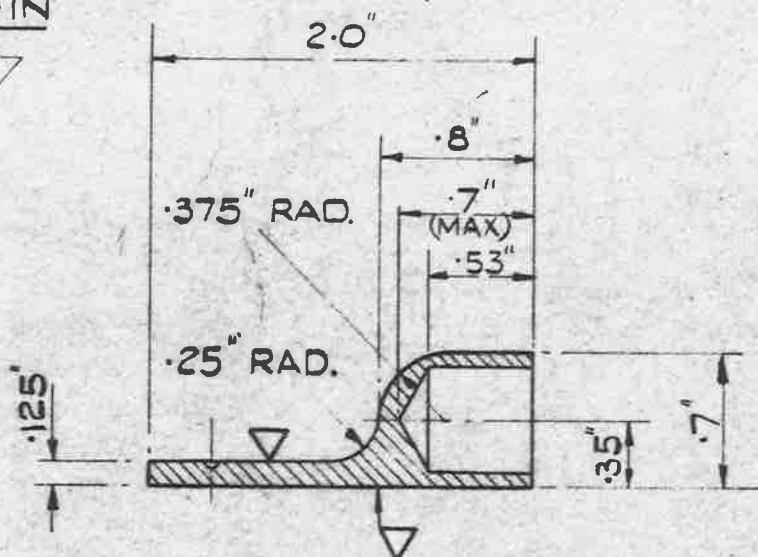
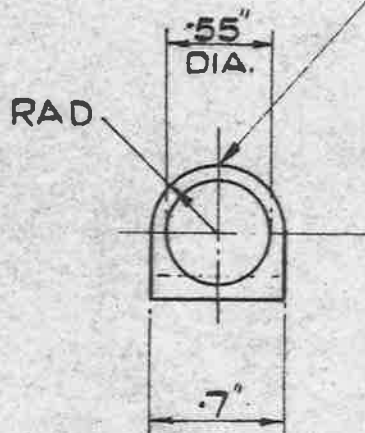


UNLIMITED DIMENSIONS $\pm .005$ "

A.G.S. 1706

OBSOLESCE

A.G.S. 1706 TO BE LEGIBLY AND DURABLY MARKED IN POSITION SHOWN.



MACHINE WHERE MARKED ▽

MATERIAL:- BRASS TO B.S. SPEC. NO 249. (LATEST ISSUE)
OR DIE CASTING TO B.S. SPEC: NO 1400(BA-C) (LATEST ISSUE)
OR DROP STAMPING TO B.S. SPEC NO 218 (LATEST ISSUE)

FINISH:- ELECTRO - TIN TO SPEC. D.T.D. 924 (LATEST ISSUE)

NOTE:- THIS A.G.S. REPLACES DRG. NO E.&I. 6052-9.

REF. NO 5C/1901

SCALE:- FULL SIZE.

TITLE:- LUG, TERMINAL No 8.	ISSUE	SM 3 449				
	ALT. NO	M007/AGS 796				
MINISTRY OF SUPPLY APPLICATIONS FOR A.G.S. SHEETS TO:- A.T.P. 4A. THAMES HOUSE, MILLBANK, S.W.1.	R.A.E. APPROVAL		AD. S.A.E. APPROVAL			
	SIGNATURE	DATE	SIGNATURE	DATE		
	<i>C. B. R...</i>	8. 3. 50	<i>G. I. Yanton</i>	5/9/51		
GENERAL INQUIRIES TO:- A.D. S.A.E. THAMES HOUSE, MILLBANK, S.W.1.	SHEET NO	1	A.G.S. NO 1706			
	NO OF SHEETS	1				